

Accessories to T-Line



See below:
[Approvals and Compliances](#)

Weblinks
[pdf datasheet](#), [html-datasheet](#), [General Product Information](#), [Distributor-Stock-Check](#), [Detailed request for product](#), [Product News](#)

Approvals and Compliances

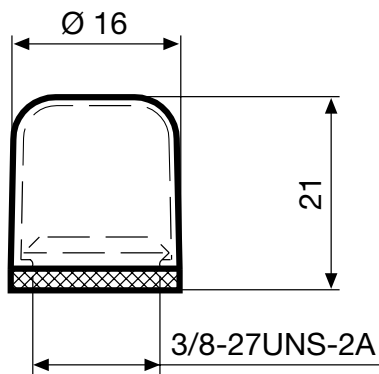
Detailed information on product approvals, code requirements, usage instructions and detailed test conditions can be looked up in [Details about Approvals](#)

Compliances

The product complies with following Guide Lines

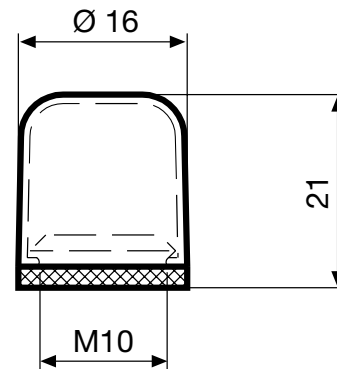
Identification	Details	Initiator	Description
REACH	REACH	SCHURTER AG	On 1 June 2007, Regulation (EC) No 1907/2006 on the Registration, Evaluation, Authorization and Restriction of Chemicals 1 (abbreviated as "REACH") entered into force.

Dimension [mm]



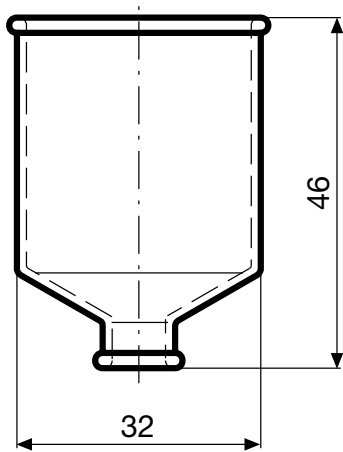
Accessories TZZ01

Protective transparent cover, degree of protection IP54



Accessories TZZ02

Protective transparent cover, degree of protection IP54



Accessories TZZ06

Protective cover rear side IP41

All Variants

Suitable for	Description	Order Number
TM12-111, TM12-112, TM12-121, TM12-122, TM12-211, TM12-212, TM12-221, TM12-222	CBE TZZ02	4400.0402
T11-211, T11-311, T11-314, T12-211, T12-212, T12-221, T12-222, T13-211, T13-212	CBE TZZ01	4400.0405
T12-111, T12-112, T12-121, T12-122, T12-211, T12-212, T12-221, T12-222, T13-211, T13-212, T13-611, T13-612, T13-671, T13-672	CBE TZZ06	4400.0428

Most Popular.

Availability for all products can be searched real-time: <https://www.schurter.com/en/Stock-Check/Stock-Check-SCHURTER>

Packaging Unit 1 Pcs