

SAIL-M12GM12W-2/4-5.0V

Weidmüller Interface GmbH & Co. KG
 Klingenbergstraße 16
 D-32758 Detmold
 Germany
 Fon: +49 5231 14-0
 Fax: +49 5231 14-292083
 www.weidmueller.com



Sensor/actuator cables are used for wiring sensors and actuators and for transmitting data or power in various applications. The moulded cable offers connected and tested connection of the plug-in connector to the cable ex-works. The cables may be exposed to a wide range of conditions, such as humidity, dust, heat, cold, shock or vibration.

Our developers have focused specifically on this issue and designed a host of different M8 and M12 sensor-actuator cables so you are bound to find the solution you need for your application.

Is there something you have not managed to find or you feel needs explanation? Talk to us!

General ordering data

Type	SAIL-M12GM12W-2/4-5.0V
Order No.	1925370500
Version	Sensor/actuator line, Connecting line, M12 / M12, No. of poles: 3, 5 m, pin, straight - socket, 90°, shielded: No, LED: No, Sheath material: PVC, Halogen: Yes
GTIN (EAN)	4032248567874
Qty.	1 pc(s).

SAIL-M12GM12W-2/4-5.0V

Weidmüller Interface GmbH & Co. KG
 Klingenbergstraße 16
 D-32758 Detmold
 Germany
 Fon: +49 5231 14-0
 Fax: +49 5231 14-292083
 www.weidmueller.com

Technische Daten

Dimensions and weights

Net weight 164 g

Technical specifications for cable

No. of poles shielded	3 No	Core cross-section	0.34 mm ²
Colour coding	Brown, Blue, Black	Insulation	PVC
Sheathing colour	Black	Sheath material	PVC
Cable length	5 m	Outer diameter	4.9 ± 0.2 mm
Temperature range, moving, max.	80 °C	Temperature range, moving, min.	-5 °C
Temperature range, stationary, max.	80 °C	Temperature range, stationary, min.	-30 °C
Suitable for cable carriers	No	Halogen	Yes
Resistant to welding beads	No	Torsion resistance	0 °/m

General technical data

Version	pin, straight - socket, 90°	Contact tube diameter	M12 / M12
Housing main material	PUR	Threaded ring material	Brass, nickel-plated
Coding	A	Protection degree	IP 65, IP 66, IP 67, IP 68, (when screwed in)
Contact surface	Gold-plated	LED	No
Rated voltage	250 V	Rated current	4 A
Insulation resistance	10 ⁸ Ω	Temperature range of housing	-25...+85 °C
Tightening torque	M12: 0.8 - 1.2 Nm	Plugging cycles	≥ 100
Pollution severity	3	jumpered	2/4

Classifications

ETIM 3.0	EC001855	UNSPSC	26-12-16-13
eClass 5.1	27-06-91-90	eClass 6.2	27-27-92-18
eClass 7.1	27-06-91-90		

Approvals

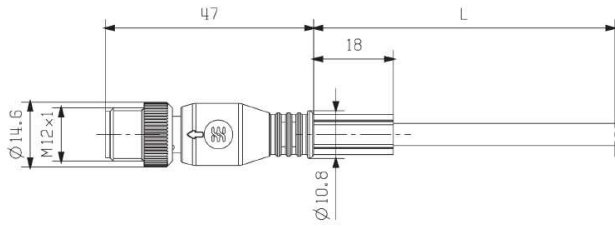
ROHS Conform

SAIL-M12GM12W-2/4-5.0V

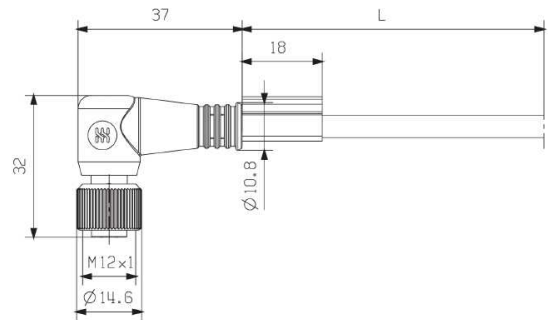
Weidmüller Interface GmbH & Co. KG
 Klingenbergstraße 16
 D-32758 Detmold
 Germany
 Fon: +49 5231 14-0
 Fax: +49 5231 14-292083
 www.weidmueller.com

Zeichnungen

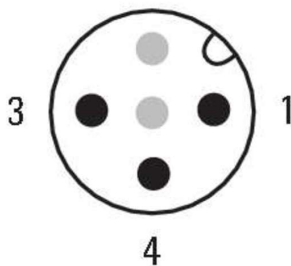
Dimensioned drawing



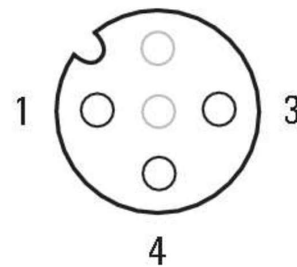
Dimensioned drawing



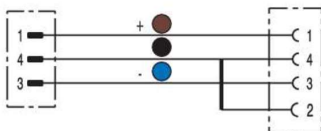
Pole scheme



Pole scheme



Wiring diagram



The ideal tool, the Screwty[®] with torque function



Light, securely screwed-in round plug-in connectors. Screwty set DM / VPE: 1 / Order No.: 1920000000 Adapters: M12, M12 F, M8, M8 F