

**TECHNICAL SPECIFICATIONS**

**D-Sub Hood:**

Material: UL 94 V-0 Plastic Material  
 Operating Temperature: -55°C to +110°C  
 Cable Entry: Top  
 Thumbscrews: UNC 4-40 (Standard)  
 Cable O.D: Up to 11,5mm  
 Colour: Black

**High Density D-Sub Solder Cup:**

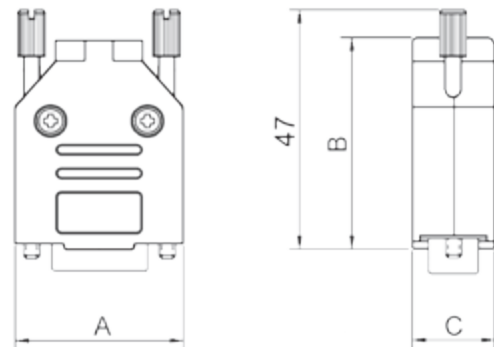
Insulator: Glass filled TP, UL94 V-0  
 Shell: Steel, Tin Plated  
 Contact pins: Copper Alloy  
 Gold Flash over Ni.  
 Stamped & Formed Pins: Class 3, 100 inserts min.  
 Contact Plating: Gold flash over Nickel  
 Operating Temperature: -55°C to +85°C  
 Withstanding voltage: >1000V Rms to 50 Hz  
 for 1 minute  
 Current Rating: 3A  
 Insulator resistance: >5000MΩ min.



...with Connectors from:  
**Amphenol**

**Features:**

- Available in sizes HD 15-26-44-62
- Strain relief inserts ensure a secure termination
- Re-openable



Grommet Sizes DTPK-P:



Size DTPK-P	Dim A	Dim B	Dim C
9-way	31,2	39,9	15,0
15-way	39,5	41,5	15,0
25-way	53,4	48,6	15,0
37-way	69,7	53,6	15,0

**Ordering information:**

*High Density D-Sub Connector Kits*

Size:	P/N - Kitted:	Product Code - MALE Conn. Kit
HD 15	6355-5005-01	DTPK-P-09+L717HDE15P
HD 26	6355-5005-02	DTPK-P-15+L717HDA26P
HD 44	6355-5005-03	DTPK-P-25+L717HDB44P
HD 62	6355-5005-04	DTPK-P-37+L717HDC62P

Size:	P/N - Kitted:	Product Code - FEMALE Conn. Kit
HD 15	6355-5005-11	DTPK-P-09+L77HDE15S
HD 26	6355-5005-12	DTPK-P-15+L77HDA26S
HD 44	6355-5005-13	DTPK-P-25+L77HDB44S
HD 62	6355-5005-14	DTPK-P-37+L77HDC62S



**Encitech AB**  
 Rörkullsvägen 4  
 SE-302 41 HALMSTAD, Sweden

Tel.: +46-(0)35-15 13 90  
 Fax: +46-(0)35-15 13 99

**www.encitech.com**