



Model Number

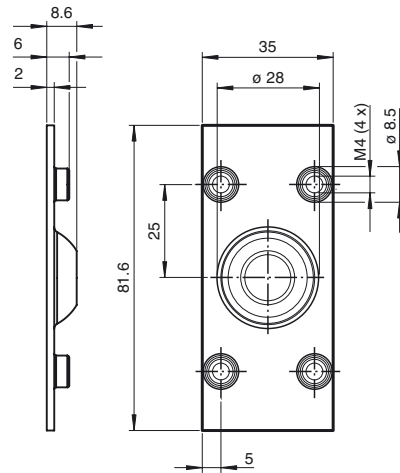
OMH-RL31-04

Mounting aid for round steel \varnothing 12 mm or sheet 1.5 mm ... 3 mm

Features

- Mounting bracket
- Simple and fast mounting

Dimensions



Technical data

Mechanical specifications

Material	Metal sheet (steel), zinc plated
Mass	approx. 60 g

Suitable series

Series	Series 31
--------	-----------