



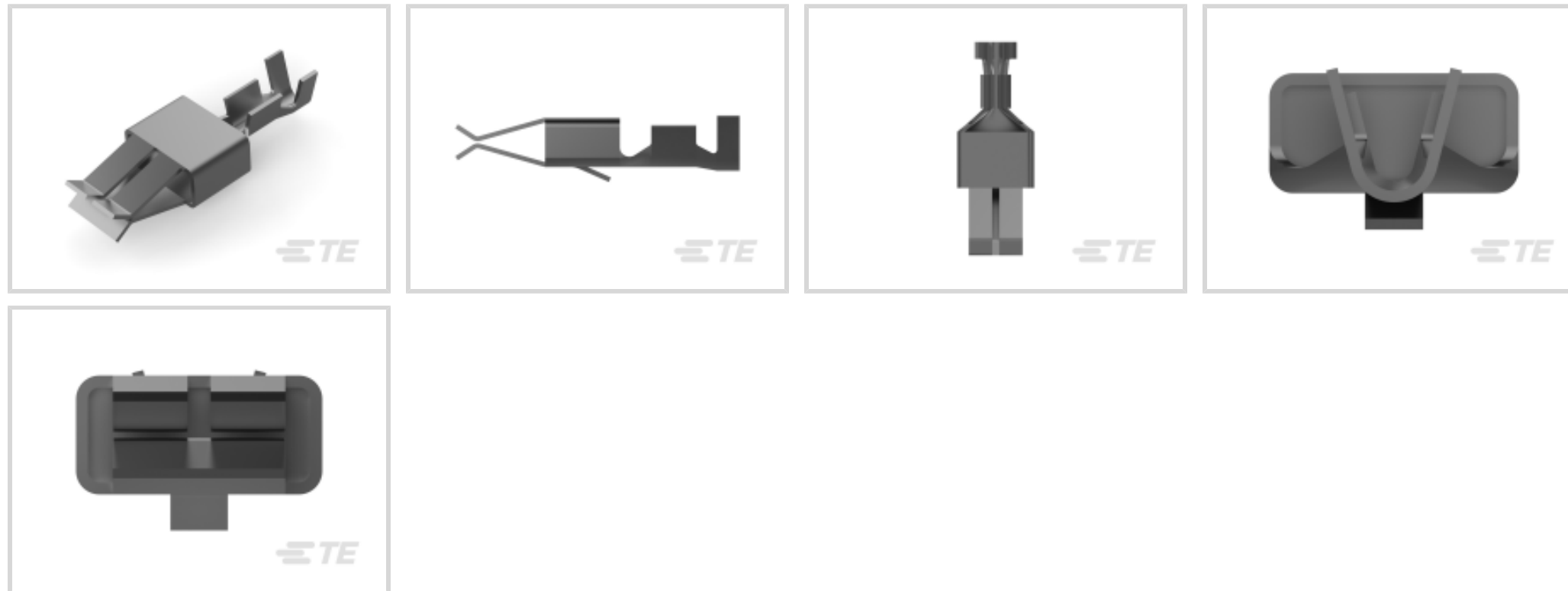
RAST

TE Internal #: 928820-1

Automotive Terminals, Receptacle, Tab Width 5.8 mm [.228 in], Tab Thickness .031 in [.8 mm], Terminal Transmits 0 – 24 A (Low Power)

[View on TE.com >](#)

Terminals & Splices > Automotive Terminals > TIMER, RECEPTACLE AND TAB



Terminal & Splice Type: **Receptacle**  
 Mating Tab Width: **5.8 mm [.228 in]**  
 Mating Tab Thickness: **.8 mm [.031 in]**  
 Terminal Transmits: **0 – 24 A (Low Power)**  
 Wire Size: **20 – 17 AWG**

[All TIMER, RECEPTACLE AND TAB \(354\)](#)

**Features**

**Product Type Features**

Sealable	No
Primary Locking Feature	Locking Lance
Automotive Terminal Wire Type	Copper

**Contact Features**

Crimp Type	F-Crimp
Terminal & Splice Type	Receptacle
Mating Tab Width	5.8 mm [.228 in]
Mating Tab Thickness	.8 mm [.031 in]
Automotive Terminal Interface Plating	Tin (Sn)

**Termination Features**

Automotive Terminal Termination Method	Crimp
--	-------

**Dimensions**

Wire Size	.5 – 1 mm <sup>2</sup>
-----------	------------------------



## Usage Conditions

Operating Temperature (Max)	105 °C[221 °F]
Operating Temperature Range	-55 – 105 °C[-67 – 221 °F]

## Other

Terminal Transmits	0 – 24 A (Low Power)
--------------------	----------------------

## Product Compliance

[For compliance documentation, visit the product page on TE.com>](#)

EU RoHS Directive 2011/65/EU	Compliant
EU ELV Directive 2000/53/EC	Compliant
China RoHS 2 Directive MIIT Order No 32, 2016	No Restricted Materials Above Threshold
EU REACH Regulation (EC) No. 1907/2006	Current ECHA Candidate List: JAN 2021 (211) Candidate List Declared Against: JAN 2021 (211) Does not contain REACH SVHC
Halogen Content	Low Halogen - Br, Cl, F, I < 900 ppm per homogenous material. Also BFR/CFR/PVC Free
Solder Process Capability	Not applicable for solder process capability

### Product Compliance Disclaimer

This information is provided based on reasonable inquiry of our suppliers and represents our current actual knowledge based on the information they provided. This information is subject to change. The part numbers that TE has identified as EU RoHS compliant have a maximum concentration of 0.1% by weight in homogenous materials for lead, hexavalent chromium, mercury, PBB, PBDE, DBP, BBP, DEHP, DIBP, and 0.01% for cadmium, or qualify for an exemption to these limits as defined in the Annexes of Directive 2011/65/EU (RoHS2). Finished electrical and electronic equipment products will be CE marked as required by Directive 2011/65/EU. Components may not be CE marked. Additionally, the part numbers that TE has identified as EU ELV compliant have a maximum concentration of 0.1% by weight in homogenous materials for lead, hexavalent chromium, and mercury, and 0.01% for cadmium, or qualify for an exemption to these limits as defined in the Annexes of Directive 2000/53/EC (ELV). Regarding the REACH Regulation, the information TE provides on SVHC in articles for this part number is based on the latest European Chemicals Agency (ECHA) 'Guidance on requirements for substances in articles' posted at this URL: <https://echa.europa.eu/guidance-documents/guidance-on-reach>

## Compatible Parts



### Customers Also Bought



### Documents



**Product Drawings**

**STD TIMER CONTACT**

English

---

**CAD Files**

**3D PDF**

3D

**Customer View Model**

[ENG\\_CVM\\_CVM\\_928820-1\\_B.2d\\_dxf.zip](#)

English

**Customer View Model**

[ENG\\_CVM\\_CVM\\_928820-1\\_B.3d\\_igs.zip](#)

English

**Customer View Model**

[ENG\\_CVM\\_CVM\\_928820-1\\_B.3d\\_stp.zip](#)

English

By downloading the CAD file I accept and agree to the [Terms and Conditions](#) of use.

---

**Datasheets & Catalog Pages**

**Timer Interconnection System**

English

[1654742\\_HOUSEHOLD\\_APPLIANCES\\_RAST5](#)

English

---

**Product Specifications**

**Application Specification**

German

**Application Specification**

English

**Application Specification**

English

---

**Product Environmental Compliance**

[MD\\_928820-1\\_10262017443\\_dmtec](#)

English

[MD\\_928820-1\\_10262017443\\_dmtec](#)

English

---

**Agency Approvals**

**Agency Approval Document**

English