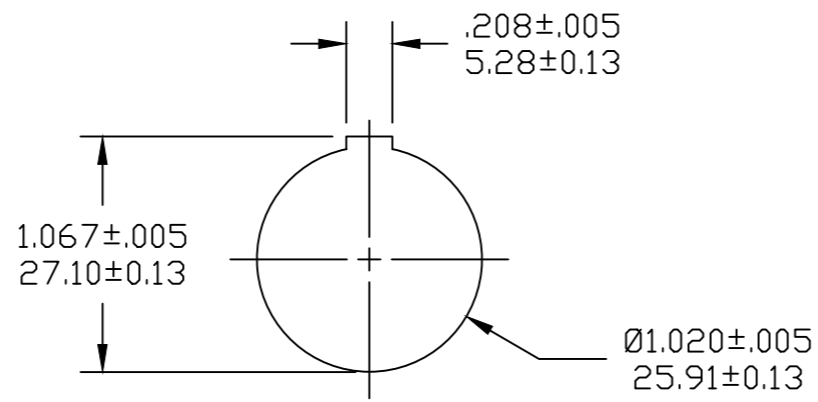
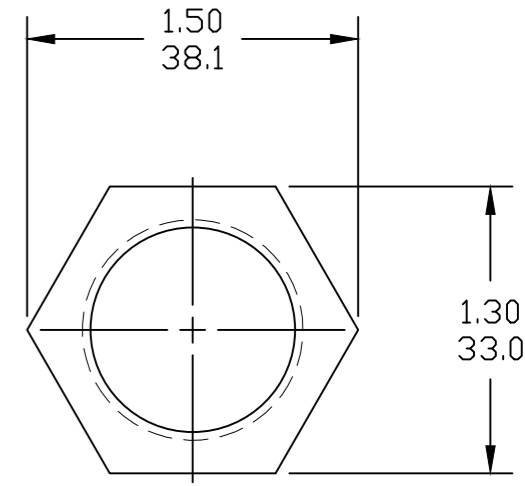
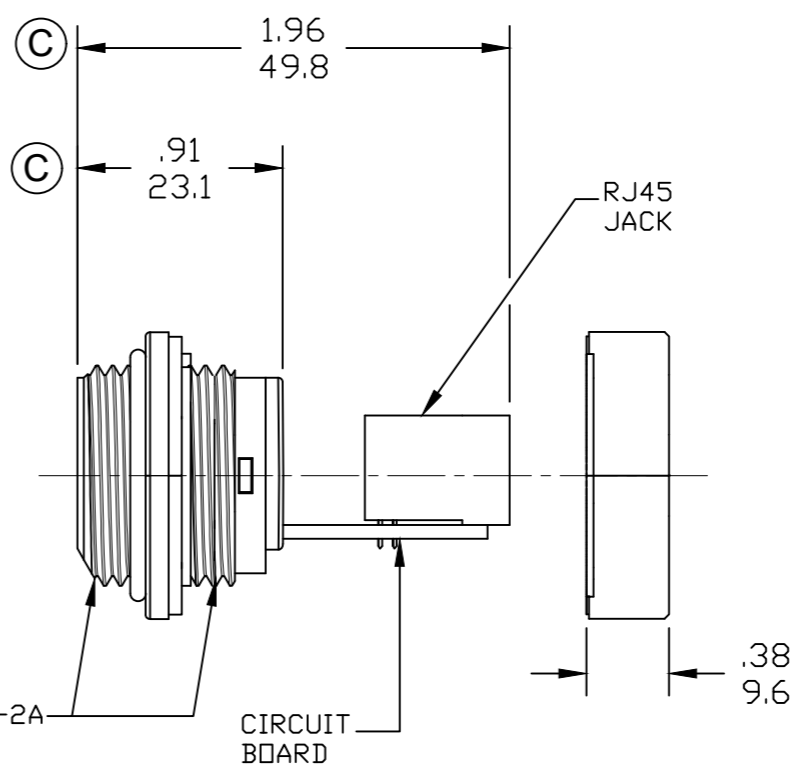
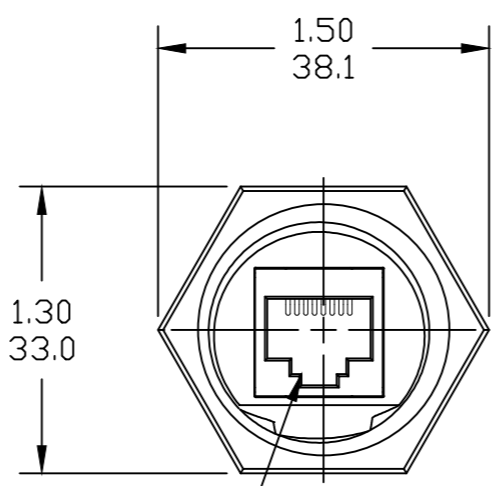
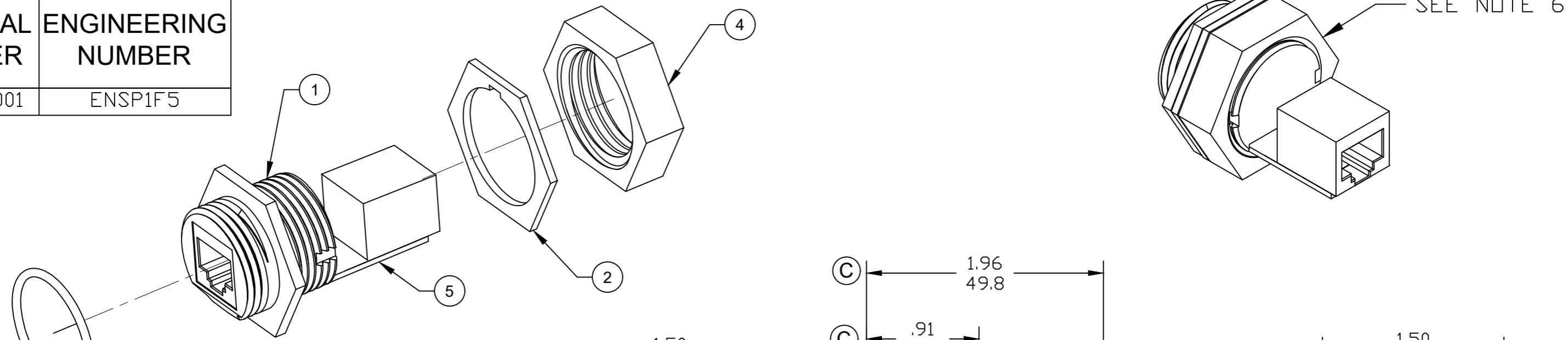


MATERIAL NUMBER	ENGINEERING NUMBER
1300550001	ENSP1F5



SUGGESTED PANEL CUT OUT
 PANEL THICKNESS:
 .062 MIN.
 .125 MAX WITH GASKET
 .187 MAX WITHOUT GASKET

- NOTES:
- MATERIAL: AS NOTED
 - FINISH: AS NOTED
 - ELECTRICAL:
VOLTAGE: 125V DC
CURRENT: 1.5A
 - TEMP RATING: -20°C TO +80°C
 - PROTECTION: IP67 (WHEN MATED)
 - PART IS PACKED FULLY ASSEMBLED
 - ALL DIMS ARE FOR REFERENCE UNLESS TOLERANCED OR NOTED OTHERWISE

5	RJ45 PCB SUB-ASSY	CU ALLOY/PCB	
4	LOCK NUT	ABS	BLACK
3	O-RING	VITON	BROWN
2	GASKET	NITRILE	BLACK
1	RECEPTACLE HOUSING	ABS	BLACK
ITEM	DESCRIPTION	MATERIAL	FINISH

FUNCTIONAL SYMBOLS		THIS DRAWING CONTAINS INFORMATION THAT IS PROPRIETARY TO MOLEX ELECTRONIC TECHNOLOGIES, LLC AND SHOULD NOT BE USED WITHOUT WRITTEN PERMISSION		CURRENT REV DESC: UPDATE PER LATEST DOC STD. REV-NOTES, UPDATE BORDER, ADD PANEL CUTOUT .91 WAS .93, 1.96 WAS 1.95	
$F=0$	INCH/MM	SCALE	1:1	EC NO: 643812	
$E=0$	GENERAL TOLERANCES (UNLESS SPECIFIED)		DRWN: RSTONE 2020/08/17		
$P=0$	4 PLACES	±----	±----	CHK'D: ALEON01 2020/08/25	
DIVISIONAL SYMBOLS	3 PLACES	±----	±----	APPR: BWOODMAN 2020/08/27	
	2 PLACES	±----	±----	INITIAL REVISION:	
	1 PLACE	±----	±----	DRWN: MZIELINS 2016/04/26	
	0 PLACES	±----	±----	APPR: BWOODMAN 2016/05/09	
	ANGULAR TOL ± ---- °		THIRD ANGLE PROJECTION		
DRAFT WHERE APPLICABLE MUST REMAIN WITHIN DIMENSIONS		DRAWING		SERIES	MATERIAL NUMBER
		B-SIZE		130055	CUSTOMER
				GENERAL MARKET	SHEET NUMBER
					1 OF 1

molex

RJ-LYNX RJ45 ETHERNET PASS THRU FEMALE RECEPTACLE, SHIELDED

PRODUCT CUSTOMER DRAWING

DOCUMENT NUMBER: SD-130055-017
DOC TYPE: PSD
DOC PART: 001
REVISION: C