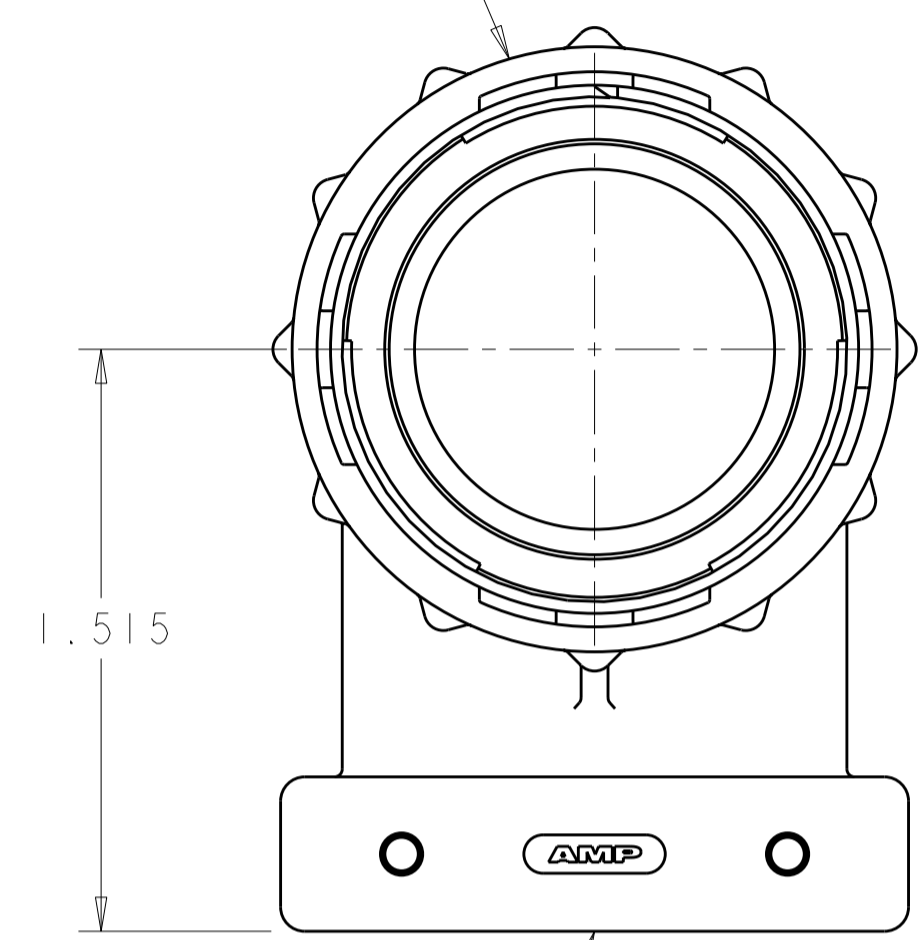


THIS DRAWING IS UNPUBLISHED. RELEASED FOR PUBLICATION
 © COPYRIGHT 20 BY TYCO ELECTRONICS CORPORATION. ALL RIGHTS RESERVED.

LOC	DIST	REVISIONS			
P	LTR	DESCRIPTION	DATE	DWN	APVD
FT	0	B	REVISED PER ECO-09-009260	07MAY2009	HMR MS

COUPLING RING
 NYLON, COLOR:BLACK

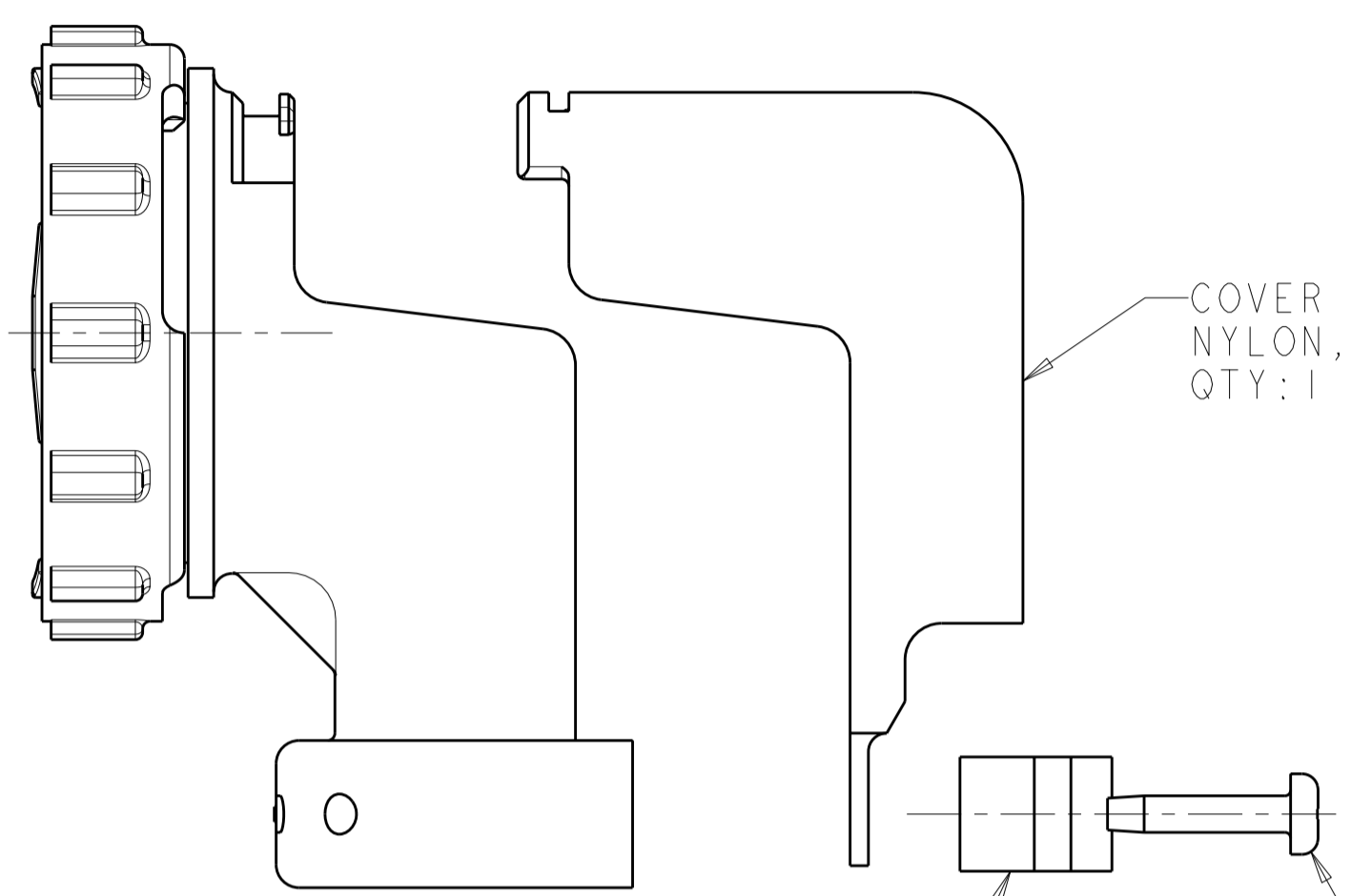
FLAT RING



1.515

CABLE CLAMP BODY
 NYLON, COLOR:BLACK

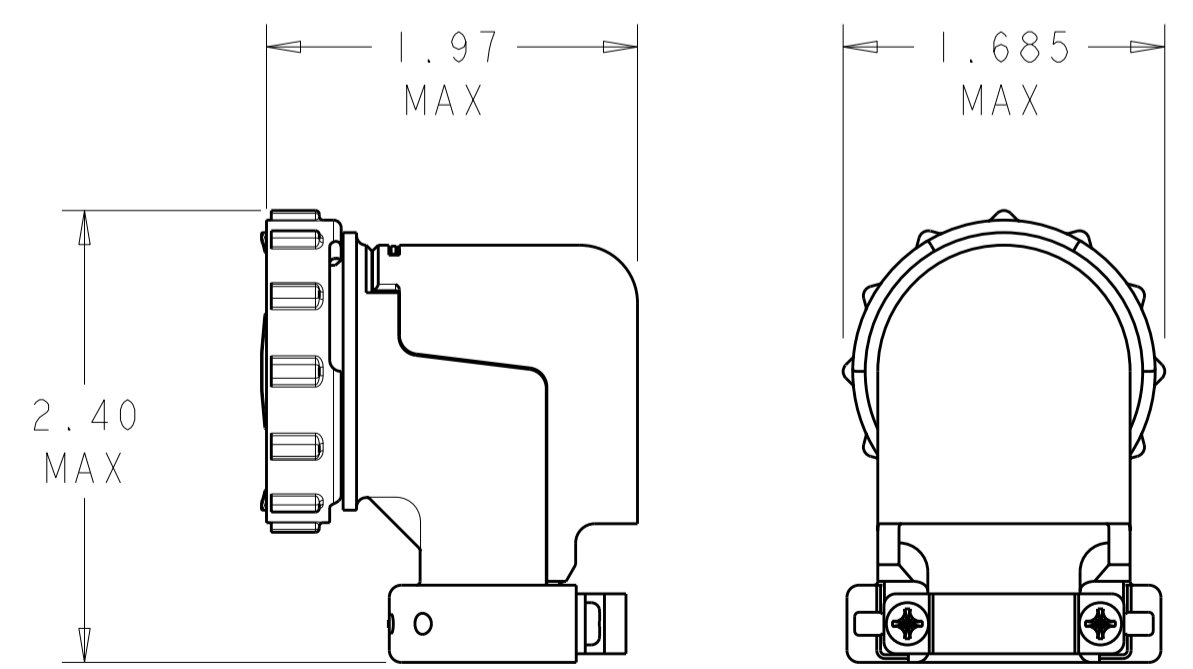
COVER
 NYLON, COLOR:BLACK
 QTY:1



CABLE CLAMP INSERT
 NYLON, COLOR:BLACK
 QTY:2

5-20 SELF TAPPING SCREW
 MATERIAL: STEEL
 FINISH:
 QTY:2

- ① SELF TAPPING SCREWS AND CABLE CLAMP INSERTS PACKAGED UNASSEMBLED.
- ② CLAMPING AREA ADJUSTABLE TO .703 O.D. MAX CABLE. CABLE CLAMP INSERTS CAN BE ADJUSTED BY INVERTING OR CHANGING CABLE CLAMP INSERT.
- ③ SCREW FINISH ZINC WITH NON HEXAVALENT CHROMATE.



ASSEMBLED VIEW
 SCALE: 1:1

1546350-2
1546350-1
PART NUMBER

THIS DRAWING IS A CONTROLLED DOCUMENT FOR TYCO ELECTRONICS CORPORATION IT IS SUBJECT TO CHANGE AND THE CONTROLLING ENGINEERING ORGANIZATION SHOULD BE CONTACTED FOR THE LATEST REVISION.		DWN S. WELDON 13AUG2002	AMP Incorporated Harrisburg, PA 17105-3608	
DIMENSIONS: INCHES		CHK S. HEADER 13AUG2002	NAME CABLE CLAMP KIT, UNASSEMBLED, R/A, W/COVER, SIZE 23, CPC	
TOLERANCES UNLESS OTHERWISE SPECIFIED: 0 PLC ± 1 PLC ± 2 PLC ± 3 PLC ±0.005 4 PLC ± ANGLES ± FINISH		APVD S. HEADER 13AUG2002	RESTRICTED TO	
MATERIAL		PRODUCT SPEC	SIZE A200779	CAGE CODE C-1546350
		APPLICATION SPEC	DRAWING NO 1546350-2	SHEET OF REV B
		WEIGHT	SCALE 2:1	
		CUSTOMER DRAWING		