




Encoder accessories

 Encoder accessories (PDF 139 KB)



DSK29

Double loop coupling DSK29

for encoder with shaft \varnothing 6 mm, 8 mm or 10 mm.

No moving parts, thermally and electrically insulating, smooth running, maintenance-free.

Good resistance to

Gasoline, oil, benzene, toluene, aromatic and non aromatic hydrocarbons, alcohols, glycols, solvents and many chemicals.

Product details

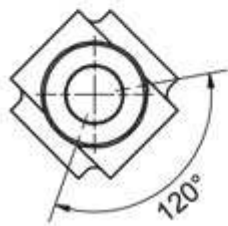
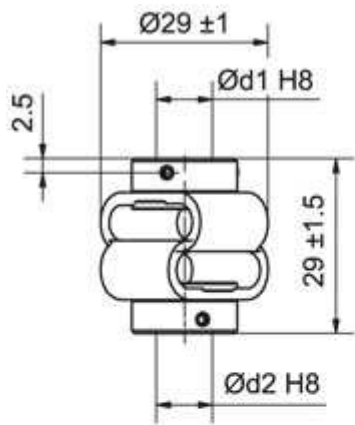
Max. operating speed	3.000 rpm
Max. torque	50 Ncm
Max. offset of shafts radial	\pm 2.0 mm
Max. offset of shafts axial	\pm 2.0 mm
Max. offset of shafts angular	\pm 10°
Torsion spring stiffness	13 Nm/rad
Radial spring stiffness	13 N/mm
Moment of inertia	41 gcm ²
Max. clamping torque	100 Ncm
Operating temperature	-30 °C up to +80 °C
Weight	33 g
Material	flange: steel galvanized connecting element: polyurethane

Order number(s)

DSK290606	double loop coupling: \varnothing d1 = 6 mm, \varnothing d2 = 6 mm
DSK290610	double loop coupling: \varnothing d1 = 6 mm, \varnothing d2 = 10 mm
DSK291010	double loop coupling: \varnothing d1 = 10 mm, \varnothing d2 = 10 mm

Drawing(s)

All dimensional specifications in mm



DIN 916 M3x4 (4x)



For further information please contact our local distributor.

Here you find a list of our [→](#) distributors worldwide

Wachendorff Automation GmbH & Co. KG - Industriestrasse 7 - D-65366 Geisenheim
wdg@wachendorff.de - Tel +49 6722 996525 - Fax +49 6722 996570