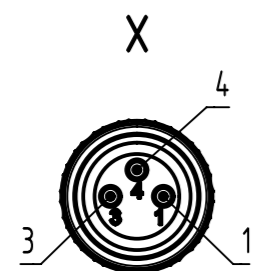


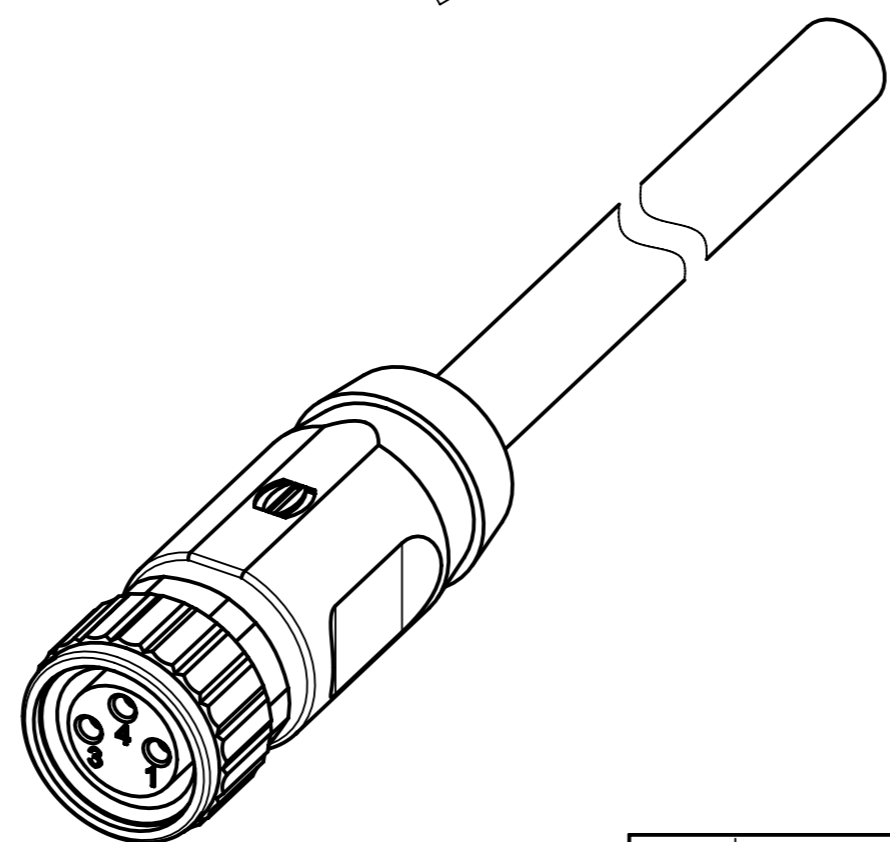
M8 3-poles, female straight connector



Loading-Plan:

- 1 brown
- 2 blue
- 3 black
- 4 black

*For Information Only
won't be replaced when changed*



- Protection level: IP67
- Temperature range: -25°C ... +80°C

length in "1m" step	40	XXX=400
	39	XXX=390
	12	XXX=120
	11	XXX=110
length in "0,1m" step	10	XXX=100
	9,9	XXX=099
	9,8	XXX=098
	0,4	XXX=004
	0,3	XXX=003
	0,2	XXX=002
	0,1	XXX=001
Step	a [m]	XXX

4,0 to 40	+1%
0,1 to 3,9	+0,04
a [m]	Tolerance

Part no.	213481003XXXXXX
----------	-----------------

Type of cable	XX
PVC grey, 3x0,25mm ²	XX=80
PUR black, 3x0,25mm ²	XX=88

	All rights reserved	Created by	Inspected by	Standardisation	Date	State
	Department EC PD - RO	TAMAS			2014-05-20	Checked Out
HARTING Electronics GmbH		Title			Doc-Key / ECM-Nr.	
D-32339 Espelkamp		M8 Cable Assembly			100577583/UGD/009/A	
Type	Number	Rev.		Page		
TB	213481003XXXXXX	A		1/1		