

5

4

3

2

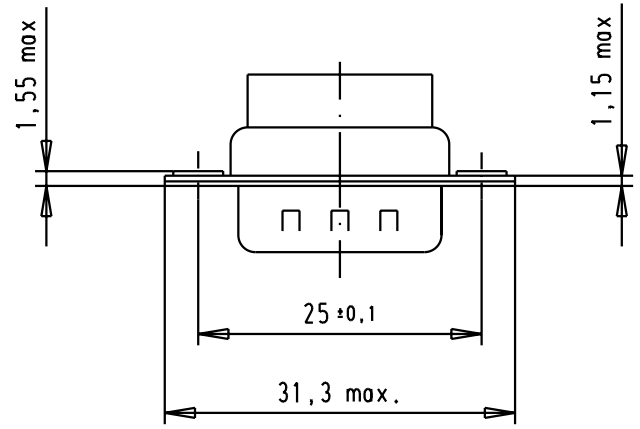
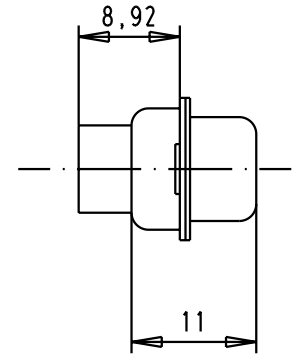
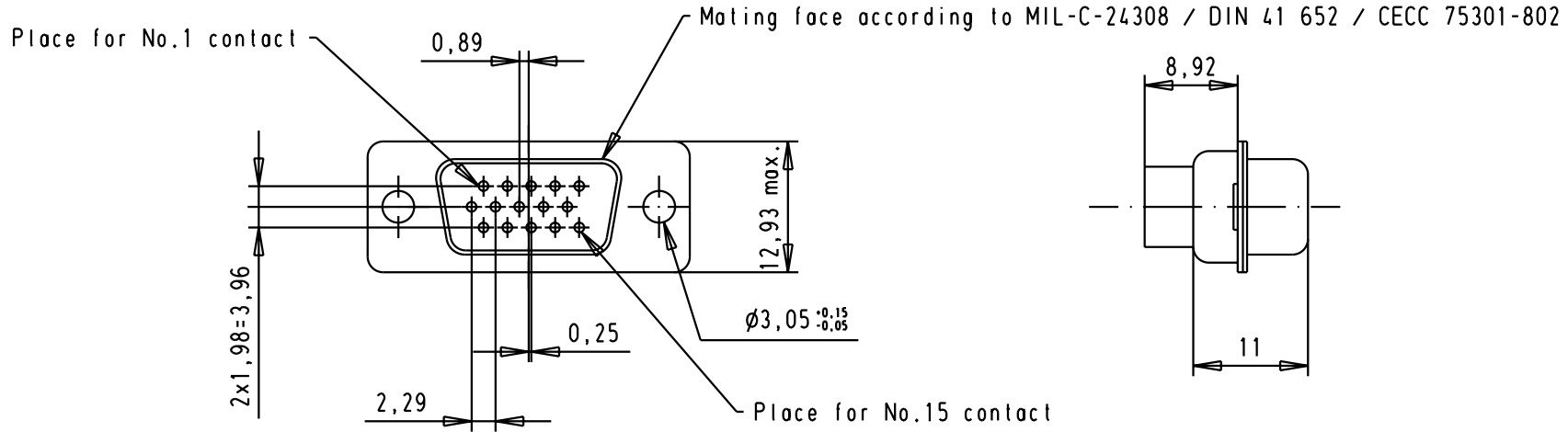
1

D

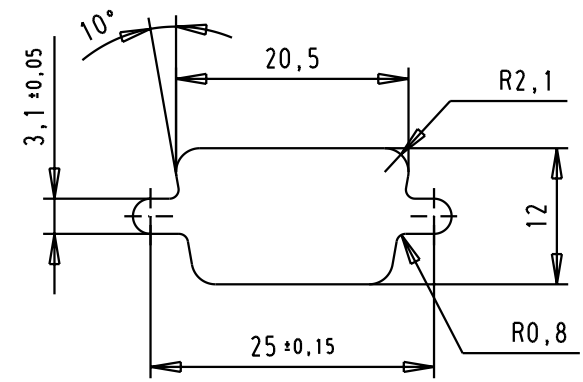
C



B

A



Panel cut out



						 All Dim. in mm Orig. Size DIN A 4	D-Sub, High density, male, 15 poles, for crimp contacts	Maßstab/ Scale 1.5:1
			Detail.	16-SEP-02	CV			
			Insp.					
			Stand.					
	31064	16-SEP-02	CV	HARTING EURL F-95972 Paris			 TB 09561005601	Blatt/ Page 1 /
	Mod.	Dat.	Name					