

MATERIAL

Cast AISI 316L stainless steel, turned and polished rim, sandblasted matte surface.

STANDARD EXECUTIONS

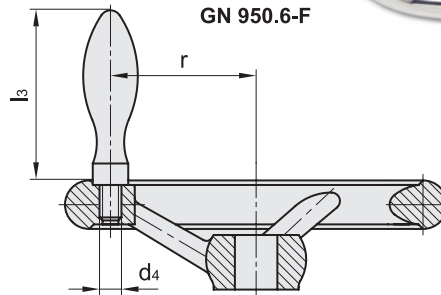
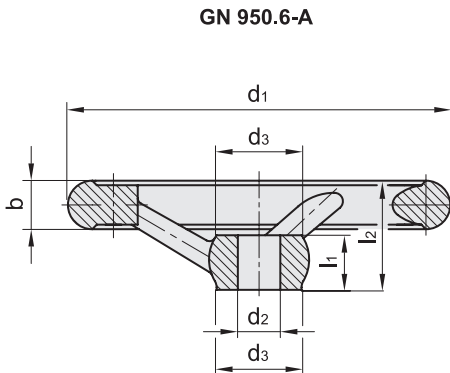
- **GN 950.6-A:** without handle.
- **GN 950.6-F:** with fixed handle DIN 39 (see page 569) in AISI 316L stainless steel.

Hole index:

- **B:** H9 reamed hole.
- **K:** H9 reamed hole and keyway in compliance with DIN 6885/1 tolerance P9 (see page A-15).

SPECIAL EXECUTIONS ON REQUEST

Handwheels with square mounting hole (GN 950.6-V).

**GN 950.6-A**

INOX STAINLESS STEEL

Code	Description	d1	d2 H9	d3	b	l1	l2	Spokes no.	⚖
GN.32051	GN 950.6-100-B10-A	100	10	25.5	14.5	17	33	3	433
GN.32061	GN 950.6-125-B12-A	125	12	27	15.8	18	35.5	3	660
GN.32071	GN 950.6-140-B14-A	140	14	29	17	19	38.5	3	865
GN.32081	GN 950.6-160-B14-A	160	14	31	17.5	20	39.5	3	1156
GN.32091	GN 950.6-200-B18-A	200	18	37	20	24	44.5	3	1938
GN.32056	GN 950.6-100-K10-A	100	10	25.5	14.5	17	33	3	430
GN.32066	GN 950.6-125-K12-A	125	12	27	15.8	18	35.5	3	655
GN.32076	GN 950.6-140-K14-A	140	14	29	17	19	38.5	3	840
GN.32086	GN 950.6-160-K14-A	160	14	31	17.5	20	39.5	3	1150
GN.32096	GN 950.6-200-K18-A	200	18	37	20	24	44.5	3	1930

GN 950.6-F

INOX STAINLESS STEEL

Code	Description	d1	d2 H9	d3	d4	b	l1	l2	l3	r	Spokes no.	⚖
GN.32052	GN 950.6-100-B10-F	100	10	25.5	M 6	14.5	17	33	48.5	36	3	480
GN.32062	GN 950.6-125-B12-F	125	12	27	M 8	15.8	18	35.5	62	47	3	770
GN.32072	GN 950.6-140-B14-F	140	14	29	M 8	17	19	38.5	62	52	3	940
GN.32082	GN 950.6-160-B14-F	160	14	31	M 10	17.5	20	39.5	77	62	3	1320
GN.32092	GN 950.6-200-B18-F	200	18	37	M 10	20	24	44.5	77	80	3	2060
GN.32057	GN 950.6-100-K10-F	100	10	25.5	M 6	14.5	17	33	48.5	36	3	470
GN.32067	GN 950.6-125-K12-F	125	12	27	M 8	15.8	18	35.5	62	47	3	760
GN.32077	GN 950.6-140-K14-F	140	14	29	M 8	17	19	38.5	62	52	3	930
GN.32087	GN 950.6-160-K14-F	160	14	31	M 10	17.5	20	39.5	77	62	3	1310
GN.32097	GN 950.6-200-K18-F	200	18	37	M 10	20	24	44.5	77	80	3	2000