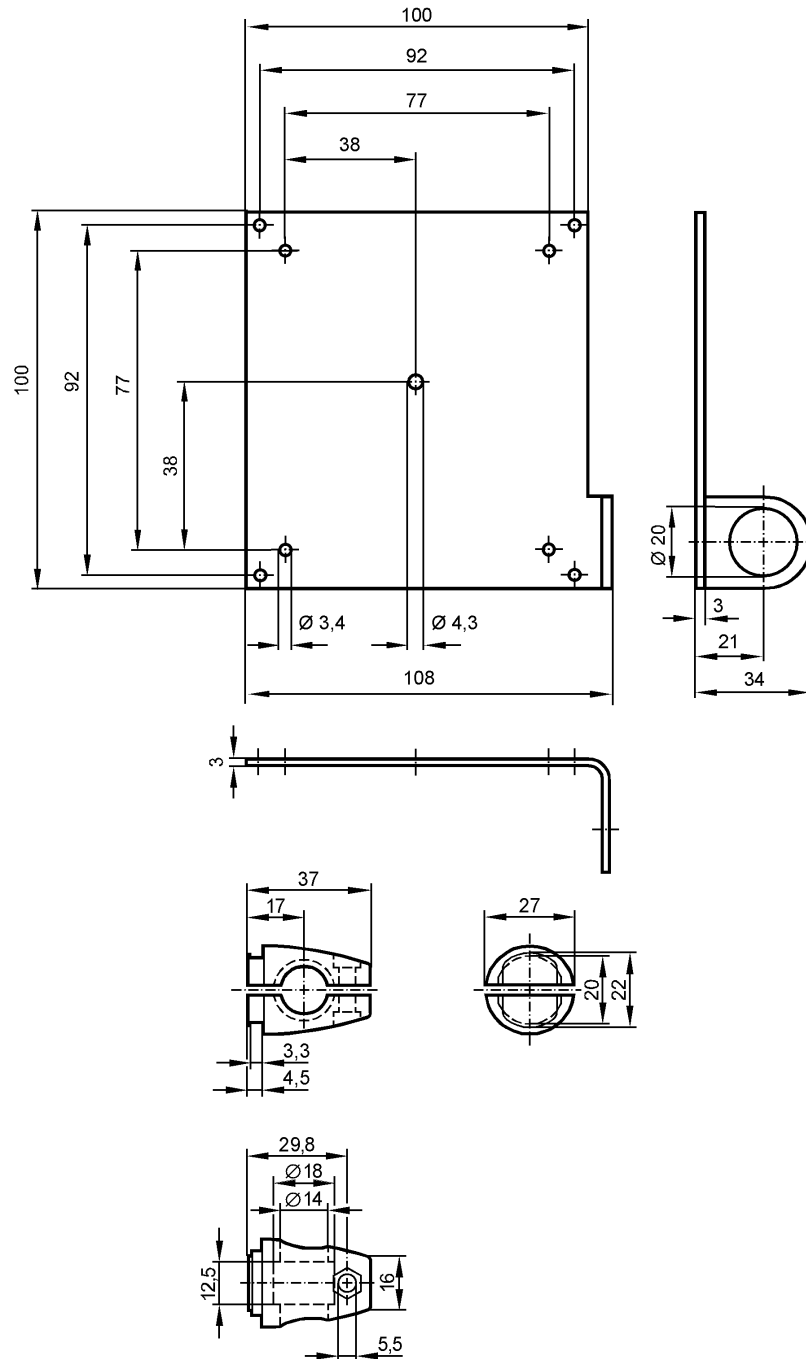


SYSTEM COMPONENT REFL BOLT

Accessories



Product characteristics

Mounting set

Clamp mounting

Mechanical data

Design

for reflector; 100 x 100 mm

Housing materials

fixture: stainless steel 316Ti / 1.4571; clamp: diecast zinc

Type of mounting

free-standing M12

Weight

[kg]

0.497

Accessories

Accessories (included)

screw; M12x120

Remarks

Pack quantity

[piece]

1

E20934 - Mounting set - eclass: 27279202 / 27-27-92-02

ifm electronic gmbh • Friedrichstraße 1 • 45128 Essen — We reserve the right to make technical alterations without prior notice. — GB — E20934 — 06.03.2003