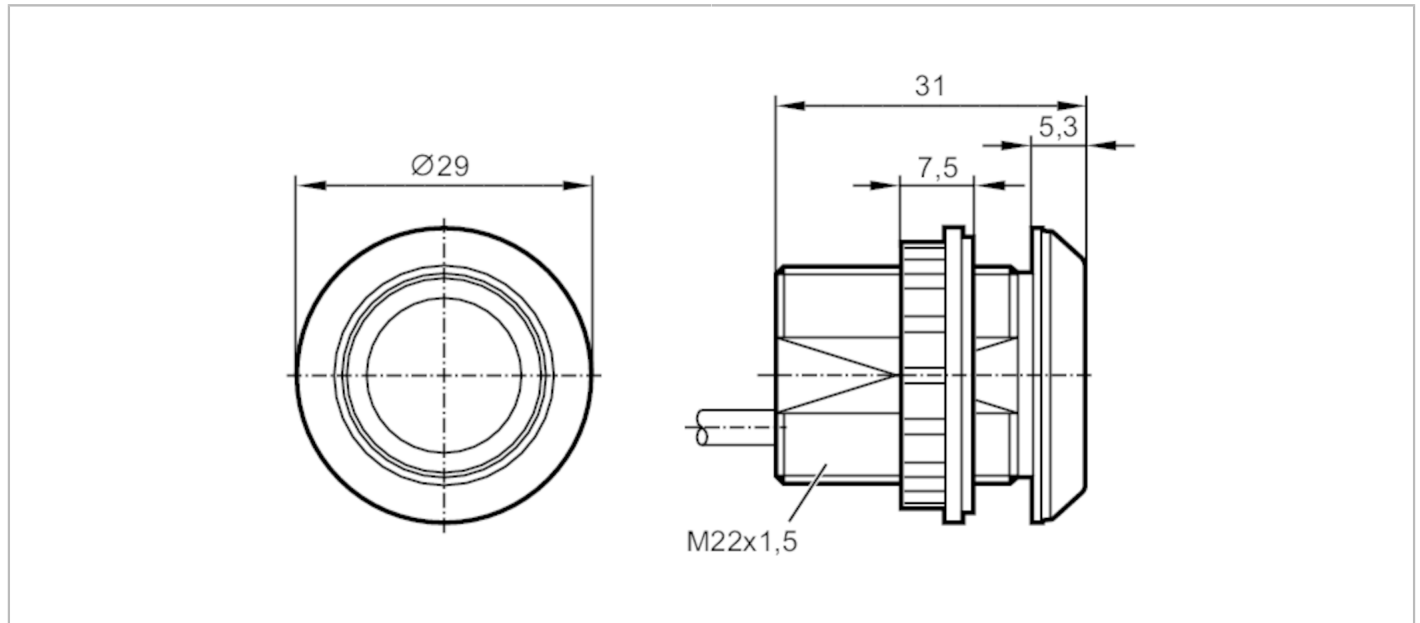


KT5151



Capacitive illuminated pushbutton

KTMBF-KRGBPKG/US/0,3M



Product characteristics	
Electrical design	PNP
Output function	normally open
Dimensions [mm]	Ø 29 / L = 31
Application	
Operating principle	bistable
Electrical data	
Operating voltage [V]	12...30 DC
Current consumption [mA]	30
Protection class	III
Reverse polarity protection	yes
Max. power-on delay time [ms]	500
Outputs	
Electrical design	PNP
Output function	normally open
Permanent current rating of switching output DC [mA]	200
Short-circuit protection	yes
Overload protection	yes
Response times	
Response time [ms]	35
Operating conditions	
Ambient temperature [°C]	-40...85
Protection	IP 65; IP 67; IP 69K; (on the front)

KT5151



Capacitive illuminated pushbutton

KTMBF-KRGBPKG/US/0,3M

Mechanical data		
Weight	[g]	55
Dimensions	[mm]	Ø 29 / L = 31
Materials		PA 6.6; active face: PA Grilamid TR 90UV
Displays / operating elements		
Display	switching status	1 x LED, green
	function	1 x LED, red can be triggered
Accessories		
Accessories (supplied)		lock nuts: 1
		Gasket: 1
Accessories (optional)		symbol disc
Remarks		
Pack quantity		1 pcs.

Electrical connection - plug
Cable: 0.3 m, PUR
Connector: 1 x M12



Connection

