

**MVK I/O COMPACT MODULE, METAL**

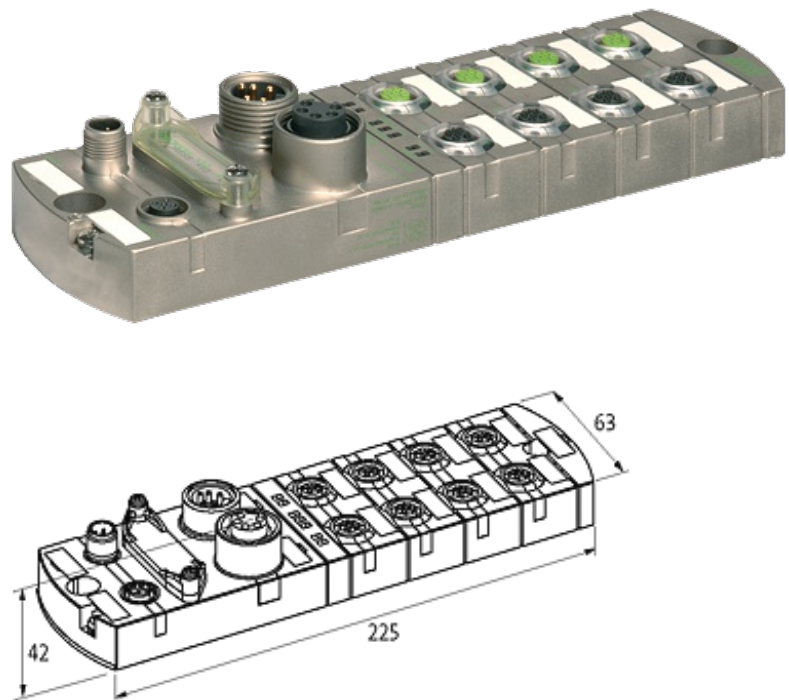
Profibus DP, 4 analog In / 8 multif. channels

Digital inputs/outputs

Analog inputs

DI/DO4 + 4 × diagnostic/DI/DO + AI4

For connection cables please see chapter "Connection Technology" All housings are fully potted

[Link to Product](#)**Illustration**

Product may differ from Image

**Approvals****More Info**

Input	
Sensor supply US	24 V DC (EN 61131-2), max. 200 mA (M12 female), short-circuit and overload protected
Type	for 3-wire sensors or mechanical switches, PNP, (EN 61131-2)
Resolution (analog)	16 Bit
Input range (analog)	0...10 V, (0...20 mA and 4...20 mA via adapter Art.-No. 7000-42251-0000000)
Input resistor (analog)	approx. 1 MOhm, differential input
Conversion time (analog)	1 ms
Connections	
Fieldbus	M12, B-coded
Sensor-system/actuator supply	7/8", 5-pole, 2 × max. 9 A
I/O ports	M12, A-coded, 5-pole
Fieldbus	
Operating voltage	24 V DC (EN 61131-2)
Operating modes	Sync- and freeze mode are supported
Transfer rate	to 12 Mbit/s
Addressing	Rotary switch 1...99
General data	
Protection	IP67
Mounting method	2-hole screw mounting
Temperature range	0...+55 °C (storage temperature -20...+70 °C)
Dimensions H × W × D	42×63×225 mm
Output	
Actuator supply UA	24 V DC (EN 61131-2), max. 9 A
Lamp load (8×M12 left)	max. 1.6 A (short-circuit and overload protected)
Lamp load	10 W
Diagnostic	
Communication status	via LED
Diagnostic via LED	per module and channel
Diagnostic via BUS	per module and channel
Monitoring - under voltage	yes
Monitoring - no voltage	yes
Short circuit and overload	yes
Actuator warning	per channel via LED and BUS
Wire break upper/lower limit overload	per channel via LED and BUS
Commercial data	
country of origin	DE
customs tariff number	85389099
minimum order quantity	1