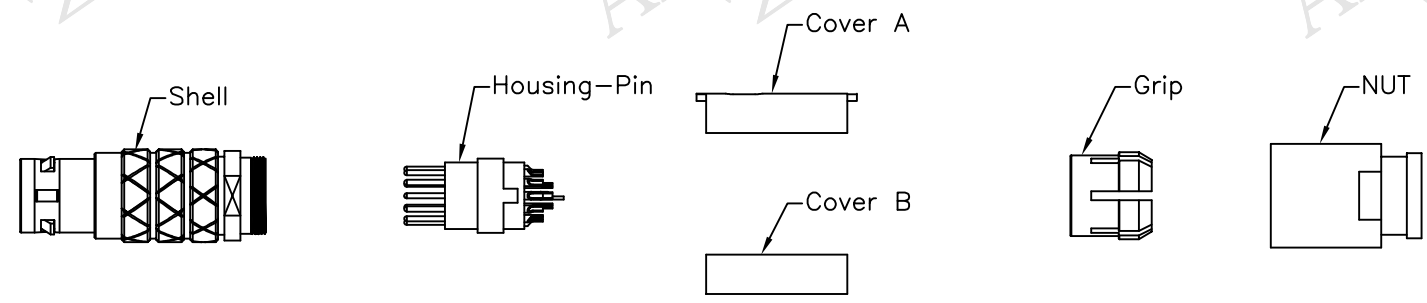
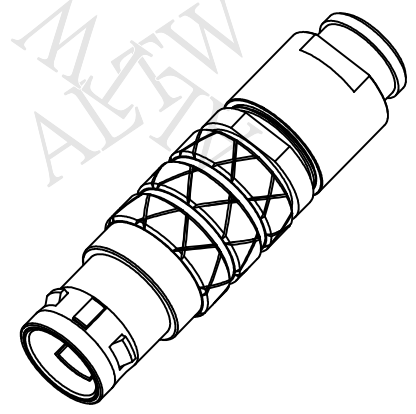
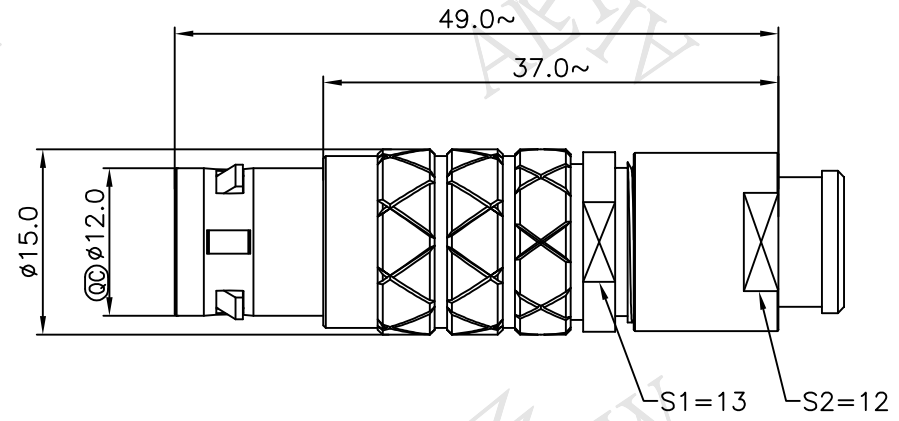


REV.	DESCRIPTION

THIS DOCUMENT IS SUBJECT TO CHANGE WITHOUT NOTICE. IT IS CONFIDENTIAL AND A PROPERTY OF Amphenol LTW. DISCLOSURE TO THIRD PARTY HAS TO BE AUTHORIZED BY Amphenol LTW.



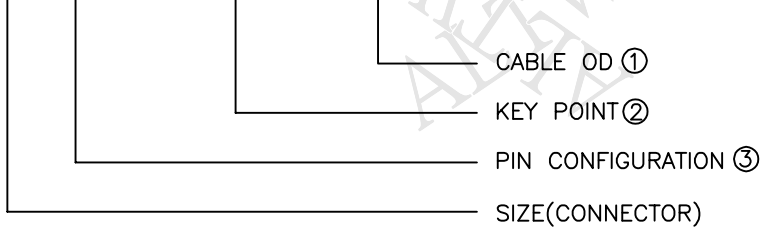
Notes:
 * $\text{\textcircled{C}}$ Important Dimensions To Check.
 * Male Pin: Copper Alloy, Gold Plated.

UNIT:mm $\pm 0.5\text{MM}$	TITLE FLO 2B FI CONNECTOR		Amphenol LTW 安費諾亮泰企業股份有限公司	ITEM NO FLBD-XXFGMS-XCP-2XX	DRAWN BY Ouyang	DATE 2018/09/04
	SCALE Free	SHEET 1 OF 2		DWG NO FLBD-XXFGMS-XCP-2XX	CHECKED BY Mafei	DATE 2018/09/04
REV. 01	SIZE A4	$\text{\textcircled{C}}$: Inspection Item		CUSTOMER ALTW	APPROVED BY Jerry	DATE 2018/09/04

THIS DOCUMENT IS SUBJECT TO CHANGE WITHOUT NOTICE. IT IS CONFIDENTIAL AND A PROPERTY OF Amphenol LTW. DISCLOSURE TO THIRD PARTY HAS TO BE AUTHORIZED BY Amphenol LTW.

2B-SERIES CABLE COLLET(CABLE OD)			
CABLE CLAMP SET		CABLE DIA RANGE	
TYPE	CODE ①	MAX	MIN
FLBD-XXFGMS-XCP-2XX	11	6.2	5.2
	14	7.2	6.2
	16	8.2	7.2
	19	9.2	8.2

FLBD-XXFGMS-XCP-2XX



KEY POINT ②						
CODE	G	A	B	C	J	F
GRAPHIC	0° 	30° 	60° 	90° 	45° 	155°

PIN CONFIGURATION (Solder Definition) ③						
GRAPHIC	 2 PIN	 3 PIN	 4 PIN	 5 PIN	 6 PIN	 7 PIN
	 8 PIN	 10 PIN	 12 PIN	 14 PIN	 16 PIN	 18 PIN

UNIT:mm 	TITLE FLO 2B FI CONNECTOR		Amphenol LTW		ITEM NO FLBD-XXFGMS-XCP-2XX	DRAWN BY Ouyang	DATE 2018/09/04
TOLERANCE ±0.5MM	SCALE Free	SHEET 2 OF 2	安費諾亮泰企業股份有限公司		DWG NO FLBD-XXFGMS-XCP-2XX	CHECKED BY Mafei	DATE 2018/09/04
REV. 01	SIZE A4	◎ :Inspection Item			CUSTOMER ALTW	APPROVED BY Jerry	DATE 2018/09/04