

DC Fan Motors

# SAN ACE □ 60mm

## PICO ACE



Silent (R type), high rotating speed

**General specifications**

Motor protection system ····Current cut system (with reverse-connection protection)

Dielectric strength ······50/60 Hz, 500 VAC, 1 minute  
(between lead conductor and frame)

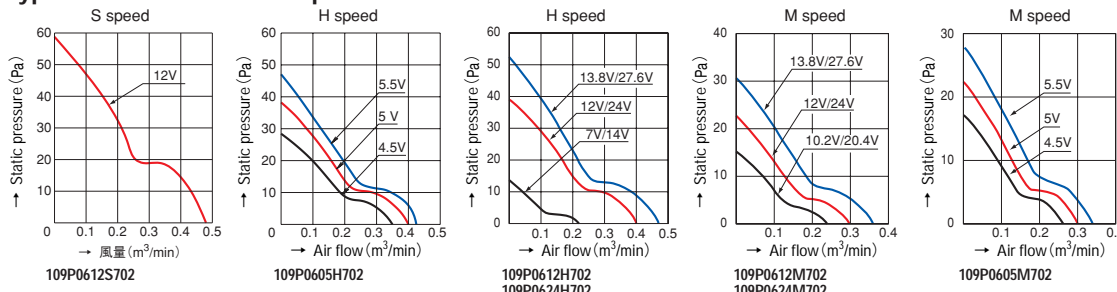
Operating thermally range -10°C to +60°C (non-condensing)

Fan power lead ········J, G, D, S, H, F, W speeds, ⊕ red, ⊖ black  
M speed, ⊕ red, ⊖ blue

### 15mm thick Specifications

Model No	Rated voltage (V)	Operating voltage range (V)	Rated current (A)	Rated input (W)	Rated rotating speed (min <sup>-1</sup> )	Air flow (m <sup>3</sup> /min)	(CFM)	Static pressure (Pa)	Noise (dB[A])	Mass (g)
109P0605H702	5	4.5~5.5	0.26	1.30	4,100	0.40	14.1	38.2	32	60
109P0605M702			0.15	0.75	3,100	0.30	10.6	22.6	25	
109P0612S702	12	10.2~13.8	0.15	1.80	5,000	0.48	17.0	58.8	36	
109P0612H702			0.09	1.08	4,100	0.40	14.1	38.2	32	
109P0612M702			0.07	0.84	3,100	0.3	10.6	22.6	25	
109P0624H702	24	14~27.6	0.06	1.44	4,100	0.4	14.1	38.2	32	
109P0624M702			0.04	0.96	3,100	0.3	10.6	22.6	25	

**Typical air flow and static pressure characteristics**

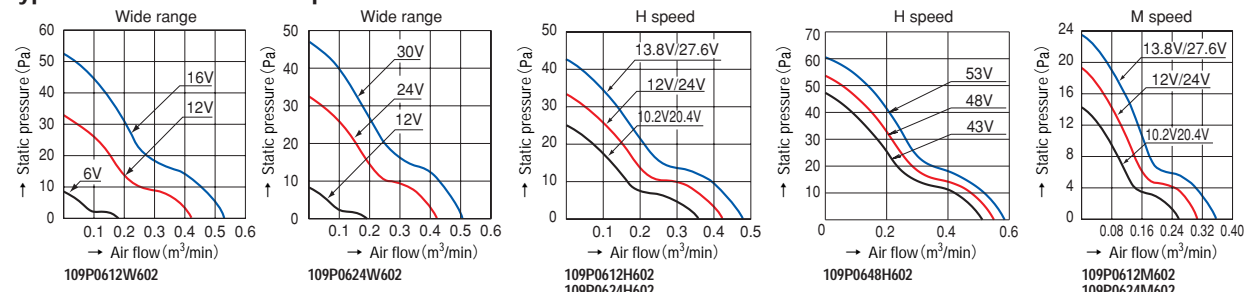


60mm

### 20mm thick Specifications

Model No	Rated voltage (V)	Operating voltage range (V)	Rated current (A)	Rated input (W)	Rated rotating speed (min <sup>-1</sup> )	Air flow (m <sup>3</sup> /min)	(CFM)	Static pressure (Pa)	Noise (dB[A])	Mass (g)
109P0612W602	12	6~16	0.13	1.56	4,200	0.42	14.8	31.9	31	90
109P0612H602			0.13	1.56	4,200	0.42	14.8	31.9	31	
109P0612M602			0.09	1.08	3,200	0.30	10.6	18.8	25	
109P0624W602	24	12~30	0.07	1.68	4,200	0.42	14.8	31.9	31	
109P0624H602			0.07	1.68	4,200	0.42	14.8	31.9	31	
109P0624M602			0.05	1.2	3,200	0.30	10.6	18.8	25	
109P0648H602	48	43~53	0.07	3.36	5,600	0.55	19.4	52.92	41	

**Typical air flow and static pressure characteristics**

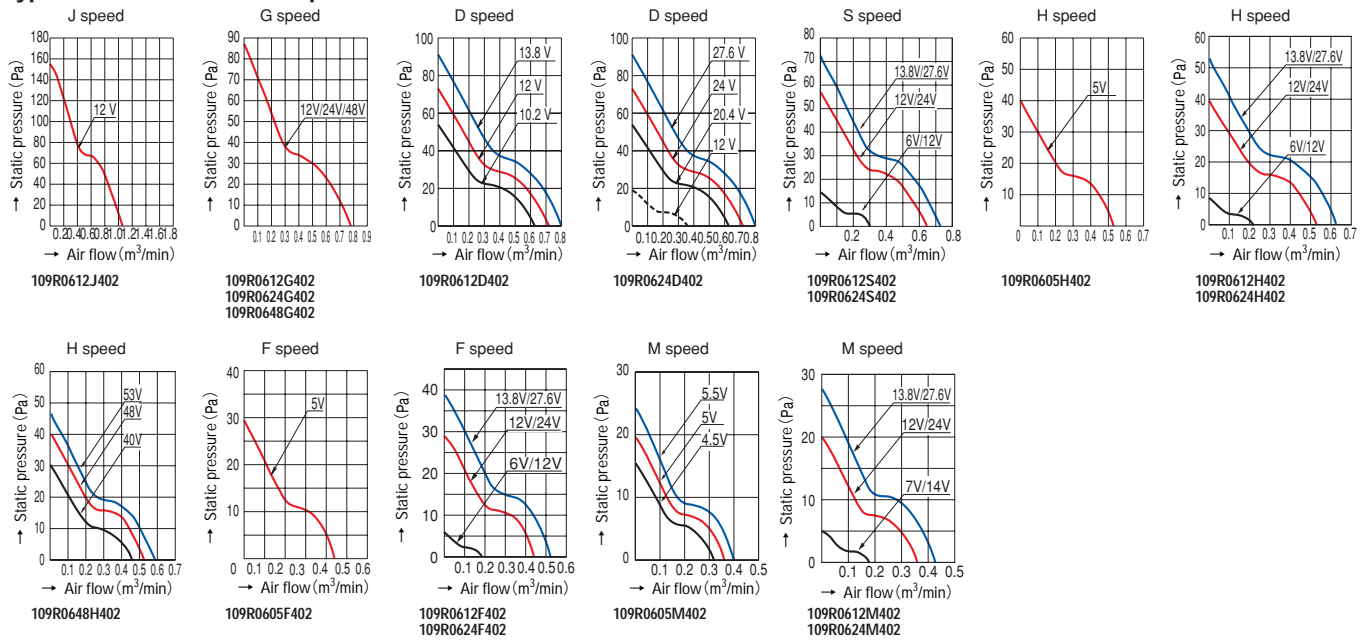


# 25mm thick Specifications

Model No	Rated voltage (V)	Operating voltage range (V)	Rated current (A)	Rated input (W)	Rated rotating speed (min <sup>-1</sup> )	Air flow (m <sup>3</sup> /min)	Air flow (CFM)	Static pressure (Pa)	Noise (dB[A])	Mass (g)
109R0605H402(4021)	5	4.5~5.5	0.34	1.70	3,800	0.58	20.5	40.2	28	90
109R0605F402(4021)			0.20	1.00	3,200	0.44	15.5	29.4	24	
109R0605M402(4021)			0.13	0.65	2,600	0.36	12.7	19.6	20	
109R0612J402(4021)	12	10.8~13.2	0.47	5.64	7,600	1.05	37.1	155.0	44	
109R0612G402(4021)			0.24	2.88	5,600	0.74	26.1	88.0	39	
109R0612D402(4021)			0.21	2.52	5,150	0.72	25.4	73.5	37	
109R0612S402(4021)	12	10.2~13.8	0.17	2.04	4,600	0.65	23.0	56.8	33	
109R0612H402(4021)			0.11	1.32	3,800	0.53	18.7	40.2	28	
109R0612F402(4021)			0.09	1.08	3,200	0.44	15.5	29.4	24	
109R0612M402(4021)	12	7~13.8	0.06	0.72	2,600	0.36	12.7	19.6	20	
109R0624G402(4021)			0.13	3.12	5,600	0.74	26.1	88.0	39	
109R0624D402(4021)			0.12	2.88	5,150	0.72	25.4	73.5	37	
109R0624S402(4021)	24	12~27.6	0.08	1.92	4,600	0.65	23.0	56.8	33	
109R0624H402(4021)			0.06	1.44	3,800	0.53	18.7	40.2	28	
109R0624F402(4021)			0.05	1.20	3,200	0.44	15.5	29.4	24	
109R0624M402(4021)	24	14~27.6	0.04	0.96	2,600	0.36	12.7	19.6	20	
109R0648G402(4021)			0.07	3.36	5,600	0.74	26.1	88.0	39	
109R0648H402(4021)			0.04	1.92	3,800	0.53	18.7	40.2	28	

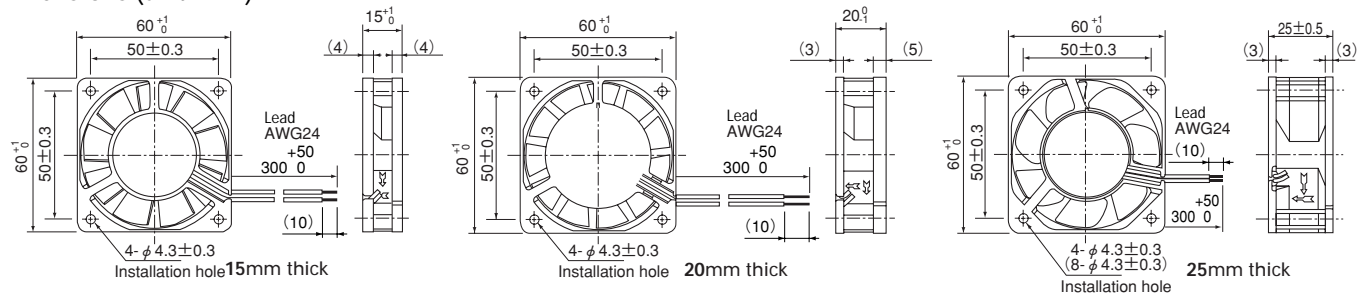
The numbers in ( ) represent ribless models.

## Typical air flow and static pressure characteristics

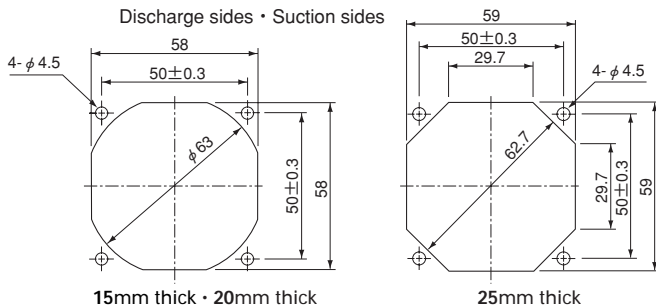


## Dimensions (unit : mm)

60mm



## Reference dimensional diagram for installation holes (unit : mm)



# SANYO DENKI