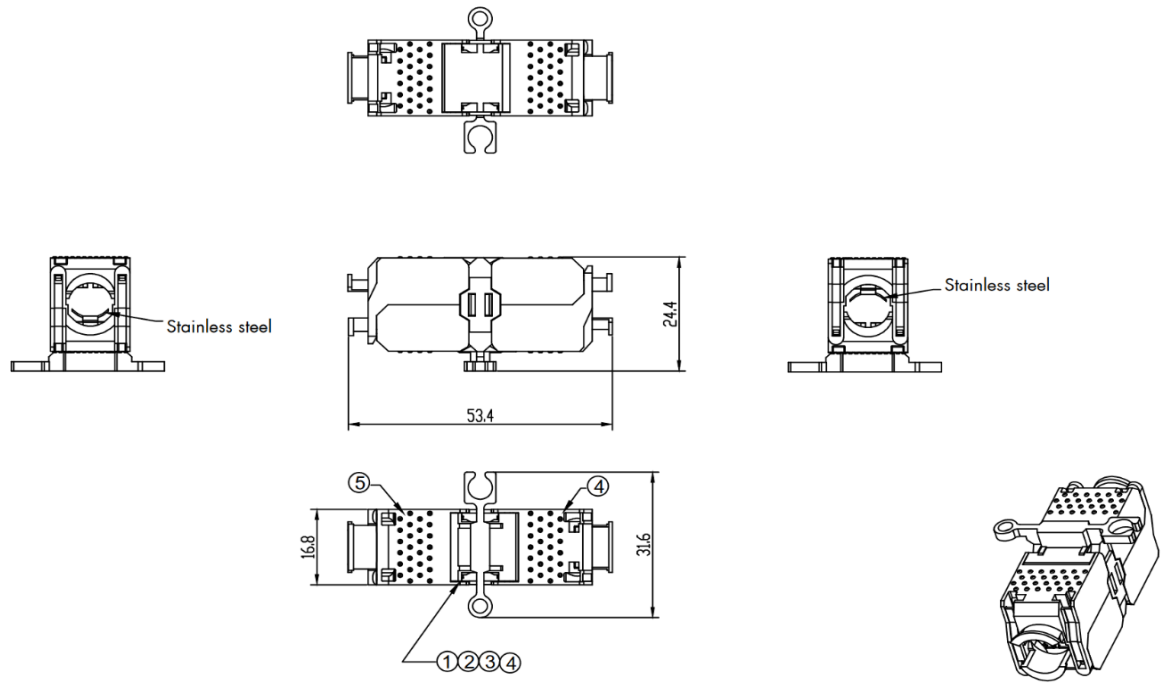


	REVISED	DR	APP



- Connection: AWG 22 - 26
- Contact material: bronze, nickel plated
- Shell material: Zinc Alloy
- Color: silver

NOTE:  
 1. Electronic test  
 1.1 Open/short 100% test  
 2. Accessory: cable tie 2.5\*98mm---4pc  
 copper foil---2pc  
 RoHS2.0 (2011/65/EU) Compliant

⑤	DC HOUSING	PC, colour:black,with the sticker color codes combine two wirings of 568A &568B
④	DC HOUSING	PC, colour:white,with the sticker color codes combine two wirings of 568A &568B
③	DC TERMINAL	Phosphor bronze with tin plated,suitable for 23~26AWG cable
②	PCB	FR4
①	HOUSING	Zinc Alloy



NO	ITEM	DESCRIPTION
		

DESCRIPTION		KEYSTONE COUPLER CAT 6A TOOLFREE					
SIZE	A4	DATE		CHECKED		TOL	<b>BS08-10002</b>
UNIT	MM	DRAWN		APPROVED			
CUSTOM TARIF NO.: 85366990000							