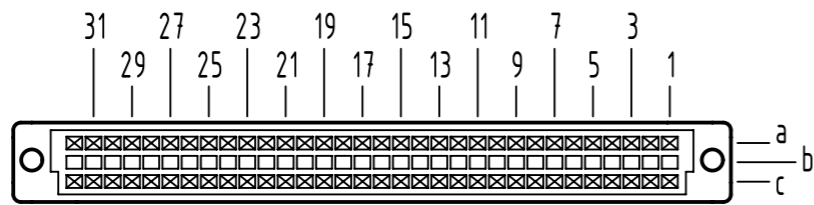


A
contact arrangement

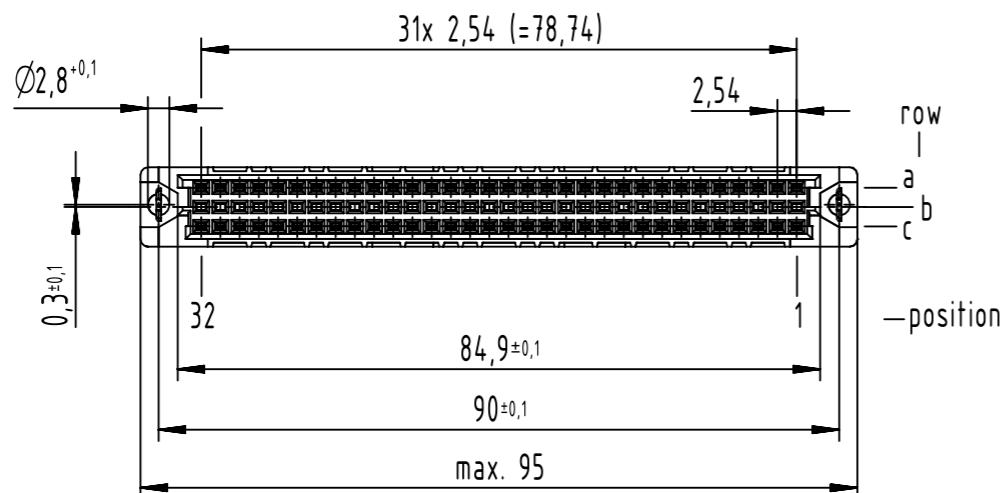
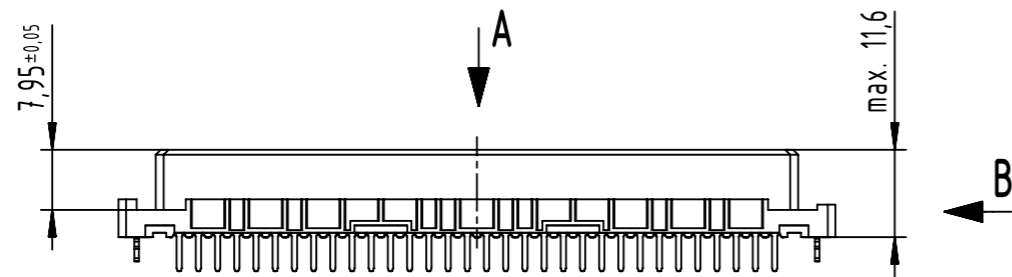
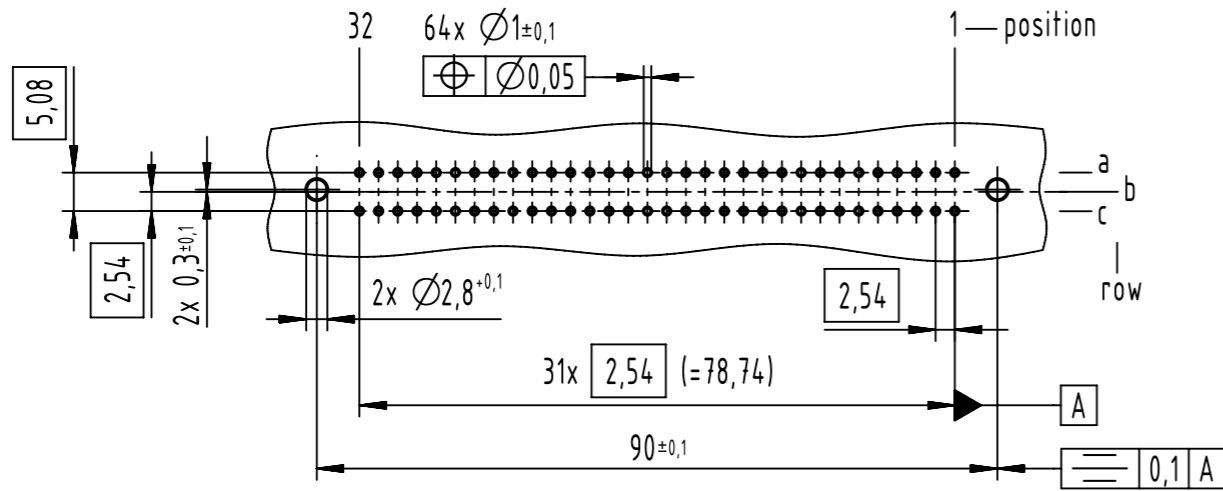


64 solder-contacts

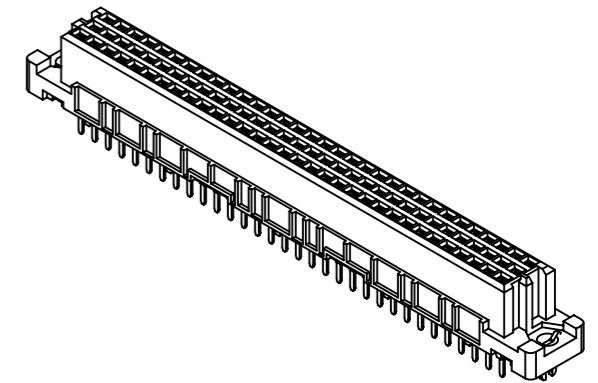
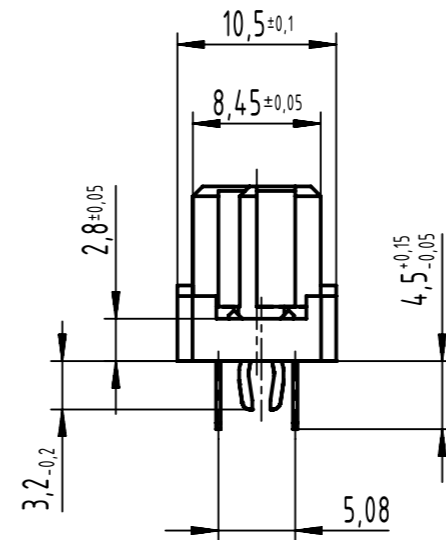
☒ = solder-contact

□ = position without contact

A
board drillings



B (2:1)



09 03 464 5825 015	Au30
09 03 464 7825	3
09 03 464 6825	2
09 03 464 2825	1
part no.	performance level

further information see product data sheet

	All Dimensions in mm Original Size DIN A3	Scale 1:1	Free size tol. IEC 60603-2	Ref. Sub. TB 09 03 464 x825 / Mod. 36400 / 07.07.2011	
	All rights reserved Department EL PD	Created by STORCK	Inspected by LEHNERT	Standardisation 302077	Date 2021-03-11
HARTING D-32339 Espelkamp	Title DIN Signal type C female solder 4.5 with clip 64-pole			Doc-Key / ECM-Nr. 100173852/UGD/186/G 500000190990	
	Type TB	Number 0903464X825		Rev. G	Page 1/1