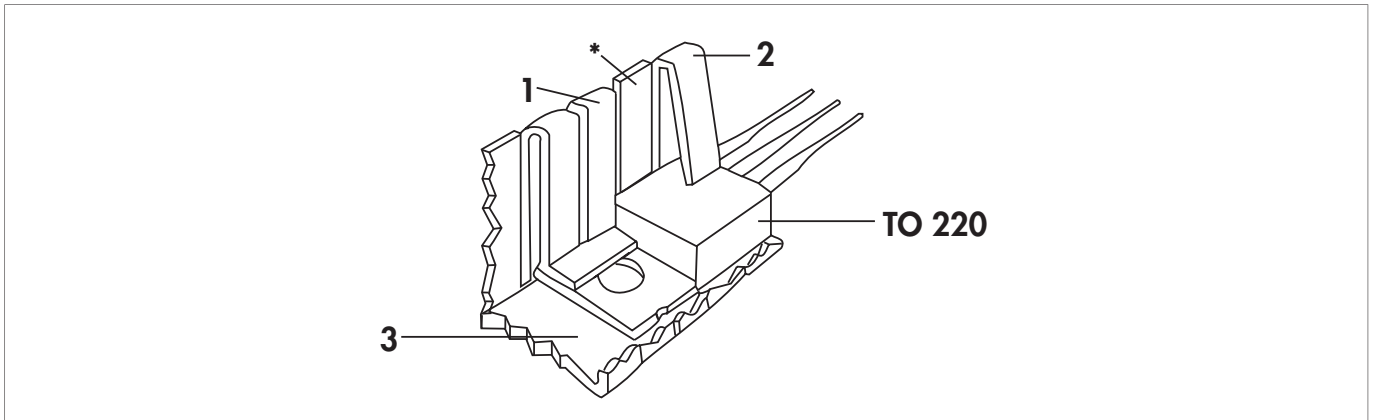


Attachable heatsinks



- narrow version with better thermal resistance
- max. 14.5 mm wide
- 3 different lengths for varied dissipation power
- takes less space than any other attachable heatsink
- simple assembly by pushing the heatsink onto the TO 220 housing
- the cooling fingers form spring clamps **(1+2)**, which pushes the TO 220 and its mounting flange onto the heatsink **(3)**
- optimum heat transfer due to the constant pressure on the entire contact surface of the TO 220 cases
- effective heat emission with horizontal and vertical mounting
- * = touch in edge of transistor

art. no.					
			26 K/W		
FK 242 SA 220 O	without soldering lug				
art. no.					
			21 K/W		
FK 237 SA 220 O	without soldering lug				
art. no.					
			16 K/W		
FK 240 SA 220 O	without soldering lug				
material:	aluminium				
surface:	black anodised, solder pins tin plated				