

# Operating Instructions

## RNF22

Power and error message module 24 V DC



# Table of contents

<b>1</b>	<b>About this document</b> .....	<b>3</b>	11.4	Disposal .....	16
1.1	Document function .....	3	<b>12</b>	<b>Technical data</b> .....	<b>17</b>
1.2	Symbols .....	3	12.1	Function and system design .....	17
<b>2</b>	<b>Basic safety instructions</b> .....	<b>5</b>	12.2	Input .....	17
2.1	Requirements for the personnel .....	5	12.3	Output .....	17
2.2	Intended use .....	5	12.4	Power supply .....	18
2.3	Workplace safety .....	5	12.5	Performance characteristics .....	19
2.4	Operational safety .....	5	12.6	Mounting .....	19
2.5	Product safety .....	6	12.7	Environment .....	20
2.6	Installation instructions .....	6	12.8	Mechanical construction .....	21
<b>3</b>	<b>Product descriptions</b> .....	<b>7</b>	12.9	Display and operating elements RNF22 .....	22
3.1	Product description RNF22 .....	7	12.10	Ordering information .....	22
<b>4</b>	<b>Incoming acceptance and product identification</b> .....	<b>7</b>	12.11	Accessories .....	23
4.1	Incoming acceptance .....	7	12.12	Certificates and approvals .....	23
4.2	Product identification .....	7	12.13	Documentation .....	24
4.3	Scope of delivery .....	8	<b>13</b>	<b>Appendix: system overview of RN Series</b> .....	<b>25</b>
4.4	Certificates and approvals .....	8	13.1	Power supply of RN Series .....	25
4.5	Storage and transport .....	8	13.2	Applications of the RN Series devices .....	31
<b>5</b>	<b>Mounting</b> .....	<b>9</b>	<b>Index</b> .....		<b>38</b>
5.1	Mounting requirements .....	9			
5.2	Mounting the DIN rail bus connector .....	9			
5.3	Installing a DIN rail device .....	9			
5.4	Disassembling the DIN rail device .....	10			
<b>6</b>	<b>Electrical connection</b> .....	<b>11</b>			
6.1	Electrical connection .....	11			
<b>7</b>	<b>Operation options</b> .....	<b>13</b>			
7.1	Display and operating elements RNF22 .....	13			
<b>8</b>	<b>Commissioning</b> .....	<b>13</b>			
8.1	Post-installation check .....	13			
8.2	Switching on the device .....	14			
<b>9</b>	<b>Diagnostics and troubleshooting</b> ...	<b>15</b>			
9.1	General troubleshooting .....	15			
<b>10</b>	<b>Maintenance</b> .....	<b>15</b>			
<b>11</b>	<b>Repair</b> .....	<b>15</b>			
11.1	General information .....	15			
11.2	Spare parts .....	15			
11.3	Return .....	16			





# 1 About this document

## 1.1 Document function









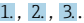



These Operating Instructions contain all the information that is required in various phases of the life cycle of the device: from product identification, incoming acceptance and storage, to mounting, connection, operation and commissioning through to troubleshooting, maintenance and disposal.

## 1.2 Symbols





### 1.2.1 Safety symbols

 <b>DANGER</b> This symbol alerts you to a dangerous situation. Failure to avoid this situation will result in serious or fatal injury.	 <b>WARNING</b> This symbol alerts you to a dangerous situation. Failure to avoid this situation can result in serious or fatal injury.
 <b>CAUTION</b> This symbol alerts you to a dangerous situation. Failure to avoid this situation can result in minor or medium injury.	 <b>NOTICE</b> This symbol contains information on procedures and other facts which do not result in personal injury.

### 1.2.2 Symbols for certain types of information

Symbol	Meaning
	<b>Permitted</b> Procedures, processes or actions that are permitted.
	<b>Preferred</b> Procedures, processes or actions that are preferred.
	<b>Forbidden</b> Procedures, processes or actions that are forbidden.
	<b>Tip</b> Indicates additional information.
	Reference to documentation
	Reference to page
	Reference to graphic
	Notice or individual step to be observed
	Series of steps
	Result of a step
	Help in the event of a problem
	Visual inspection

### 1.2.3 Electrical symbols

	Direct current		Alternating current
	Direct current and alternating current		<b>Ground connection</b> A grounded terminal which, as far as the operator is concerned, is grounded via a grounding system.

### 1.2.4 Symbols in graphics

1, 2, 3,...	Item numbers	A, B, C, ...	Views
-------------	--------------	--------------	-------

### 1.2.5 Symbols at the device

	<b>Warning</b> Observe the safety instructions contained in the associated Operating Instructions
---	--

## 2 Basic safety instructions

### 2.1 Requirements for the personnel

The personnel for installation, commissioning, diagnostics and maintenance must fulfill the following requirements:

- ▶ Trained, qualified specialists must have a relevant qualification for this specific function and task.
- ▶ Are authorized by the plant owner/operator.
- ▶ Are familiar with federal/national regulations.
- ▶ Before starting work, read and understand the instructions in the manual and supplementary documentation as well as the certificates (depending on the application).
- ▶ Follow instructions and comply with basic conditions.

The operating personnel must fulfill the following requirements:

- ▶ Are instructed and authorized according to the requirements of the task by the facility's owner-operator.
- ▶ Follow the instructions in this manual.

### 2.2 Intended use

#### 2.2.1 Power and error message module

The power and error message module is used to provide the supply voltage to the DIN rail bus connector. The device is designed for installation on DIN rails in accordance with IEC 60715.

#### 2.2.2 Product liability

The manufacturer does not accept any responsibility for damage that results from non-designated use and from failure to comply with the instructions in this manual.

### 2.3 Workplace safety

For work on and with the device:

- ▶ Wear the required personal protective equipment according to federal/national regulations.

### 2.4 Operational safety

Risk of injury!

- ▶ Operate the device only if it is in proper technical condition, free from errors and faults.
- ▶ The operator is responsible for interference-free operation of the device.

#### Modifications to the device

Unauthorized modifications to the device are not permitted and can lead to unforeseeable dangers:

- ▶ If modifications are nevertheless required, consult with the manufacturer.

#### Repair

To ensure continued operational safety and reliability:

- ▶ Carry out repairs on the device only if they are expressly permitted.
- ▶ Observe federal/national regulations pertaining to the repair of an electrical device.
- ▶ Use only original spare parts and accessories from the manufacturer.

**Hazardous area**

To eliminate danger to persons or the facility when the device is used in the hazardous area (e.g. explosion protection):

- ▶ Check the nameplate to verify if the device ordered can be put to its intended use in the hazardous area.
- ▶ Observe the specifications in the separate supplementary documentation that is an integral part of these instructions.

**2.5 Product safety**

This device is designed in accordance with good engineering practice to meet state-of-the-art safety requirements, has been tested, and left the factory in a condition in which it is safe to operate.

**2.6 Installation instructions**

- The device's IP20 degree of protection is intended for a clean and dry environment.
- Do not expose the device to mechanical and/or thermal stress that exceeds the specified limits.
- The device is intended for installation in a cabinet or similar housing. The device may only be operated as an installed device.
- To protect against mechanical or electrical damage, the device must be installed in an appropriate housing with a suitable degree of protection according to IEC/EN 60529.
- The device fulfills the EMC regulations for the industrial sector.

## 3 Product descriptions

### 3.1 Product description RNF22

#### 3.1.1 Product design

##### Power and error message module

- The RNF22 power and error message module is used to provide the supply voltage to the DIN rail bus connector. Via a relay contact and a flashing LED, the integrated error analysis function signals a power supply failure/fuse error and a group error of the RLN22 Namur modules that are connected via the DIN rail bus connectors.
- The device is optionally available with Ex approvals for installation and operation in the hazardous area (Zone 2) and hazardous atmospheres formed by combustible dust (Zone 22). Separate Ex documentation (XA) is supplied with these devices. Compliance with the installation instructions and connection data in this documentation is mandatory!

## 4 Incoming acceptance and product identification

### 4.1 Incoming acceptance

Check the following during incoming acceptance:

- Are the order codes on the delivery note and the product sticker identical?
- Are the goods undamaged?
- Do the data on the nameplate match the ordering information on the delivery note?



If one of these conditions is not met, please contact the manufacturer's sales office.

### 4.2 Product identification

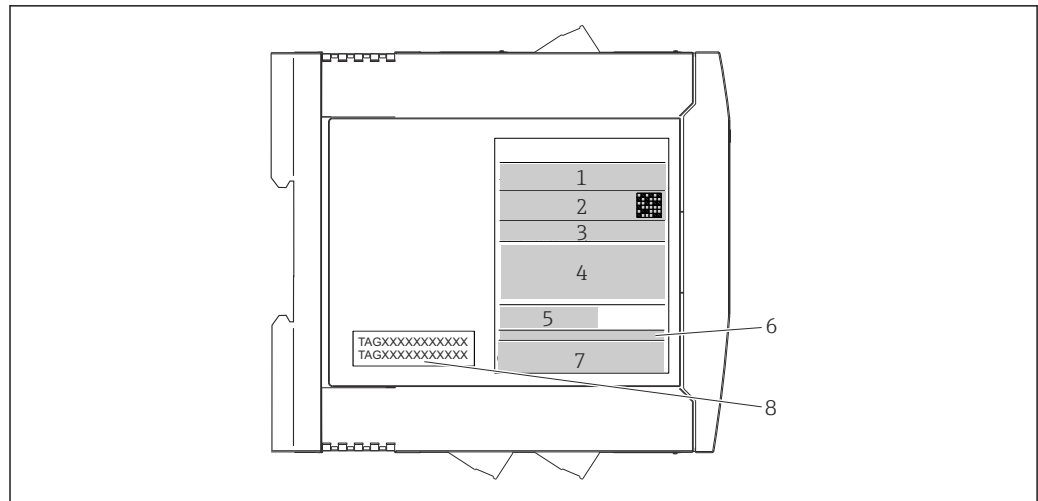
The following options are available for identification of the device:

- Nameplate specifications
- Extended order code with breakdown of the device features on the delivery note
- Enter the serial number from the nameplate in the *W@M Device Viewer* ([www.endress.com/deviceviewer](http://www.endress.com/deviceviewer)): all data relating to the device and an overview of the Technical Documentation supplied with the device are displayed.
- Enter the serial number on the nameplate into the *Endress+Hauser Operations App* or scan the 2-D matrix code (QR code) on the nameplate with the *Endress+Hauser Operations App*: all the information about the device and the technical documentation pertaining to the device is displayed.

#### 4.2.1 Nameplate

##### The right device?

Compare and check the data on the nameplate of the device against the requirements of the measuring point:



A0041996

**1** Nameplate (example of Ex version)

- 1 Product name and manufacturer ID
- 2 Order code, extended order code and serial number, DataMatrix 2D code, FCC-ID (if applicable)
- 3 Power supply and current consumption, output
- 4 Approval in hazardous area with number of the relevant Ex documentation (XA...)
- 5 Fieldbus communication logo
- 6 Firmware version and device revision
- 7 Approval logos
- 8 2 lines for the TAG name

### 4.2.2 Name and address of manufacturer

<b>Name of manufacturer:</b>	Endress+Hauser Wetzer GmbH + Co. KG
<b>Address of manufacturer:</b>	Obere Wank 1, D-87484 Nesselwang
<b>Model/type reference:</b>	RNF22

### 4.3 Scope of delivery

The scope of delivery comprises:

- Device as per order
- Printed copy of the Brief Operating Instructions
- Optional: Functional safety manual (SIL mode)
- Additional documentation for devices which are suitable for use in the hazardous area (Ex, ATEX, IECEx), such as Safety Instructions (XA...), Control or Installation Drawings (ZD...)

### 4.4 Certificates and approvals

**i** For certificates and approvals valid for the device: see the data on the nameplate

**i** Approval-related data and documents: [www.endress.com/deviceviewer](http://www.endress.com/deviceviewer) → (enter the serial number)

### 4.5 Storage and transport

**i** When storing and transporting the device, pack it so that it is reliably protected against impact. The original packaging provides optimum protection.



## 5 Mounting

### 5.1 Mounting requirements

#### 5.1.1 Dimensions

The dimensions of the device are provided in the 'Technical data' section of the Operating Instructions.

#### 5.1.2 Mounting location

The device is designed for installation on 35 mm (1.38 in) DIN rails in accordance with IEC 60715 (TH35).

The device's housing provides basic insulation from neighboring devices for 300 Veff. If several devices are installed side by side, this must be taken into consideration and additional insulation must be provided if necessary. If the adjacent device also offers basic insulation, no additional insulation is required.

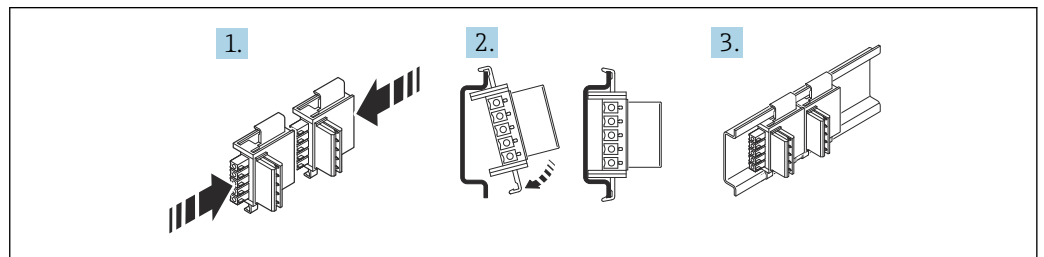
#### NOTICE

- ▶ When using in hazardous areas, the limit values of the certificates and approvals must be observed.

**i** For information on ambient conditions, see the "Technical data" section.

### 5.2 Mounting the DIN rail bus connector

- i** When using the DIN rail bus connector for the power supply, snap it onto the DIN rail BEFORE you mount the device. It is important to ensure the module and DIN rail bus connector are mounted in the correct direction: snap-on foot at bottom and plug part to the left!

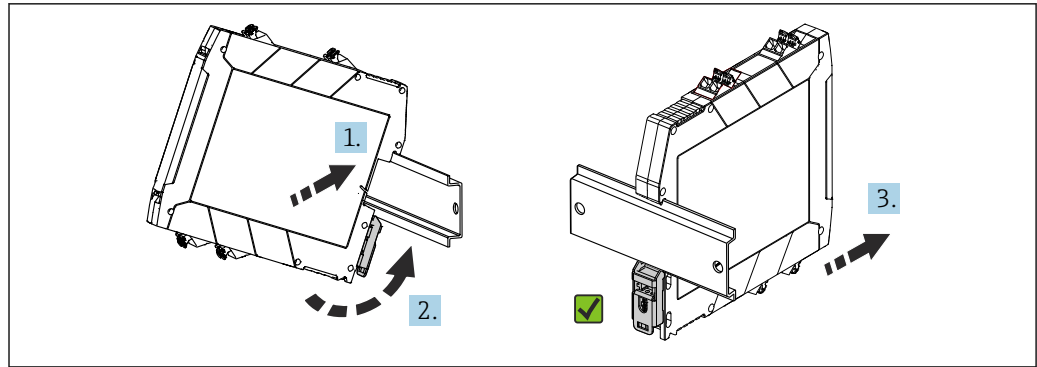


**2** *Mounting the DIN rail bus connector 17.5 mm (0.69 in)*

1. Connect two or more DIN rail bus connectors together.
2. Attach the DIN rail bus connectors to the top of the DIN rail and allow them to click into place on the underside of the DIN rail.
3. The DIN rail devices can now be installed.

### 5.3 Installing a DIN rail device

The device can be installed in any position (horizontal or vertical) on the DIN rail without lateral clearance from neighboring devices. No tools are required for installation. The use of end brackets (type "WEW 35/1" or equivalent) on the DIN rail is recommended to fix the device.

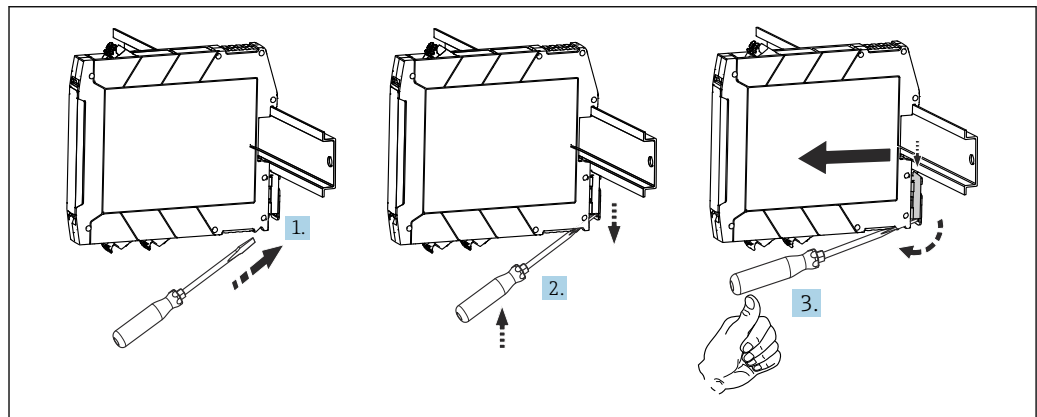


A0041736

3 *Installing on DIN rail*

1. Position the top DIN rail groove at the top end of the DIN rail.
2. While holding the front of the device horizontally, lower it until you hear the locking clip of the device click into place on the DIN rail.
3. Pull gently on the device to check if it is correctly mounted on the DIN rail.

#### 5.4 Disassembling the DIN rail device



A0039696

4 *Disassembling the DIN rail device*

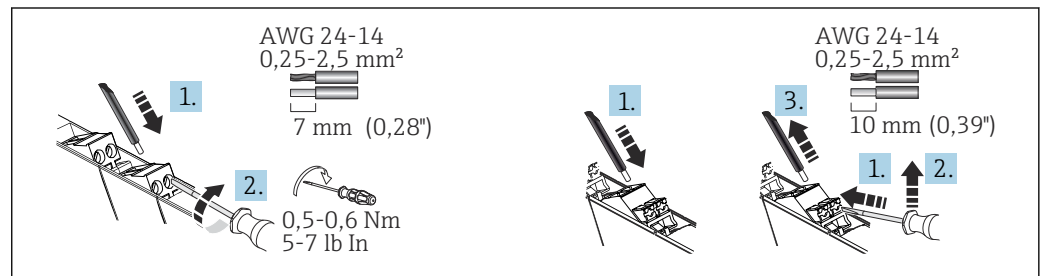
1. Insert a screwdriver into the tab of the DIN rail clip.
2. Use the screwdriver to pull down on the DIN rail clip as shown in the diagram.
3. Hold down the screwdriver to remove the device from the DIN rail.

## 6 Electrical connection

### 6.1 Electrical connection

#### 6.1.1 Connecting requirements

A flat-blade screwdriver is required to establish an electrical connection to screw or push-in terminals.



5 Electrical connection using screw terminals (left) and push-in terminals (right)

#### **CAUTION**

##### Destruction of parts of the electronics

- ▶ Switch off the power supply before installing or connecting the device.

#### **NOTICE**

##### Destruction or malfunction of parts of the electronics

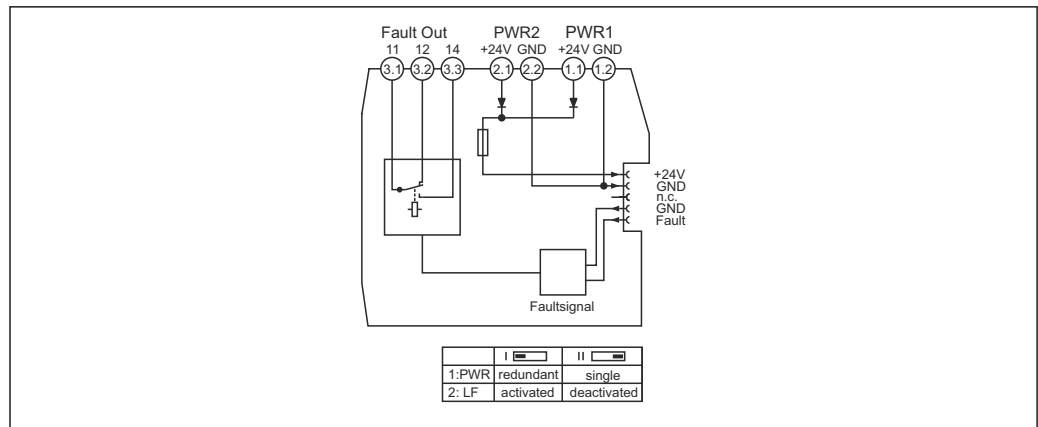
- ▶ ESD - Electrostatic discharge. Protect the terminals from electrostatic discharge.

##### Special connection instructions

- Disconnecting units and auxiliary circuit protective systems with suitable AC or DC values must be provided in the building installation.
- A switch/power circuit breaker must be provided close to the device and clearly marked as a disconnecting unit for this device.
- An overcurrent protection unit ( $I \leq 16 \text{ A}$ ) must be provided in the installation.
- The voltages applied at the input, output and relay output are all extra-low voltages (ELV).

- For information on the connection data, see the "Technical data" section.

### 6.1.2 Quick wiring guide



A0042592

6 RNF22 terminal assignment: power and error message module

### 6.1.3 Power supply

The power can be supplied via terminals 1.1 and 1.2 for PWR1 or 2.1 and 2.2 for PWR2.

**NOTICE**

The tapping of energy from the DIN rail bus connector for further distribution is not permitted.

- ▶ The supply voltage must never be connected directly to the DIN rail bus connector!

### 6.1.4 Supply to the DIN rail bus connector via terminals

Devices installed side by side can be connected using the DIN rail bus connector supplied with the device. If used, make sure the module and DIN rail bus connector are mounted in the correct direction.

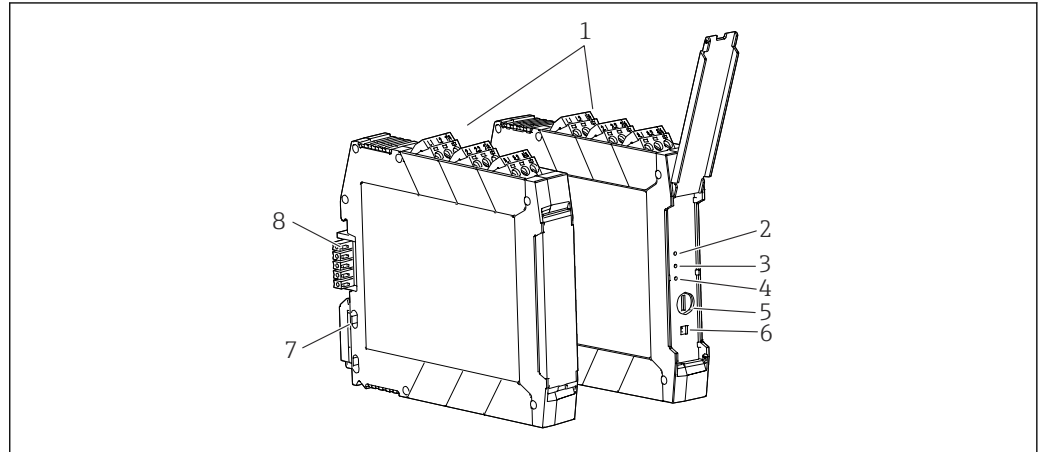
### 6.1.5 Post-connection check

Device condition and specifications	Notes
Are the device or cables free from damage (visual check)?	--
Do the ambient conditions match the device specification (e.g. ambient temperature, measuring range, etc.)?	See 'Technical data'

Electrical connection	Notes
Does the supply voltage match the specifications on the nameplate?	U = e.g. 19.2 to 30 V <sub>DC</sub>
Are all the screw terminals well tightened and have the connections of the push-in terminals been checked?	--

## 7 Operation options

### 7.1 Display and operating elements RNF22




A0042653

#### 7 Display and operating elements

- 1 Plug-in screw or push-in terminal
- 2 Green LED "On1" power supply 1
- 3 Green LED "On2" power supply 2
- 4 Red LED "Err" error indication
- 5 Fuse
- 6 DIP switch
- 7 DIN rail clip for DIN rail mounting
- 8 DIN rail bus connector

#### 7.1.1 Local operation

##### Hardware settings / configuration

 Any device settings using the DIP switch must be made when the device is de-energized.

All DIP switches are set to the "II" position when the device is delivered from the factory.

The following settings are made via the DIP switches:

- Switch off error message when RNF22 Feed-In Module is only supplied by one power supply system (DIP 1)
- Switch on/off group error detection for connected devices (DIP 2)

DIP	I	II (factory setting)
1	Redundant operation	One power supply system
2	Group error message on	Group error message off

## 8 Commissioning

### 8.1 Post-installation check

Before commissioning the device, ensure that all post-mounting and post-connection checks have been carried out.

**NOTICE**

- ▶ Before commissioning the device, make sure that the supply voltage matches the voltage specifications on the nameplate. Failure to perform these checks may result in damage to the device caused by the incorrect supply voltage.


## 8.2 Switching on the device

Switch on the supply voltage. The green LED display on the front of the device indicates that the device is operational.

## 9 Diagnostics and troubleshooting

### 9.1 General troubleshooting

Always start troubleshooting with the checklists below if faults occur after startup or during operation. The checklists take you directly (via various queries) to the cause of the problem and the appropriate remedial measures.

 Due to its design, the device cannot be repaired. However, it is possible to send the device in for examination. See the "Return" section.

#### *General faults*

Fault	Possible cause	Remedial action
Device does not respond.	Supply voltage does not match the voltage specified on the nameplate.	Check the voltage directly using a voltmeter and correct.
	Connecting cables are not in contact with the terminals.	Ensure electrical contact between the cable and the terminal.
	Electronics module is defective.	Replace the device.
The power LED on the DIN rail device is not lit (green).	Power failure or insufficient supply voltage.	Check the supply voltage and check if wiring is correct.

## 10 Maintenance

No special maintenance work is required for the device.

### **Cleaning**

A clean, dry cloth can be used to clean the device.

## 11 Repair

### 11.1 General information

Due to its design, the device cannot be repaired.

### 11.2 Spare parts

Spare parts currently available for the device can be found online at: [http://www.products.endress.com/spareparts\\_consumables](http://www.products.endress.com/spareparts_consumables). Always quote the serial number of the device when ordering spare parts!

Type	Order code
Plug-in terminal set, 3-pin, DIN rail interfaces - screw	71505345
Plug-in terminal set, 3-pin, DIN rail interfaces - push-in	71505346
Front cover 17.5 mm, DIN rail housing (5 pcs per pack)	71505348

## 11.3 Return

The requirements for safe device return can vary depending on the device type and national legislation.

1. Refer to the website for more information:  
<http://www.endress.com/support/return-material>
2. Return the device if repairs or a factory calibration are required, or if the wrong device was ordered or delivered.

## 11.4 Disposal



If required by the Directive 2012/19/EU on waste electrical and electronic equipment (WEEE), the product is marked with the depicted symbol in order to minimize the disposal of WEEE as unsorted municipal waste. Do not dispose of products bearing this marking as unsorted municipal waste. Instead, return them to the manufacturer for disposal under the applicable conditions.



## 12 Technical data

### 12.1 Function and system design

Product description RNF22

#### Product design

*Power and error message module*

- The RNF22 power and error message module is used to provide the supply voltage to the DIN rail bus connector. Via a relay contact and a flashing LED, the integrated error analysis function signals a power supply failure/fuse error and a group error of the RLN22 Namur modules that are connected via the DIN rail bus connectors.
- The device is optionally available with Ex approvals for installation and operation in the hazardous area (Zone 2) and hazardous atmospheres formed by combustible dust (Zone 22). Separate Ex documentation (XA) is supplied with these devices. Compliance with the installation instructions and connection data in this documentation is mandatory!

Dependability

We only provide a warranty if the device is installed and used as described in the Operating Instructions.

### 12.2 Input

Input data

Input signal	19.2 to 30 V <sub>DC</sub>
Redundant power feed-in	Decoupled via diodes
Protection against reverse polarity and overvoltage	Yes

### 12.3 Output

Output

Maximum output current (supply current to the DIN rail bus connector )	I <sub>OUT</sub> = 3.75 A
Output voltage for I <sub>OUT</sub>	U <sub>IN</sub> -0.8 V

Relay output data

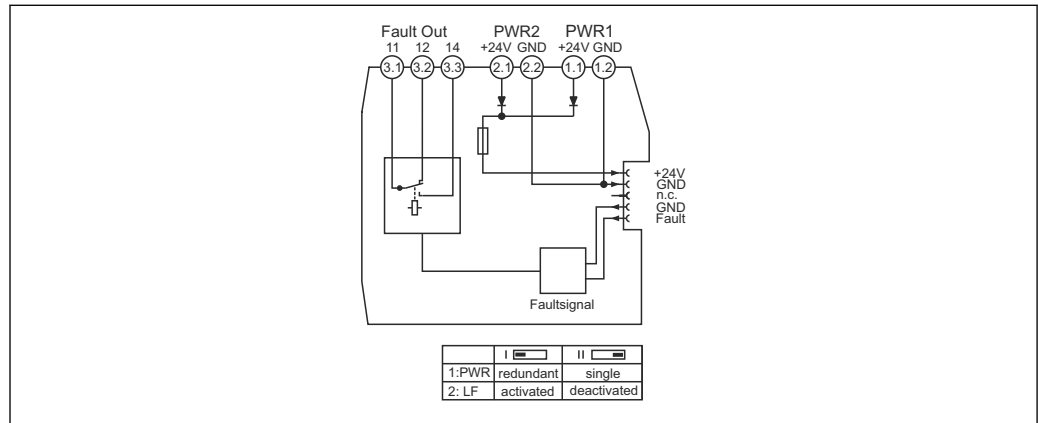
Contact design	1 changeover
Contact material	Gold (Au)
Maximum switching voltage	50 V <sub>AC</sub> (2 A) / 30 V <sub>DC</sub> (2 A) / 50 V <sub>DC</sub> (0.22 A)

Ex connection data

See associated XA Safety Instructions

## 12.4 Power supply

### Quick wiring guide



A0042592

8 RNF22 terminal assignment: power and error message module

### Terminal assignment

#### Special connection instructions

- Disconnecting units and auxiliary circuit protective systems with suitable AC or DC values must be provided in the building installation.
- A switch/power circuit breaker must be provided close to the device and clearly marked as a disconnecting unit for this device.
- An overcurrent protection unit ( $I \leq 16 \text{ A}$ ) must be provided in the installation.
- The voltages applied at the input, output and relay output are all extra-low voltages (ELV).

**i** For information on the connection data, see the "Technical data" section.

#### Terminal connection for supply voltage

The power can be supplied via terminals 1.1 and 1.2 for PWR1 or 2.1 and 2.2 for PWR2.

#### NOTICE

**The tapping of energy from the DIN rail bus connector for further distribution is not permitted.**

- ▶ The supply voltage must never be connected directly to the DIN rail bus connector!

#### Supply to the DIN rail bus connector via terminals

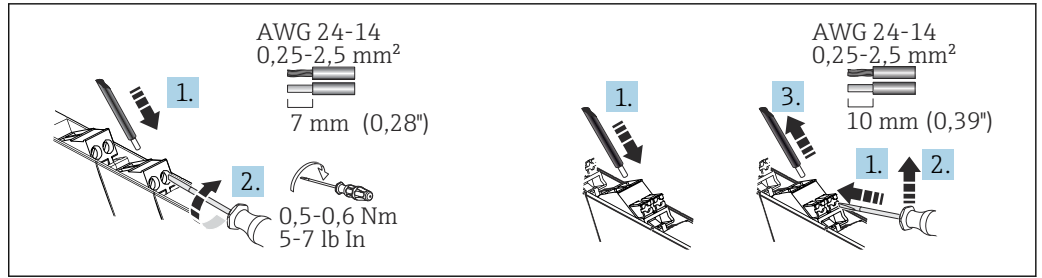
Devices installed side by side can be connected using the DIN rail bus connector supplied with the device. If used, make sure the module and DIN rail bus connector are mounted in the correct direction.

### Performance characteristics *Power supply*

Supply voltage	24 V <sub>DC</sub> (-20% / +25%)
Maximum current consumption	3.75 A
Protection against reverse polarity and overvoltage	Yes, decoupled via diodes
Fuse (replaceable)	5 A, slow-blow 250 V <sub>AC</sub>

### Terminals

A flat-blade screwdriver is required to establish an electrical connection to screw or push-in terminals.



9 Electrical connection using screw terminals (left) and push-in terminals (right)

Terminal design	Cable design	Cable cross-section
<b>Screw terminals</b> Tightening torque: minimum 0.5 Nm/maximum 0.6 Nm	Rigid or flexible (Stripping length = 7 mm (0.28 in))	0.2 to 2.5 mm <sup>2</sup> (24 to 14 AWG)
	Flexible with wire end ferrules (with or without plastic ferrule)	0.25 to 2.5 mm <sup>2</sup> (24 to 14 AWG)
<b>Push-in spring terminals</b>	Rigid or flexible (Stripping length = 10 mm (0.39 in))	0.2 to 2.5 mm <sup>2</sup> (24 to 14 AWG)
	Flexible with wire end ferrules (with or without plastic ferrule)	0.25 to 2.5 mm <sup>2</sup> (24 to 14 AWG)

## 12.5 Performance characteristics

Response time Following a change of state at the input, the output adopts the safe state in  $\leq 40$  ms.

## 12.6 Mounting

Mounting location The device is designed for installation on 35 mm (1.38 in) DIN rails in accordance with IEC 60715 (TH35).

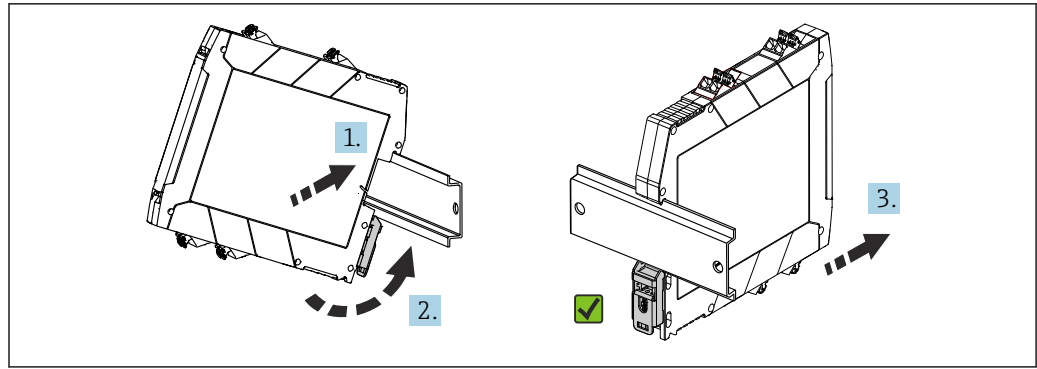
The device's housing provides basic insulation from neighboring devices for 300 Veff. If several devices are installed side by side, this must be taken into consideration and additional insulation must be provided if necessary. If the adjacent device also offers basic insulation, no additional insulation is required.

### NOTICE

- ▶ When using in hazardous areas, the limit values of the certificates and approvals must be observed.

 For information on ambient conditions, see the "Technical data" section.

Installing a DIN rail device The device can be installed in any position (horizontal or vertical) on the DIN rail without lateral clearance from neighboring devices. No tools are required for installation. The use of end brackets (type "WEW 35/1" or equivalent) on the DIN rail is recommended to fix the device.



10 Installing on DIN rail

1. Position the top DIN rail groove at the top end of the DIN rail.
2. While holding the front of the device horizontally, lower it until you hear the locking clip of the device click into place on the DIN rail.
3. Pull gently on the device to check if it is correctly mounted on the DIN rail.

## 12.7 Environment

Important ambient conditions	Ambient temperature range	-20 to 60 °C (-4 to 140 °F)	Storage temperature	-40 to 80 °C (-40 to 176 °F)
	Degree of protection	IP 20	Overvoltage category	II
	Pollution degree	2	Humidity	5 to 95 % No condensation
	Altitude	≤ 2 000 m (6 562 ft)		

Shock and vibration resistance

Vibration resistance as per DNVGL-CG-0339 : 2015 and DIN EN 60068-2-27  
 DIN rail device: 2 to 100 Hz at 0.7g (general vibration stress)  
 Shock resistance as per KTA 3505 (section 5.8.4 Shock test)

Electromagnetic compatibility (EMC)

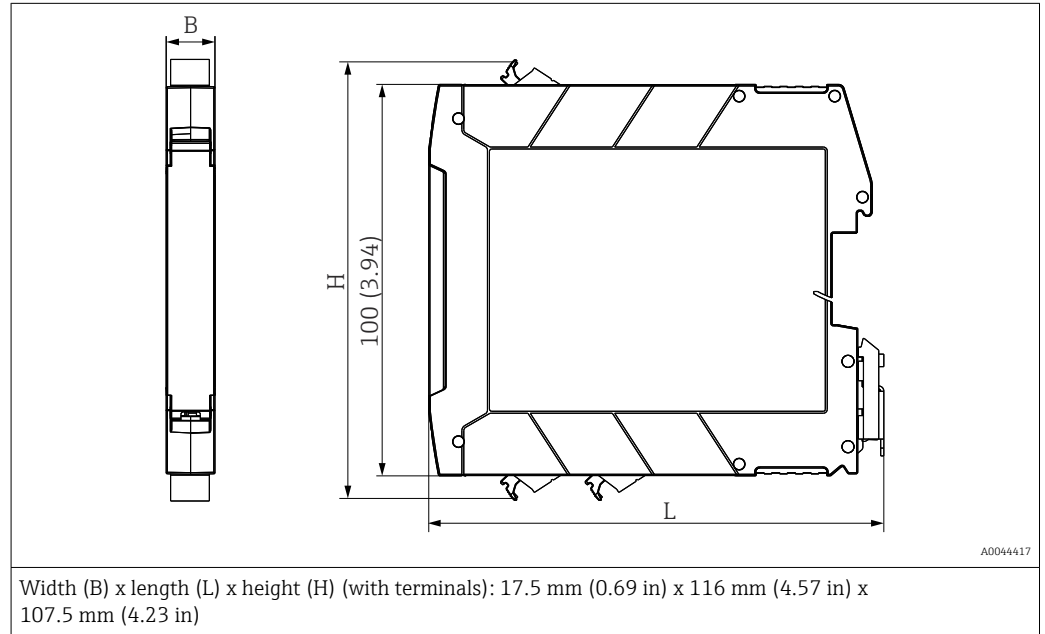
Interference immunity as per EN 61000-6-2  
 Interference emission as per EN 61000-6-4

## 12.8 Mechanical construction

Design, dimensions

Dimensions in mm (in)

Terminal housing for mounting on DIN rail



Weight

Device with terminals (values rounded up):  
Approx. 120 g (4.23 oz)

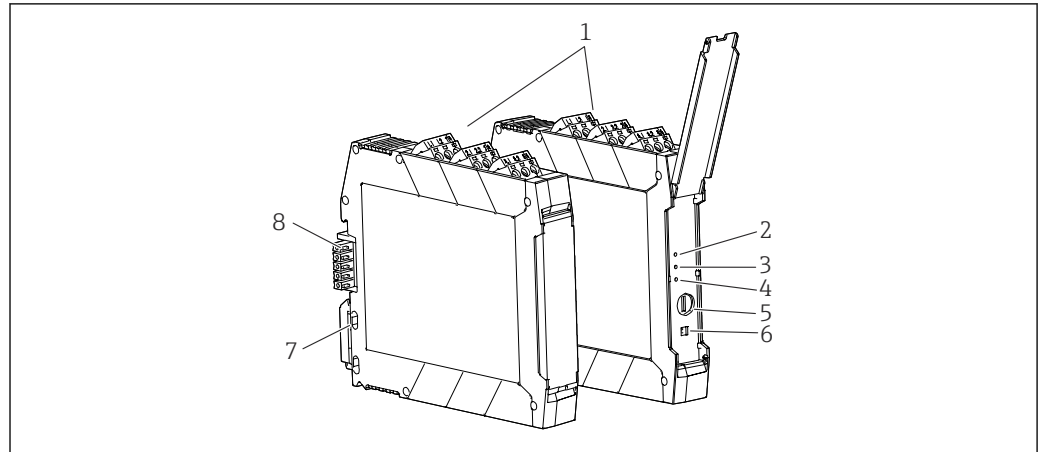
Color

Light gray


Materials

All the materials used are RoHS-compliant.  
Housing: polycarbonate (PC); flammability rating according to UL94: V-0

## 12.9 Display and operating elements RNF22




A0042653

 11 Display and operating elements

- 1 Plug-in screw or push-in terminal
- 2 Green LED "On1" power supply 1
- 3 Green LED "On2" power supply 2
- 4 Red LED "Err" error indication
- 5 Fuse
- 6 DIP switch
- 7 DIN rail clip for DIN rail mounting
- 8 DIN rail bus connector

### Local operation

#### Hardware settings / configuration

 Any device settings using the DIP switch must be made when the device is de-energized.

All DIP switches are set to the "II" position when the device is delivered from the factory.

The following settings are made via the DIP switches:

- Switch off error message when RNF22 Feed-In Module is only supplied by one power supply system (DIP 1)
- Switch on/off group error detection for connected devices (DIP 2)

DIP	I	II (factory setting)
1	Redundant operation	One power supply system
2	Group error message on	Group error message off

## 12.10 Ordering information

Detailed ordering information is available from the nearest sales organization [www.addresses.endress.com](http://www.addresses.endress.com) or in the Product Configurator under [www.endress.com](http://www.endress.com):

1. Select the product using the filters and search field.
2. Open the product page.

The **Configuration** button opens the Product Configurator.



### Product Configurator - the tool for individual product configuration

- Up-to-the-minute configuration data
- Depending on the device: Direct input of measuring point-specific information such as measuring range or operating language
- Automatic verification of exclusion criteria
- Automatic creation of the order code and its breakdown in PDF or Excel output format
- Ability to order directly in the Endress+Hauser Online Shop

## 12.11 Accessories

Various accessories, which can be ordered with the device or subsequently from Endress+Hauser, are available for the device. Detailed information on the order code in question is available from your local Endress+Hauser sales center or on the product page of the Endress+Hauser website: [www.endress.com](http://www.endress.com).

### Device-specific accessories

Type	Order code
DIN rail bus connector 17.5 mm (x 1)	71505352
System power supply	RNB22

### Service-specific accessories

Accessories	Description
Configurator	<p>Product Configurator - the tool for individual product configuration</p> <ul style="list-style-type: none"> <li>▪ Up-to-the-minute configuration data</li> <li>▪ Depending on the device: Direct input of measuring point-specific information such as measuring range or operating language</li> <li>▪ Automatic verification of exclusion criteria</li> <li>▪ Automatic creation of the order code and its breakdown in PDF or Excel output format</li> <li>▪ Ability to order directly in the Endress+Hauser Online Shop</li> </ul> <p>The Configurator is available on the Endress+Hauser website at: <a href="http://www.endress.com">www.endress.com</a>            -&gt; Click "Corporate" -&gt; Select your country -&gt; Click "Products" -&gt; Select the product using the filters and search field -&gt; Open product page -&gt; The "Configure" button to the right of the product image opens the Product Configurator.</p>
W@M	<p>Life cycle management for your plant</p> <p>W@M offers assistance with a wide range of software applications over the entire process: from planning and procurement to the installation, commissioning and operation of the measuring devices. All the relevant information is available for every measuring device over the entire life cycle, such as the device status, device-specific documentation, spare parts etc.</p> <p>The application already contains the data of your Endress+Hauser device. Endress+Hauser also takes care of maintaining and updating the data records.</p> <p>W@M is available:            Via the Internet: <a href="http://www.endress.com/lifecyclemanagement">www.endress.com/lifecyclemanagement</a></p>

## 12.12 Certificates and approvals




For certificates and approvals valid for the device: see the data on the nameplate



Approval-related data and documents: [www.endress.com/deviceviewer](http://www.endress.com/deviceviewer) → (enter the serial number)

## 12.13 Documentation

The following document types are available in the Downloads section of the Endress +Hauser website ([www.endress.com/downloads](http://www.endress.com/downloads)):

 For an overview of the scope of the associated Technical Documentation, refer to the following:

- *W@M Device Viewer* ([www.endress.com/deviceviewer](http://www.endress.com/deviceviewer)): Enter the serial number from the nameplate
- *Endress+Hauser Operations App*: Enter the serial number from the nameplate or scan the matrix code on the nameplate

---

Brief Operating Instructions (KA)

### **Guide that takes you quickly to the 1st measured value**

The Brief Operating Instructions contain all the essential information from incoming acceptance to initial commissioning.

---

Operating Instructions (BA)

### **Your reference guide**

These Operating Instructions contain all the information that is required in various phases of the life cycle of the device: from product identification, incoming acceptance and storage, to mounting, connection, operation and commissioning through to troubleshooting, maintenance and disposal.

---

Safety Instructions (XA)

Depending on the approval, the following Safety Instructions (XA) are supplied with the device. They are an integral part of the Operating Instructions.

 The nameplate indicates the Safety Instructions (XA) that are relevant to the device.

---

Supplementary device-dependent documentation


Additional documents are supplied depending on the device version ordered: Always comply strictly with the instructions in the supplementary documentation. The supplementary documentation is an integral part of the device documentation.



## 13 Appendix: system overview of RN Series

### 13.1 Power supply of RN Series

#### 13.1.1 General information on the power supply of Endress+Hauser isolating amplifiers

 Read the information leaflet enclosed in the package of the individual products.

##### NOTICE

##### Short-circuit hazard; risk of overvoltage

Material damage is possible

- ▶ The supply voltage must never be connected directly to the DIN rail bus connector

##### NOTICE

##### Short-circuit hazard; risk of overvoltage

Material damage is possible

- ▶ If a DIN rail bus connector is used, only a SELV or PELV circuit may be connected to the power supply terminals of the devices

Endress+Hauser RN(x)22 Series isolating amplifiers can be powered either via plug-in connectors on the bottom of the device or, if the devices are wired individually, via pluggable screw-in or push-in terminals. It can be very time-consuming to wire each device individually, particularly if many devices are used. For this reason, Endress+Hauser offers its customers the option of powering a complete standard DIN rail, fitted with isolating amplifiers, via a single power supply terminal - the "DIN rail bus connector". This eliminates the need for time-consuming single wiring, which can be susceptible to error.

Power supply to the DIN rail bus connector can be implemented as follows:

- Direct DC power feed-in at any single device in the group
- DC power feed-in via the RNF22 feed-in power and error message module
- Power supply via the RNB22 system power supply with wide range input  
100 to 240 V<sub>AC</sub> / 100 to 250 V<sub>DC</sub>

#### 13.1.2 Power supply options RN Series (24 V<sub>DC</sub>)

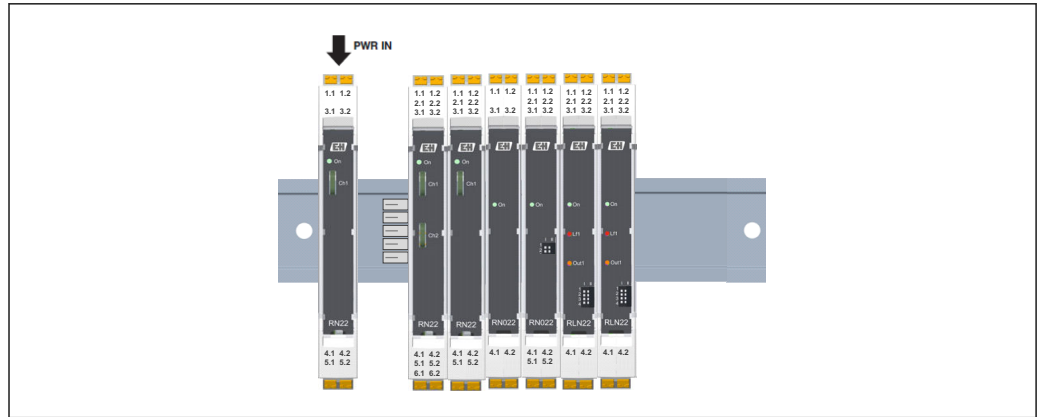
The RN Series devices Rx22 that are compatible with the DIN rail bus connector require a 24 V<sub>DC</sub> power supply. In addition, RN42 active barriers and RLN42 NAMUR isolating amplifiers are also available with an extended supply voltage range of 24 to 230 V<sub>AC/DC</sub>. However, these devices are powered individually and exclusively via the terminals on the device and are **not** suitable for power supply via the DIN rail bus connector.

Apart from the supply of power to individual devices directly via the terminals, multiple RNx22 devices can be powered via the DIN rail bus connector. This connector is powered with 24 V<sub>DC</sub> and supplies power to all the connected isolating amplifiers. This eliminates the need for complex and time-consuming single wiring.

One way to power several devices is to use the RNF22 power and error message modules, which also offer short-circuit and line break detection. These modules also enable redundant power feed-in where necessary.

#### 13.1.3 Direct 24 V<sub>DC</sub> power feed-in at any single device in the group

This type of power feed-in is particularly useful if only a few (approx. 2-8) isolating amplifiers need to be powered and error monitoring is not required.



A0045541

12 Direct power feed-in at any device in the group

**At a glance**

- Solution for small installations with just a few devices (total power consumption  $I_{max} < 400\text{ mA}$ )
- $24\text{ V}_{DC}$  power supply available in the cabinet
- Redundancy not required
- No group error evaluation of line or short-circuit monitoring (only relevant for RLN22 NAMUR isolating amplifier)

In the case of direct power feed-in, all the devices connected to the DIN rail bus connector are powered via the power supply at an isolating amplifier. In this configuration, please note that the maximum total power consumption of  $I_{max} = 400\text{ mA}$  may not be exceeded and therefore the maximum number of devices is limited. Please refer to the Brief Operating Instructions (KA) or Technical Information (TI) for information on the current consumption of the individual isolating amplifiers. The maximum number of devices is calculated using the following formula:

$$n_{\text{modules}} = I_{\text{max}} / I_N = (400\text{ mA}) / I_N$$

$$I_N = n_1 \cdot I_{\text{module1}} + n_2 \cdot I_{\text{module2}} + \dots$$

A 500 mA fuse must be connected in series upstream. Furthermore, you must ensure that the  $24\text{ V}_{DC}$  power supply used is guaranteed to trip the fuse in the event of an error.

**Example: direct power feed-in via one device**

You wish to supply power to four RN22 active barriers and three RLN22 NAMUR isolating amplifiers with an operating voltage of  $24\text{ V}_{DC}$ . First consult the Brief Operating Instructions to determine the current consumption of the devices. This is 70 mA per device for the RN22 active barriers (1-channel), and 35 mA per device in the case of the RLN22 NAMUR isolating amplifiers (2-channel). The total current consumption must then be determined using the following formula:

$$I_N = n_1 \cdot I_{\text{module1}} + n_2 \cdot I_{\text{module2}} + \dots$$

$$I_N = 4 \cdot 70\text{ mA} + 3 \cdot 35\text{ mA} = 385\text{ mA} < 400\text{ mA}$$

**Direct  $24\text{ V}_{DC}$  power feed-in at any single device**

$$I_{\text{max}} < 400\text{ mA}$$

$$\text{Formula: } I_N < I_{\text{max}} < 400\text{ mA}; I_N = n_1 \cdot I_{\text{module1}} + n_2 \cdot I_{\text{module2}} + \dots$$

Device ( $24\text{ V}_{DC}$ )	Current consumption per device (mA)	Number of devices	Total current consumption (mA)
RN22 1-channel	70	4	280
RN22 2-channel	130	0	0

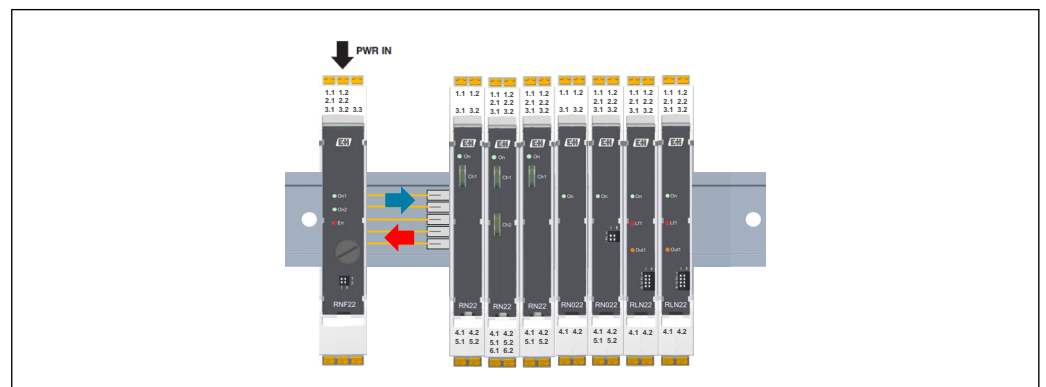
Device (24 V <sub>DC</sub> )	Current consumption per device (mA)	Number of devices	Total current consumption (mA)
RN22 signal doubler	100	0	0
RLN22 1-channel	21	0	0
RLN22 2-channel	35	3	105
RNO22 1-channel	45	0	0
RNO22 2-channel	85	0	0
	I <sub>max</sub> : 400 mA	7	385

The total current consumption of 385 mA is less than the maximum permitted current of 400 mA. The fuse to be connected in series upstream from the power-supplying isolating amplifier should have a maximum rated current of 500 mA. To guarantee that the fuse trips in the event of a short-circuit, the 24 V<sub>DC</sub> power is supplied in this example by an RNB22 power supply of 24 V<sub>DC</sub> 2.5 A.

With this type of power feed-in, it is important to note that the maximum number of devices is very limited and that short-circuit and line break detection is not possible. Short-circuit and line break detection is provided by the power supply solution described in the next section.

### 13.1.4 Power supply via RNF22 power and error message module

This version is particularly well suited for a larger number of isolating amplifiers mounted side by side, e.g. in new installations. In addition, error monitoring can be implemented with this solution.



13 Power supply via RNF22 power and error message module

#### At a glance

- 24 V<sub>DC</sub> power supply available in the cabinet
- Maximum current consumption of connected RN devices (total current consumption I<sub>max</sub> < 3.75 A)
- Redundant power feed-in possible via two power supplies
- Group error message, line or short-circuit monitoring of side-by-side RLN22 NAMUR isolating amplifiers

RNF22 power modules are particularly suitable for supplying power to RNx22 devices. Here, a total current of 3.75 A can be realized. These modules also offer the additional advantage of integrated error evaluation. A power supply failure or fuse error is signaled by a relay contact and indicated by a flashing LED. The power feed-in can be redundant if required. The diodes integrated in the device ensure the separation of the power supplies used for power feed-in. In addition, mechanical redundancy is also possible by using two power supply terminals. The power supply terminal(s) are each fused by an integrated 5 A fuse.

Irrespective of whether you are using one or two RNF22 power modules, you can calculate the maximum number of devices using the following formula and the information in the Brief Operating Instructions:

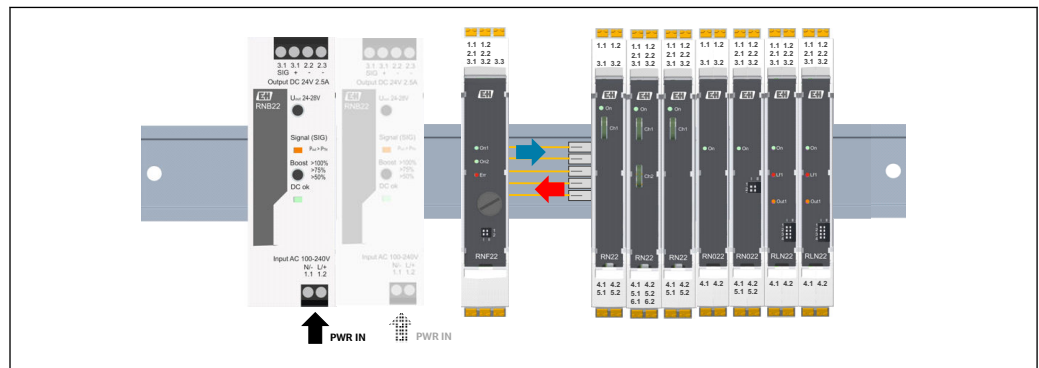
$$n_{\text{modules}} = I_{\text{max}}/I_N = (3.75 \text{ A})/I_N$$

$$I_N = n_1 \cdot I_{\text{module1}} + n_2 \cdot I_{\text{module2}} + \dots$$

If power feed-in is via the RNF22 power modules, power can be supplied by a single RNB22 power supply. Alternatively, redundant power feed-in by two different power supplies is also possible.

### 13.1.5 Power supply via the RNB22 system power supply and RNF22 power module (redundant)

The advantage of this version with power feed-in to the DIN rail bus connector is that a 24 V<sub>DC</sub> power supply does not have to be available in the cabinet. This type of power feed-in is the best solution particularly for decentralized applications where only 230 V<sub>AC</sub> is available.



14 Power supply via "optional redundant" RNB22 system power supply and RNF22 power module

#### At a glance

- Single or redundant power feed-in via two RNB22 (2.5 A) power supplies and one RNF22 power module
- Redundancy with total load up to 2.5 A (at 60 °C ambient temperature)
- Maximum load 3.75 A via RNF22 power module
- Can be used if 24 V<sub>DC</sub> power supply is not available in cabinet
- Group error message, line or short-circuit monitoring of side-by-side RLN22 NAMUR isolating amplifiers

Power feed-in via the RNF22 power and error message module can be via one RNB22 system power supply, or via two RNB22 system power supplies (redundant configuration). In this case it is important that both power circuits of the RNB22 are separately fused. With this type of power supply, a maximum of 3.75 A can be fed into the DIN rail bus connector.

#### Example: power feed-in via redundant RNB22 system power supply and one RNF22 power module

You wish to supply power to 15 RN22 active barriers (1-channel), 5 RN22 active barriers (2-channel), 3 RN22 signal doublers, 12 RLN22 NAMUR isolating amplifiers (1-channel) and 5 RNO22 output isolating amplifiers (1-channel) with an operating voltage of 24 V<sub>DC</sub>.

First consult the Brief Operating Instructions to determine the current consumption of the devices. For the intrinsically safe RN22 active barriers this is 70 mA (1-channel), 130 mA (2-channel) and 100 mA (signal doubler) per device, and 21 mA in the case of the RLN22 NAMUR isolating amplifiers (1-channel). The RNO22 output isolating amplifiers (1-channel) each require 45 mA.

The total current consumption must then be determined using the following formula:

$$I_N = n_1 \cdot I_{\text{module1}} + n_2 \cdot I_{\text{module2}} + \dots$$

### Power feed-in via RNF22 power module with redundancy

RNB22: 2.5 A ( $I_N$ ) at  $T_a \leq 60^\circ\text{C}$

Formula:  $I_N < I_{\text{max}} < 2.5\text{ A}$ ;  $I_N = n_1 \cdot I_{\text{module1}} + n_2 \cdot I_{\text{module2}} + \dots$

Device (24 V <sub>DC</sub> )	Current consumption per device (mA)	Number of devices	Total current consumption (mA)
RN22 1-channel	70	15	1050
RN22 2-channel	130	5	650
RN22 signal doubler	100	3	300
RLN22 1-channel	21	12	252
RLN22 2-channel	35	0	0
RNO22 1-channel	45	5	225
RNO22 2-channel	85	0	0
	$I_{\text{max}}: 2\,500\text{ mA}$	<b>40</b>	<b>2477</b>

The total current consumption of 2 477 mA is less than the nominal current ( $I_N=2.5\text{ A}$ ) of the RNB22 at  $60^\circ\text{C}$  ambient temperature and less than the maximum permitted current of the RNF22 power module (max. 3 750 mA). To ensure a redundant power supply and to guarantee that the fuse integrated in the RNF22 trips in the event of a short-circuit, the 24 V<sub>DC</sub> power is supplied in this example by two RNB22 power supplies 2.5 A / 24 V<sub>DC</sub>, which each provide a short-circuit current of 5.6 A.

Please note: in this arrangement, the power supply to all the isolating amplifiers is interrupted if the RNF22 power and error message module fails.

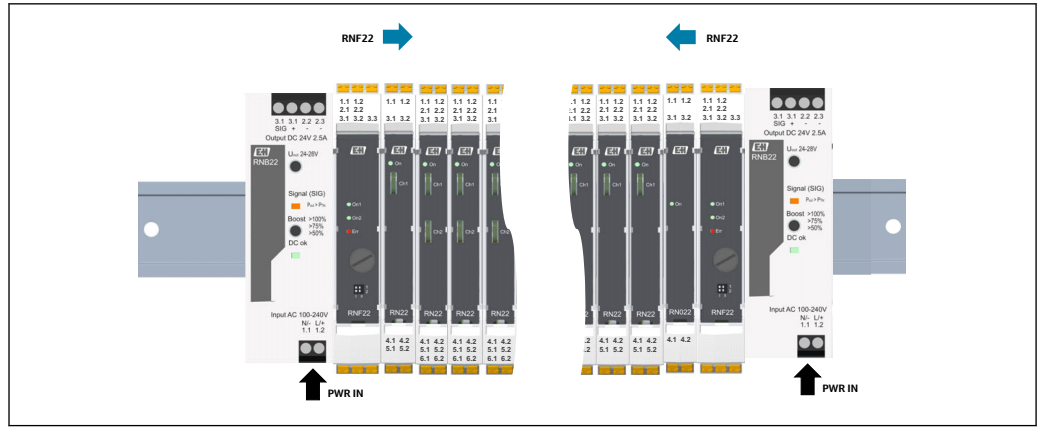
### 13.1.6 Example: power feed-in via two RNF22 power modules (redundant)

If you require a redundant power supply via two RNF22 power modules, each device must be powered from a separate voltage supply. These supplies should be arranged outside on the DIN rail in order to limit the maximum short-circuit current in the event of an error.

Without redundancy and with power supplies operating in static boost mode, a maximum current of 3.15 A may not be exceeded for each power supply side in this solution. To increase the total number of isolating amplifiers mounted side by side, a maximum current of 6 A can be fed into the DIN rail bus connector via the two power supply terminals.

#### At a glance

- "Full" redundancy with power feed-in via two RNB22 and two RNF22 power modules and maximum load of 2.5 A at  $60^\circ\text{C}$  ambient temperature
- If redundancy is not required, maximum system load of up to 6 A is possible ( $2 \cdot 3.15\text{ A}$  static boost)
- Group error message, line or short-circuit monitoring of RLN22 NAMUR isolating amplifiers



15 Example of power feed-in via two RNF22 power modules

Please note: with a load of up to 2.5 A, the power supply is redundant with ambient temperatures up to 60 °C.

**Example: power feed-in via two RNF22 power modules**

You wish to operate the system at maximum possible load without redundancy and with power supplied to 20 RN22 active barriers (1-channel), 10 RN22 active barriers (2-channel), 5 RN22 signal doublers, 20 RLN22 NAMUR isolating amplifiers (1-channel), 20 RLN22 (2-channel), 15 RNO22 output isolating amplifiers (1-channel) and 10 RNO22 (2-channel) at an operating voltage of 24 V<sub>DC</sub>.

First consult the Brief Operating Instructions to determine the current consumption of the devices. For the intrinsically safe RN22 active barriers this is 70 mA (1-channel) and 130 mA (2-channel) per device, 100 mA for the RN22 signal doubler, 21 mA for the RLN22 NAMUR isolating amplifier (1-channel) and 45 mA in the case of the RLN22 (2-channel). We take the current consumption of each RNO22 output isolating amplifier (1-channel) to be 45 mA, and that of each RNO22 (2-channel) to be 85 mA.

The total current consumption must then be determined using the following formula:

$$I_N = n_1 \cdot I_{\text{module1}} + n_2 \cdot I_{\text{module2}} + \dots$$

**Power feed-in via two RNF22 power and error modules**

$$2 \cdot \text{RNB22} + 2 \cdot \text{RNF22}: 2 \cdot 3.15 \text{ A (static boost)} \rightarrow 6 \text{ A (at } T_a = 40 \text{ °C)}$$

$$\text{Formula: } I_N = n_1 \cdot I_{\text{module1}} + n_2 \cdot I_{\text{module2}} + \dots$$

Device (24 V <sub>DC</sub> )	Current consumption per device (mA)	Number of devices	Total current consumption (mA)
RN22 1-channel	70	20	1400
RN22 2-channel	130	10	1300
RN22 signal doubler	100	5	500
RLN22 1-channel	21	20	420
RLN22 2-channel	35	20	700
RNO22 1-channel	45	15	675
RNO22 2-channel	85	10	850
	<b>Imax: 6 000 mA</b>	<b>100</b>	<b>5845</b>

The total current consumption of 5 845 mA is less than the maximum permitted current with two power supplies (max. 6 A) in static boost mode. To ensure that the fuse integrated in the RNF22 power modules is guaranteed to trip in the event of a short-

circuit, the  $24 V_{DC}$  power is supplied in this example by two RNB22 power supplies, which provide a short-circuit current of  $2 \cdot 5.6 A = 11.2 A$ .

## 13.2 Applications of the RN Series devices

This section describes the typical applications of the RN Series devices.

These devices perform various functions during signal conditioning:

- Amplification
- Normalization
- Filtering
- Galvanic isolation
- Supply of electrical power to connected sensors
- Line monitoring

The devices for these tasks are collectively known as isolating amplifiers or signal isolators and are available with different functions in the Endress+Hauser RN Series. Different types of signals are conditioned in this context.

### 13.2.1 Types of signals

Signals are referred to as **analog** signals if they can continuously assume every value between a minimum and maximum value (e.g. 0/4-20 mA) and are therefore also known as "value-continuous" signals. The value range in this interval is huge and is practically infinite in terms of measuring accuracy.

Electrical analog signals are generated with the help of a sensor, for example, which records the states, or changes of state, of physical variables and converts them to an electrical signal.

The following variables are typically measured in system and process engineering using Endress+Hauser measuring devices:

- Temperature
- Pressure
- Level
- Flow
- Analysis values (e.g. turbidity, conductivity, pH etc.)

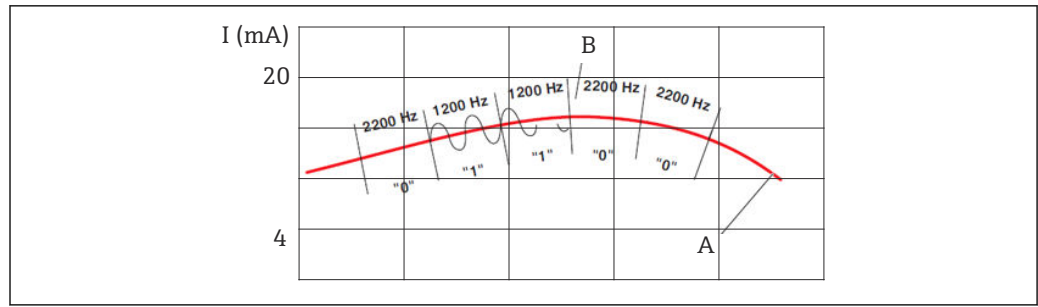
These analog signals are evaluated in the controller (PLC) and the signals can be used in a "target device": e.g. for

- Display devices, e.g. level indication via RIA15
- Control unit, e.g. level control
- Actuators, e.g. to fill a tank

A transmitter can also be connected downstream of the sensor. This transmitter converts the analog measured value signal to a standard signal and thereby enables the further processing of the signal with additional standardized, electrical modules. The transmitter can also be integrated in the sensor housing.

**Binary signals** only assume two values and signal the states "on" or "off" / "1" or "0" with these values. Binary signals are often equated with "digital" signals because digital signals are generally binary encoded.

**HART** (Highway Addressable Remote Transducer) signals are essentially characterized by the fact that they are operated and used as a complement to classic analog standard signals, in contrast to other digital fieldbus systems. HART therefore does not replace point-to-point wiring but rather enables the integration of smart field devices. The digital signals are modulated onto an analog 4 to 20 mA standard current signal using HART modulation in order to transmit digital information in addition to the analog information of the process value.



A0045578

16 Modulated HART signal

A Analog signal

B Digital signal

**NAMUR** sensors are operated with a transmitted current and have four states so that sensor errors can also be detected by an analog evaluation unit. This is sometimes referred to as the "closed circuit current principle".

NAMUR sensors can adopt four states at the output:

- Current 0 mA: wire break; circuit open
- Current <1.2 mA: sensor ready, undamped
- Current >2.1 mA: sensor ready, damped
- Current maximum value >6 mA: short-circuit, maximum current

**The portfolio of the RN Series offers the following function modules:**

- RN22, RN42 active barrier
- RN22 signal doubler
- RLN22, RLN42 NAMUR isolating amplifier
- RNO22 output isolating amplifier

### 13.2.2 RN22 active barrier

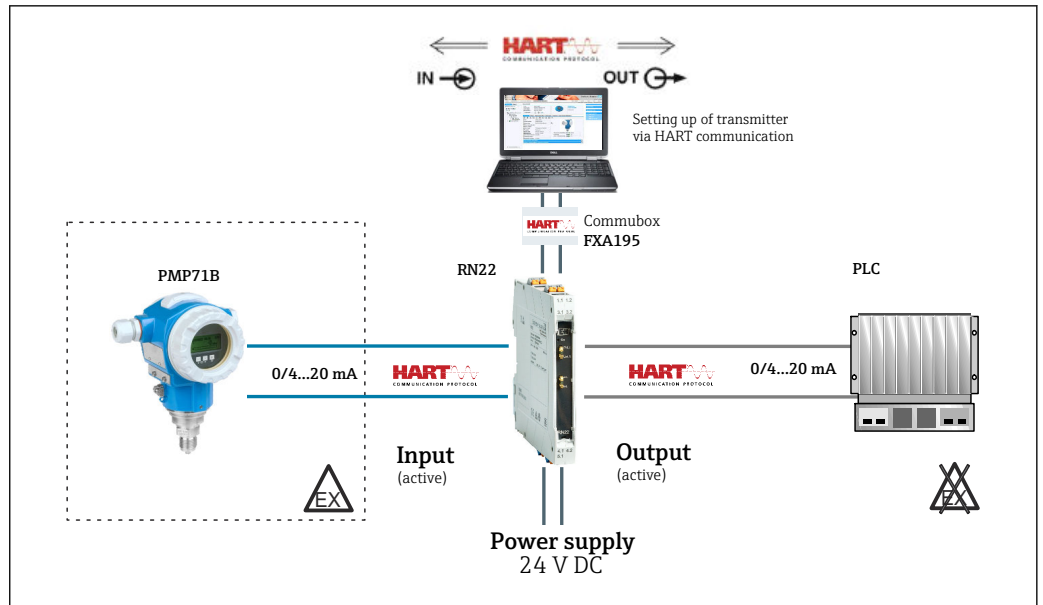
The active barriers perform several functions. In addition to galvanic signal isolation and the proportional transmission of analog 0/4-20 mA signals, they also provide power to connected sensors. The RN22 devices are HART-transparent, i.e. they also transmit the HART information supplied by the PMP71B. Via the HART connections on the front, HART signals can be measured or connected "SMART" sensors can be easily configured.

The following are examples of typical applications of the RN22 active barrier. Each application is explained briefly and described in a schematic diagram.

#### **Example: pressure measurement in a hazardous area**

- The passive 2-wire PMP71B sensor supplies a current signal, which is proportional to the pressure, to the active input of the RN22 active barrier
- The RN22 active barrier supplies an active current output signal, which is proportional to the input signal, to a passive input of the evaluation unit





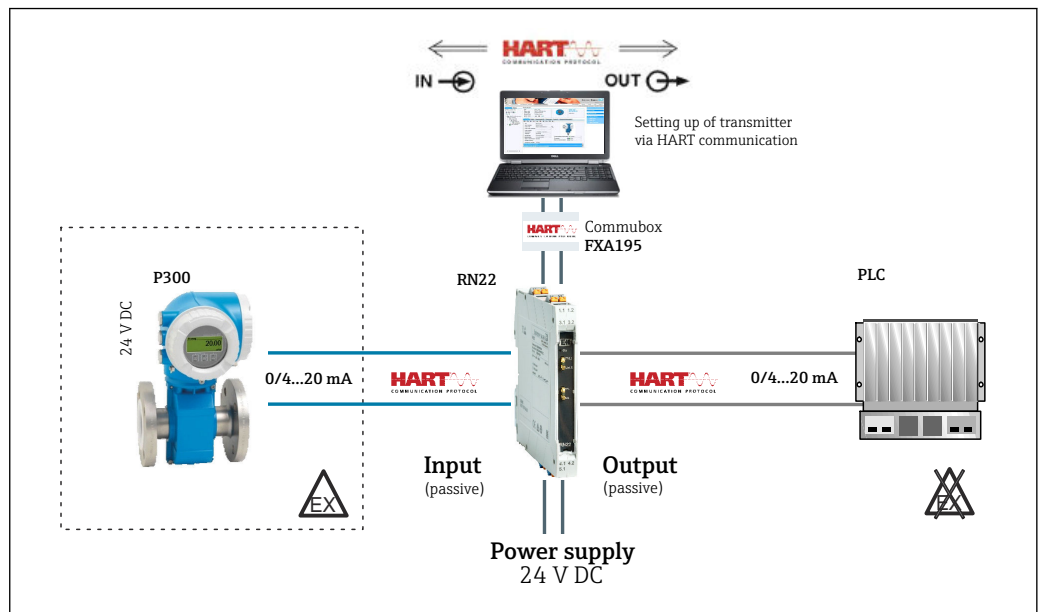
A0045579

17 Pressure measurement in a hazardous area with an RN22 active barrier

Please note: the devices have an active and passive current input to which a 2-wire or 4-wire transmitter can be directly connected. The output of the device can be operated actively or passively. The current signal is then available to the PLC / controller or to other instrumentation.

**Example: flow measurement in a hazardous area**

- The active 4-wire Promag P300 sensor supplies a current signal, which is proportional to the flow, to the passive input of the isolating amplifier
- The RN22 active barrier supplies a passive current output signal, which is proportional to the input signal, to an active input of the evaluation unit

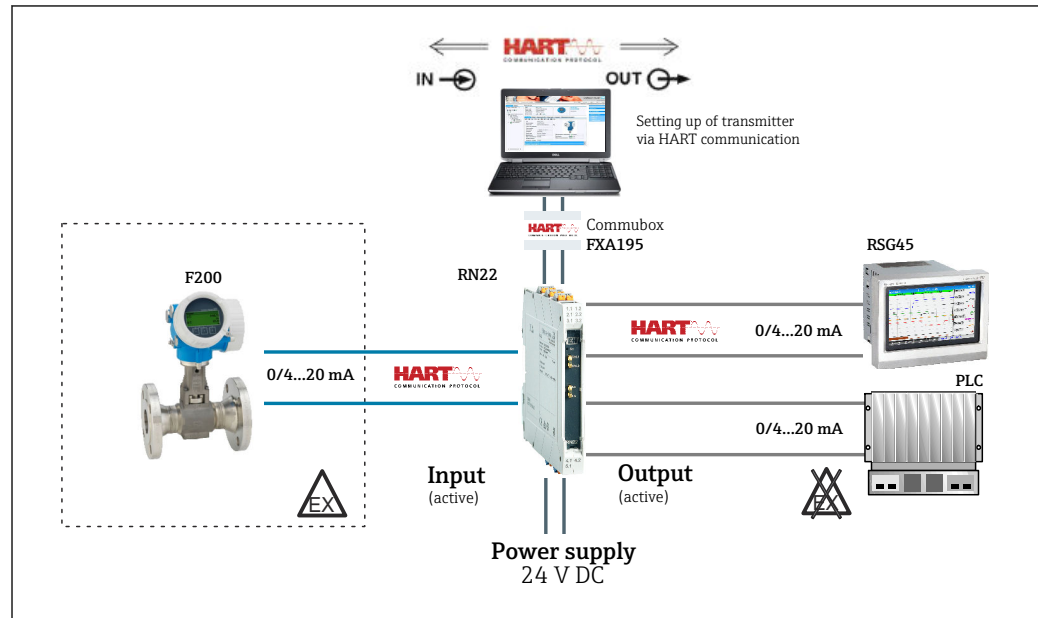


A0045580

18 Flow measurement in the hazardous area with an RN22 active barrier

**Example: flow measurement in a hazardous area – signal doubling**

- The passive 2-wire Prowirl F200 sensor supplies a current signal, which is proportional to the flow, to the active input of the isolating amplifier
- The RN22 signal doubler supplies the HART signal and an active current output signal, which is proportional to the input signal, to a passive input of the RSG45 data manager
- The RN22 signal doubler supplies an active current output signal, which is proportional to the input signal, to a passive input of the controller (HART signal filtered)



19 Flow measurement in the hazardous area with an RN22 signal doubler

Please note: the outputs can be operated as active or passive outputs independently of one another.

### 13.2.3 RLN22 NAMUR isolating amplifier

The NAMUR isolating amplifiers isolate and convert the analog NAMUR signal of connected proximity or limit switches to binary relay output states.

The abbreviation "NAMUR" is based on the former association name "Normen Arbeitsgemeinschaft für Mess- und Regeltechnik in der chemischen Industrie (Standardization Association for Measurement and Control in Chemical Industries)". While NAMUR's subtitle has since changed, the abbreviation has been kept. NAMUR sensors are proximity sensors or limit switches that are widely used in process automation. Endress+Hauser offers capacitance, conductive and vibronic sensors for the various applications. The electrical properties of sensors according to the NAMUR standard and their measuring characteristics are standardized. Therefore, they are vendor-independent and replacement is not restricted to the products of a specific vendor. NAMUR sensors are short-circuit proof. A short-circuit and line break in the sensor line can be detected by the RLN22 evaluating unit. A NAMUR sensor does not need a separate power supply: its power is supplied via the measuring circuit.

The operating voltage of the field loop in the "NAMUR measuring circuit" should be  $8 \pm 1$  Volt, and the load on short-circuit between 100 to 360  $\Omega$ .

NAMUR sensors are operated with a transmitted current and have four states so that sensor errors can also be detected by an analog evaluation unit. This is sometimes referred to as the "closed circuit current principle".

NAMUR sensors can adopt four states at the output:

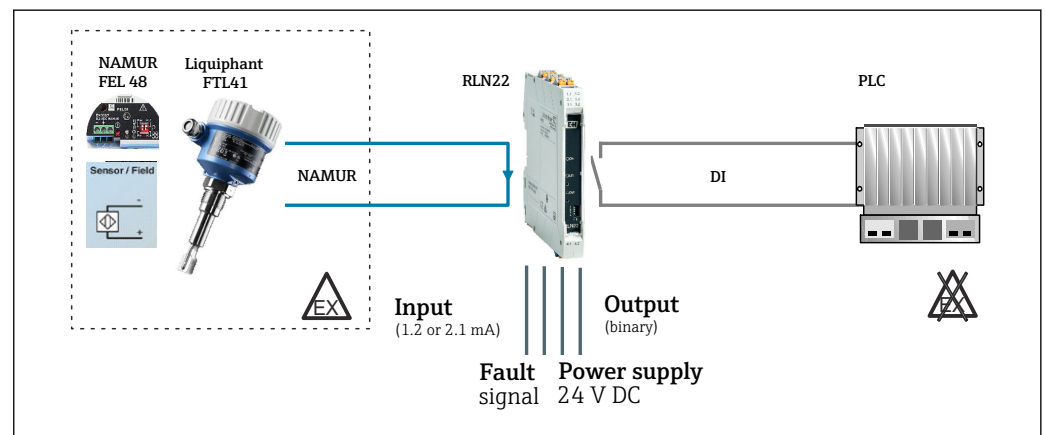
- Current 0 mA: wire break; circuit open
- Current <1.2 mA: sensor ready, undamped
- Current >2.1 mA: sensor ready, damped
- Current maximum value >6 mA: short-circuit, maximum current

A common application of NAMUR sensors is limit value monitoring in process automation. For this, analog signals are often only evaluated in a binary manner for a controller, e.g. if the application involves monitoring the level in a tank or monitoring a temperature, whereby a counteraction should be triggered if a limit value is exceeded. Here, the temperature currently measured can only be used to determine whether the temperature is above or below the limit value, for example.

The following are examples of typical applications of the RLN22 NAMUR isolating amplifier. Each application is explained briefly and described in a schematic diagram.

**Example: digital isolating amplification of NAMUR sensor signals from a hazardous area**

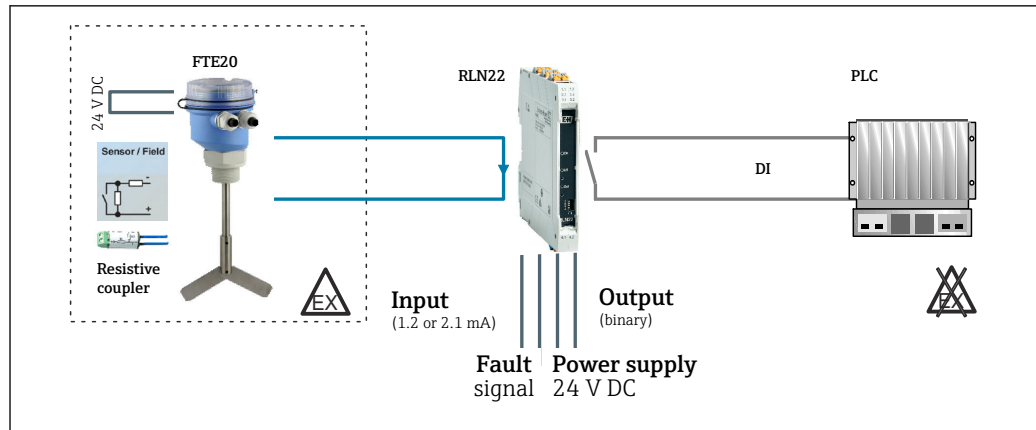
- The passive Liquiphant FTL41 sensor with the FEL48 evaluation unit supplies a NAMUR signal value 1.2 mA or 2.1 mA to the active input of the isolating amplifier
- The RLN22 NAMUR isolating amplifier supplies a binary output signal (relay contact), which depends on the input signal, to a digital input of the controller
- Line breaks or short-circuits of the 2-wire sensor line are indicated by LEDs on the RLN22, and - if the DIN rail bus connector is used - are reported as a group error message to the RNF22 power and error message module



20 NAMUR limit detection, Liquiphant FTL41 with FEL48 NAMUR evaluation in the hazardous area

**Example: signal isolation of sensors with mechanical contacts from a hazardous area**

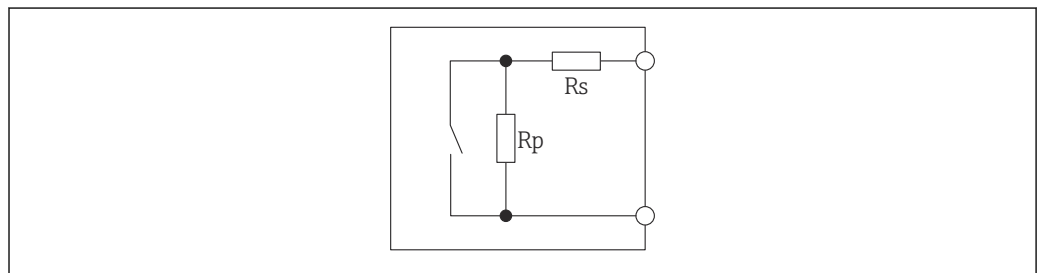
- The FTE20 rotary paddle switch reports the state via a mechanical switching contact
- The sensor and the connecting cables are monitored for line breaks and short-circuiting via the resistive coupling element, which is available as an accessory for the RLN22
- The RLN22 NAMUR isolating amplifier supplies a binary output signal, which depends on the input signal, to a digital input of the controller
- Line breaks or short-circuits of the 2-wire sensor line are indicated by LEDs on the RLN22, and - if the DIN rail bus connector is used - are reported as a group error message to the RNF22 power and error message module. At the same time, the output relay de-energizes to the currentless state.



A0045583

21 NAMUR limit detection with FTE20 paddle switch with line monitoring in the hazardous area

Line monitoring for line breaks and short-circuiting can be implemented with the resistive coupling element (can be optionally ordered for the RLN22 NAMUR isolating amplifier), which is looped into the connection compartment of the FTE20 on the sensor side. This monitoring function is described in greater detail in the NE21 Recommendations (User Association of Automation Technology in Process Industries (NAMUR)).



A0045584

22 Resistance circuit for line monitoring (short-circuit and line break)

$R_s$ : 1 k $\Omega$

$R_p$ : 10 k $\Omega$

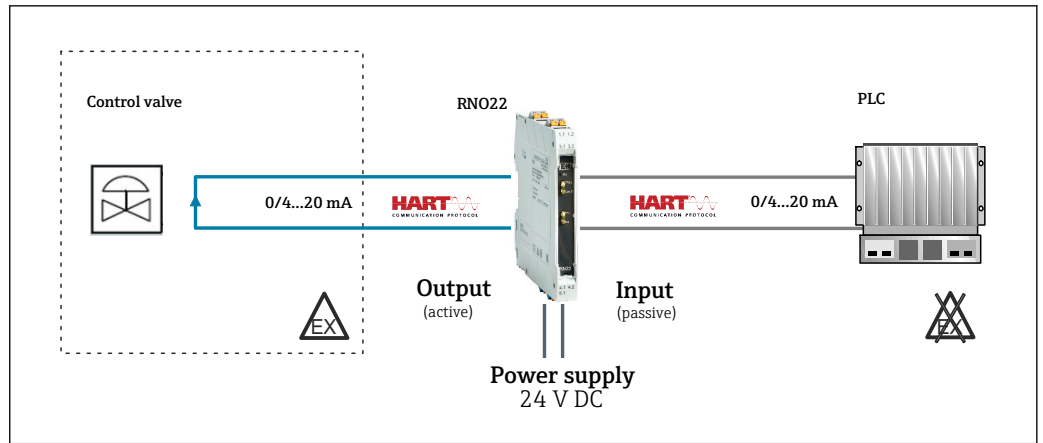
### 13.2.4 RNO22 output isolating amplifier

Output isolating amplifiers are used to control I/P transducers, control valves and indicators. The device separates and transmits 0/4-20 mA signals. For operating the SMART actuators, the analog measuring value can be overlaid with digital HART communication signals and transmitted bidirectionally in an electrically isolated manner. The device enables open-circuit and short-circuit monitoring.

The following example shows a typical application of the RNO22 output isolating amplifier. The application is explained briefly and described in a schematic diagram.

#### Example: control valve activation in the hazardous area

- The active output of the control unit supplies an analog current signal to the passive input of the RNO22 output isolating amplifier
- The RNO22 supplies a 0/4-20 mA active current output signal, which is proportional to the input signal, and the HART signal to the control valve, which is controlled by the signal



A0045585

23 Control valve activation in the hazardous area with an RNO22 output isolating amplifier

# Index

## A

- Accessories
  - Device-specific . . . . . 23

## C

- CE mark . . . . . 6

## D

- Declaration of Conformity . . . . . 6
- Device documentation
  - Supplementary documentation . . . . . 24
- Display and operating elements
  - Overview . . . . . 13, 22
- Document
  - Function . . . . . 3
- Document function . . . . . 3

## H

- Hardware settings
  - Configuration . . . . . 13, 22

## N

- Nameplate . . . . . 7

## O

- Operation options
  - Local operation . . . . . 13, 22
- Operational safety . . . . . 5

## P

- Product safety . . . . . 6

## R

- Requirements for personnel . . . . . 5
- Return . . . . . 16

## S

- Safety Instructions (XA) . . . . . 24

## T

- Terminal assignment . . . . . 12, 18
- Troubleshooting
  - General faults . . . . . 15

## W

- Workplace safety . . . . . 5





71545872

[www.addresses.endress.com](http://www.addresses.endress.com)

---