



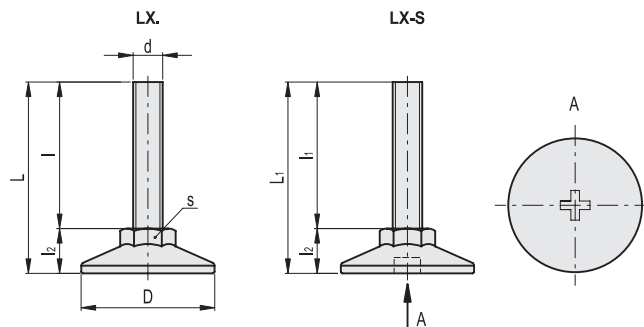
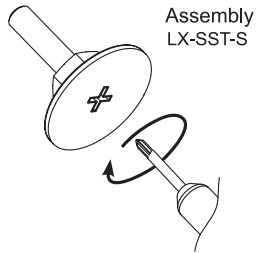
BASE

Polyamide based (PA) technopolymer with adjusting hexagon, black colour, matte finish.



STANDARD EXECUTIONS

- **LX-SST**: AISI 304 stainless steel threaded stem.
- **LX-SST-S**: AISI 304 stainless steel threaded stem, base with screwdriver slot.
- **LX-AS-SST**: AISI 304 stainless steel threaded stem, base with SBR rubber no-slip disk, supplied assembled to the base.



Levelling feet and supports

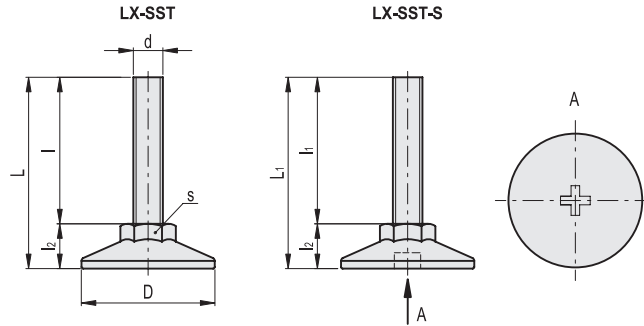
LX-SST

LX-SST-S



Code	Description	Code	Description	D	d	L	L1	l	l1	l2	s	Max. limit static load* [N]	⚖️
431101	LX.25-SW13-SST-M6x24	431101-S	LX.25-SW13-SST-M6x26-S	25	M6	35	37	24	26	11	13	1500	8
431103	LX.25-SW13-SST-M6x34	431103-S	LX.25-SW13-SST-M6x36-S	25	M6	45	47	34	36	11	13	1500	10
431105	LX.25-SW13-SST-M6x54	431105-S	LX.25-SW13-SST-M6x56-S	25	M6	65	67	54	56	11	13	1500	14
431113	LX.25-SW13-SST-M8x22	431113-S	LX.25-SW13-SST-M8x24-S	25	M8	35	37	24	26	11	13	2500	16
431115	LX.25-SW13-SST-M8x32	431115-S	LX.25-SW13-SST-M8x34-S	25	M8	43	45	32	34	11	13	2500	10
431117	LX.25-SW13-SST-M8x52	431117-S	LX.25-SW13-SST-M8x54-S	25	M8	63	65	52	54	11	13	2500	12

* The max static load is the value above which the load applied to the element may cause some plastic material breakage, in particular conditions of use. Obviously, a factor that takes into consideration the importance and the safety level of the specific application must be applied to this value.



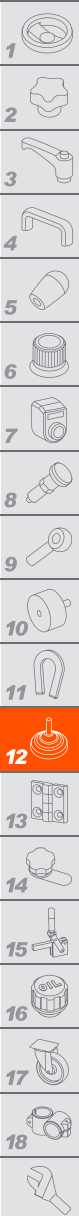
LX-SST

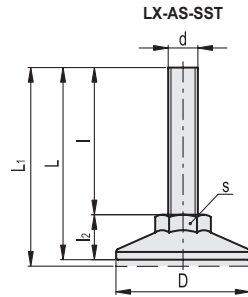
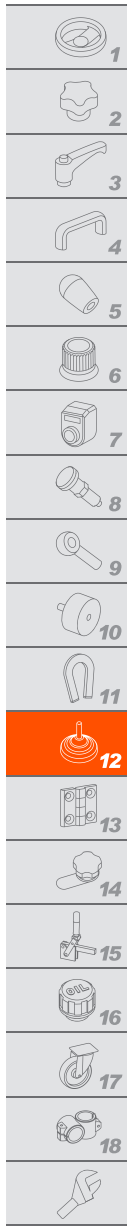
LX-SST-S



Code	Description	Code	Description	D	d	L	L1	l	l1	l2	s	Max. limit static load* [N]	
431151	LX.30-SW17-SST-M6x22	431151-S	LX.30-SW17-SST-M6x26-S	30	M6	35	38	23	26	12	17	1500	14
431153	LX.30-SW17-SST-M6x32	431153-S	LX.30-SW17-SST-M6x36-S	30	M6	45	48	33	36	12	17	1500	18
431155	LX.30-SW17-SST-M6x52	431155-S	LX.30-SW17-SST-M6x56-S	30	M6	65	68	53	56	12	17	1500	22
431159	LX.30-SW17-SST-M8x21	431159-S	LX.30-SW17-SST-M8x23-S	30	M8	33	35	21	24	12	17	2500	14
431161	LX.30-SW17-SST-M8x31	431161-S	LX.30-SW17-SST-M8x33-S	30	M8	43	45	31	34	12	17	2500	16
431163	LX.30-SW17-SST-M8x51	431163-S	LX.30-SW17-SST-M8x53-S	30	M8	63	65	51	54	12	17	2500	20
431171	LX.30-SW17-SST-M10x31	431171-S	LX.30-SW17-SST-M10x33-S	30	M10	43	45	31	34	12	17	3000	17
431175	LX.30-SW17-SST-M10x51	431175-S	LX.30-SW17-SST-M10x53-S	30	M10	63	65	51	54	12	17	3000	18
431179	LX.30-SW17-SST-M10x71	431179-S	LX.30-SW17-SST-M10x73-S	30	M10	83	85	71	74	12	17	3000	20
431133	LX.40-SW17-SST-M8x20	431133-S	LX.40-SW17-SST-M8x22-S	40	M8	33	34.5	19.5	21	13.5	17	2500	24
431135	LX.40-SW17-SST-M8x30	431135-S	LX.40-SW17-SST-M8x32-S	40	M8	43	44.5	29.5	31	13.5	17	2500	28
431137	LX.40-SW17-SST-M8x50	431137-S	LX.40-SW17-SST-M8x52-S	40	M8	63	64.5	49.5	51	13.5	17	2500	21
431142	LX.40-SW17-SST-M10x30	431142-S	LX.40-SW17-SST-M10x32-S	40	M10	42	44.5	28.5	31	13.5	17	3000	22
431144	LX.40-SW17-SST-M10x50	431144-S	LX.40-SW17-SST-M10x52-S	40	M10	62	64.5	48.5	51	13.5	17	3000	24
431146	LX.40-SW17-SST-M10x70	431146-S	LX.40-SW17-SST-M10x72-S	40	M10	82	84.5	68.5	71	13.5	17	3000	26
431148	LX.40-SW17-SST-M12x50	431148-S	LX.40-SW17-SST-M12x52-S	40	M12	62.5	64.5	49	51	13.5	17	5000	34
431149	LX.40-SW17-SST-M12x70	431149-S	LX.40-SW17-SST-M12x72-S	40	M12	82.5	84.5	69	71	13.5	17	5000	40
431150	LX.40-SW17-SST-M12x100	431150-S	LX.40-SW17-SST-M12x102-S	40	M12	112.5	114.5	99	101	13.5	17	5000	50
431181	LX.50-SW19-SST-M10x46	431181-S	LX.50-SW19-SST-M10x51-S	50	M10	64	68	47	51	17	19	3000	64
431182	LX.50-SW19-SST-M10x66	431182-S	LX.50-SW19-SST-M10x71-S	50	M10	84	88	67	71	17	19	3000	68
431183	LX.50-SW19-SST-M10x96	431183-S	LX.50-SW19-SST-M10x101-S	50	M10	114	118	97	101	17	19	3000	75
431184	LX.50-SW19-SST-M12x46	431184-S	LX.50-SW19-SST-M12x51-S	50	M12	64	68	47	51	17	19	5000	67
431185	LX.50-SW19-SST-M12x66	431185-S	LX.50-SW19-SST-M12x71-S	50	M12	84	88	67	71	17	19	5000	72
431186	LX.50-SW19-SST-M12x96	431186-S	LX.50-SW19-SST-M12x101-S	50	M12	114	118	97	101	17	19	5000	79
431191	LX.60-SW24-SST-M12x44	431191-S	LX.60-SW24-SST-M12x48-S	60	M12	64.5	67	45.5	48	19	24	5000	67
431192	LX.60-SW24-SST-M12x64	431192-S	LX.60-SW24-SST-M12x68-S	60	M12	84.5	87	65.5	68	19	24	5000	73
431193	LX.60-SW24-SST-M12x94	431193-S	LX.60-SW24-SST-M12x98-S	60	M12	114.5	117	95.5	98	19	24	5000	82
431194	LX.60-SW24-SST-M16x68	431194-S	LX.60-SW24-SST-M16x69-S	60	M16	87	88	68	69	19	24	7500	102
431195	LX.60-SW24-SST-M16x108	431195-S	LX.60-SW24-SST-M16x109-S	60	M16	127	128	108	109	19	24	7500	132
431196	LX.60-SW24-SST-M16x148	431196-S	LX.60-SW24-SST-M16x149-S	60	M16	167	168	148	149	19	24	7500	156

* The max static load is the value above which the load applied to the element may cause some plastic material breakage, in particular conditions of use. Obviously, a factor that takes into consideration the importance and the safety level of the specific application must be applied to this value.





LX-AS-SST

Code	Description	D	d	L	L1	l	l2	s	Max. limit static load* [N]	⚖️
531101	LX.25-SW13-AS-SST-M6x24	25	M6	35	36	24	11	13	1500	9
531103	LX.25-SW13-AS-SST-M6x34	25	M6	45	46	34	11	13	1500	11
531105	LX.25-SW13-AS-SST-M6x54	25	M6	65	66	54	11	13	1500	15
531113	LX.25-SW13-AS-SST-M8x22	25	M8	35	36	24	11	13	2500	17
531115	LX.25-SW13-AS-SST-M8x32	25	M8	43	44	32	11	13	2500	11
531117	LX.25-SW13-AS-SST-M8x52	25	M8	63	64	52	11	13	2500	13
531151	LX.30-SW17-AS-SST-M6x22	30	M6	35	36	23	12	17	1500	15
531153	LX.30-SW17-AS-SST-M6x32	30	M6	45	46	33	12	17	1500	19
531155	LX.30-SW17-AS-SST-M6x52	30	M6	65	66	53	12	17	1500	23
531159	LX.30-SW17-AS-SST-M8x21	30	M8	33	34	21	12	17	2500	15
531161	LX.30-SW17-AS-SST-M8x31	30	M8	43	44	31	12	17	2500	17
531163	LX.30-SW17-AS-SST-M8x51	30	M8	63	64	51	12	17	2500	21
531171	LX.30-SW17-AS-SST-M10x31	30	M10	43	44	31	12	17	3000	18
531175	LX.30-SW17-AS-SST-M10x51	30	M10	63	64	51	12	17	3000	19
531179	LX.30-SW17-AS-SST-M10x71	30	M10	83	84	71	12	17	3000	21
531133	LX.40-SW17-AS-SST-M8x20	40	M8	32.5	33.5	19.5	13	17	2500	25
531135	LX.40-SW17-AS-SST-M8x30	40	M8	42.5	43.5	29.5	13	17	2500	29
531137	LX.40-SW17-AS-SST-M8x50	40	M8	62.5	63.5	49.5	13	17	2500	22
531142	LX.40-SW17-AS-SST-M10x30	40	M10	42	43	28.5	13.5	17	3000	23
531144	LX.40-SW17-AS-SST-M10x50	40	M10	62	63	48.5	13.5	17	3000	25
531146	LX.40-SW17-AS-SST-M10x70	40	M10	82	83	68.5	13.5	17	3000	27
531148	LX.40-SW17-AS-SST-M12x50	40	M12	62.5	63.5	49	13.5	17	5000	35
531149	LX.40-SW17-AS-SST-M12x70	40	M12	82.5	83.5	69	13.5	17	5000	41
531150	LX.40-SW17-AS-SST-M12x100	40	M12	112.5	113.5	99	13.5	17	5000	51
531181	LX.50-SW19-AS-SST-M10x46	50	M10	64	65	47	17	19	3000	65
531182	LX.50-SW19-AS-SST-M10x66	50	M10	84	85	67	17	19	3000	69
531183	LX.50-SW19-AS-SST-M10x96	50	M10	114	115	97	17	19	3000	76
531184	LX.50-SW19-AS-SST-M12x46	50	M12	64	65	47	17	19	5000	68
531185	LX.50-SW19-AS-SST-M12x66	50	M12	84	85	67	17	19	5000	73
531186	LX.50-SW19-AS-SST-M12x96	50	M12	114	115	97	17	19	5000	80
531191	LX.60-SW24-AS-SST-M12x44	60	M12	64.5	65.5	45.5	19	24	5000	68
531192	LX.60-SW24-AS-SST-M12x64	60	M12	84.5	85.5	65.5	19	24	5000	74
531193	LX.60-SW24-AS-SST-M12x94	60	M12	114.5	115.5	95.5	19	24	5000	83
531194	LX.60-SW24-AS-SST-M16x68	60	M16	87	88	68	19	24	7500	103
531195	LX.60-SW24-AS-SST-M16x108	60	M16	127	128	108	19	24	7500	133
531196	LX.60-SW24-AS-SST-M16x148	60	M16	167	168	148	19	24	7500	157

Levelling feet and supports

* The max static load is the value above which the load applied to the element may cause some plastic material breakage, in particular conditions of use. Obviously, a factor that takes into consideration the importance and the safety level of the specific application must be applied to this value.