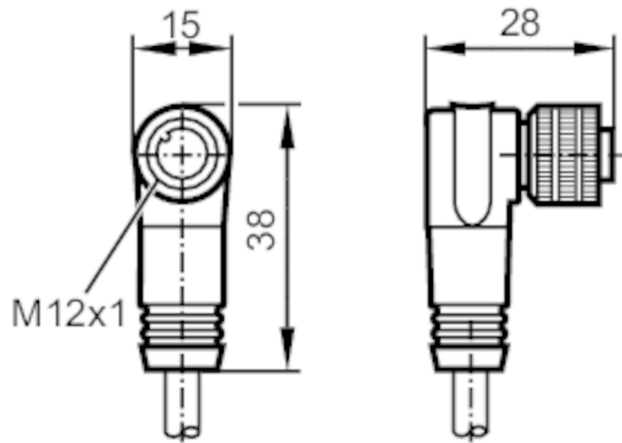


E12237



Connecting cable with socket

ADOAH080MSS0015B08



Electrical data

Operating voltage	[V]	< 30 AC / < 36 DC
Max. current load total	[A]	2

Operating conditions

Ambient temperature	[°C]	-40...80
Protection		IP 68

Mechanical data

Weight	[g]	813.5
Dimensions	[mm]	28 x 15 x 38
Materials		TPU
Material nut		brass, nickel-plated

Remarks

Notes	For 8-pole sockets the core colours are not standardised.; Please note the wiring of the sensor and the sockets (see data sheet).
Pack quantity	1 pcs.

Electrical connection

Cable: 15 m, PUR, black; 8 x 0.25 mm² (32 x Ø 0.1 mm)

Electrical connection - socket

Connector: 1 x M12, angled; Moulded body: TPU; Locking: brass, nickel-plated; Tightening torque: 1...1.5 Nm

E12237



Connecting cable with socket

ADOAH080MSS0015B08



Connection

1	WH
2	BN
3	GN
4	YE
5	GY
6	PK
7	BU
8	RD

colours to DIN

47100

BN =

BU =

GN =

GY =

PK =

RD =

WH =

YE =

Core colours :

brown

blue

green

grey

pink

red

white

yellow