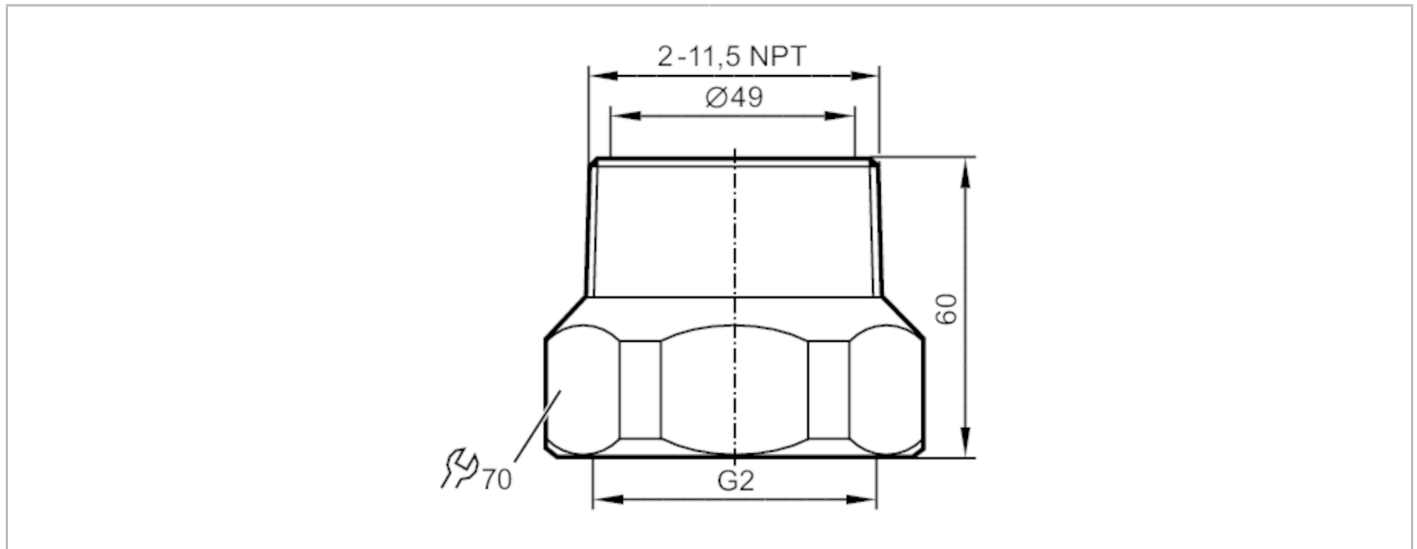


# E40228



## Mounting adapter for inline flow sensors

ADAPT /SM/1/G2 - 2 NPT



### CRN

Application	
Design	for flow sensors Typ SM2, SM9
Pressure rating [bar]	16
MAWP (for applications according to CRN) [bar]	16
Mechanical data	
Weight [g]	1439.3
Materials	Adapter: stainless steel (1.4571/316Ti ); O-ring: FKM 47,22 x 3,53 mm
Sensor connection	G 2
Process connection	2 NPT
Accessories	
Accessories (supplied)	O-rings: 2
Remarks	
Pack quantity	2 pcs.