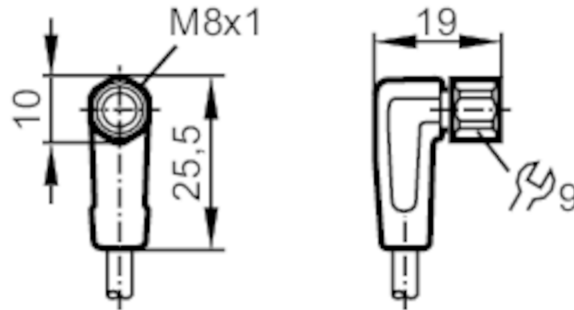


EVF127



Connecting cable with socket

ADOAF030VAS0005P03



| Application | | |
|-----------------------------------|--|--|
| Special feature | Free from silicone; Halogen-free; Gold-plated contacts; Drag chain suitability | |
| Application | hygienic and wet areas in the food industry | |
| Free from silicone | yes | |
| Electrical data | | |
| Operating voltage [V] | < 50 AC / < 60 DC | |
| Protection class | III | |
| Max. current load total [A] | 3 | |
| Operating conditions | | |
| Ambient temperature [°C] | -25...80 | |
| Ambient temperature (moving) [°C] | 5...80 | |
| Protection | IP 65; IP 67; IP 68; IP 69K | |
| Mechanical data | | |
| Weight [g] | 154 | |
| Dimensions [mm] | 19 x 10 x 25.5 | |
| Materials | housing: PP grey; Sealing: EPDM | |
| Material nut | stainless steel (1.4404 / 316L) | |
| Drag chain suitability | yes | |
| Drag chain suitability | bending radius for flexible use | min. 10 x cable diameter |
| | travel speed | max. 3.3 m/s for a horizontal travel length of 5 m and max. acceleration of 5 m/s ² |
| | bending cycles | > 1 Mio. |
| | torsional strain | ± 180 °/m |

EVF127



Connecting cable with socket

ADOAF030VAS0005P03

Remarks

Pack quantity

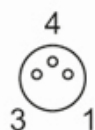
1 pcs.

Electrical connection

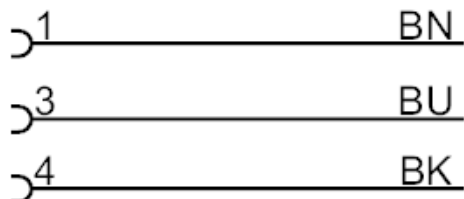
Cable: 5 m, MPPE, Halogen-free, grey, Ø 4.9 mm; 3 x 0.34 mm² (42 x Ø 0.1 mm)

Electrical connection - socket

Connector: 1 x M8, angled; Locking: stainless steel (1.4404 / 316L); Contacts: gold-plated; Tightening torque: 0.3...0.5 Nm



Connection



Core colours :

BK = black
BN = brown
BU = blue