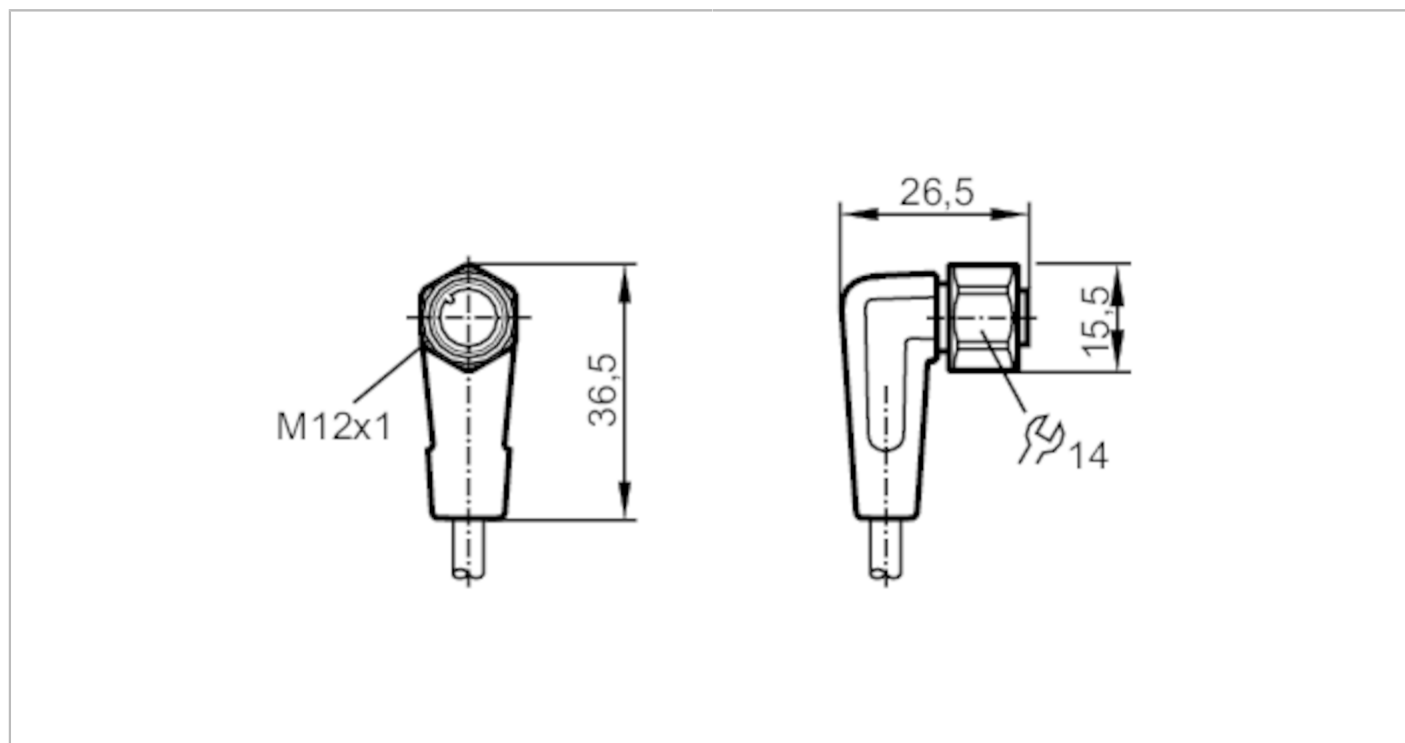




Connecting cable with socket

ADOAH040VAS0035G04



| Application | |
|--------------------------------------|--|
| Special feature | Free from silicone; Gold-plated contacts; Screened cable; Drag chain suitability |
| Application | hygienic and wet areas in the food industry |
| Free from silicone | yes |
| Electrical data | |
| Operating voltage [V] | < 50 AC / < 60 DC |
| Protection class | III |
| Max. current load total [A] | 4; (cULus: 3) |
| Operating conditions | |
| Ambient temperature [°C] | -25...100 |
| Note on ambient temperature | cULus: ...50 |
| Ambient temperature (moving) [°C] | 5...100 |
| Note on ambient temperature (moving) | cULus: ...50 |
| Protection | IP 65; IP 67; IP 68; IP 69K |

EVT442



Connecting cable with socket

ADOAH040VAS0035G04

| Mechanical data | | |
|------------------------|------------------------------------|--|
| Weight [g] | 1642.5 | |
| Dimensions [mm] | 26.5 x 15.5 x 36.5 | |
| Materials | housing: PVC orange; Sealing: EPDM | |
| Material nut | stainless steel (1.4404 / 316L) | |
| Drag chain suitability | yes | |
| Drag chain suitability | bending radius for flexible use | min. 10 x cable diameter |
| | travel speed | max. 3.3 m/s for a horizontal travel length of 5 m and max. acceleration of 5 m/s ² |
| | bending cycles | > 1 Mio. |
| | torsional strain | ± 180 °/m |
| | | |

| Remarks | |
|---------------|--------|
| Pack quantity | 1 pcs. |

Electrical connection
Cable: 35 m, PVC, orange, Ø 5.2 mm, shielded; 4 x 0.34 mm² (42 x Ø 0.1 mm)

Electrical connection - socket
Connector: 1 x M12, angled; Locking: stainless steel (1.4404 / 316L); Contacts: gold-plated; Tightening torque: 0.6...1.5 Nm;
Shielded connection cable: screen not connected

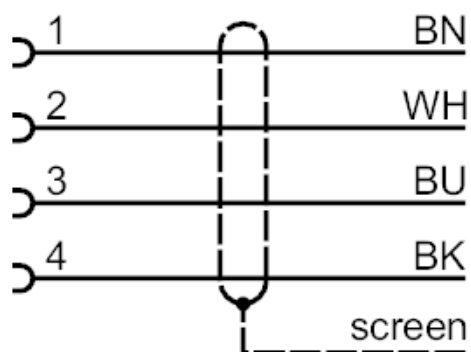




Connecting cable with socket

ADOAH040VAS0035G04

Connection



Core colours :

| | |
|------|-------|
| BK = | black |
| BN = | brown |
| BU = | blue |
| WH = | white |