

## M12 FEMALE 0° SHIELDED

PVC 5X0.34 shielded bk UL,CSA 50m

M12

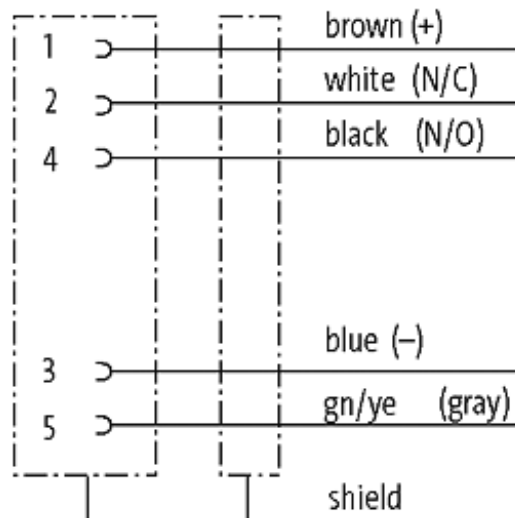
Female straight

5-pole, shielded

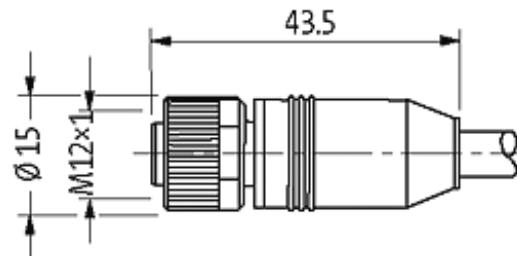
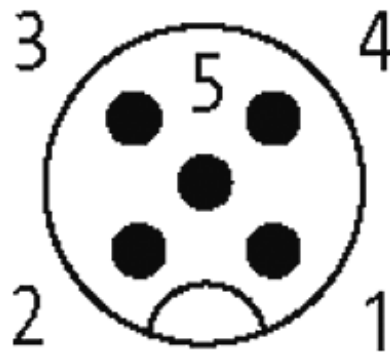
Plastic housings with good resistance against chemicals and oils. The resistance to aggressive media should be individually tested for your application. Further details on request. Further cable lengths on request.

### [Link to Product](#)

#### Illustration



# Female



Product may differ from Image