



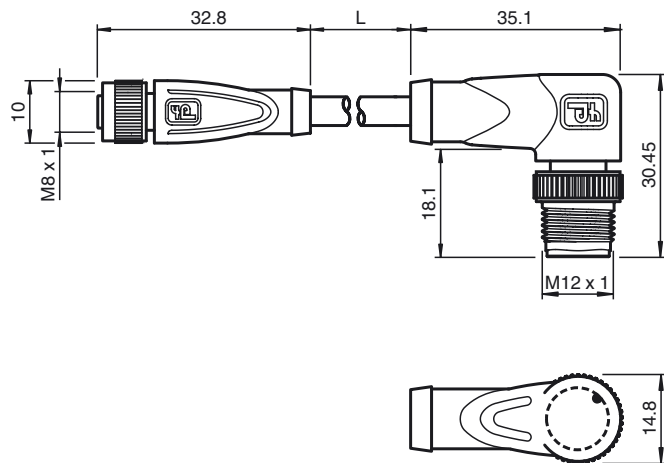
Model Number

V31-GM-5M-PVC-V11-W
 Connecting cable, M8 to M12, PVC cable 3-pin

Features

- Knurled nut suitable for tool assembly
- Immunity to vibration, with mechanical latching
- Gold plated contacts

Dimensions



Technical data

General specifications

| | |
|---------------------|----------------|
| Number of pins | 3 |
| Connection 1 | socket |
| Construction type 1 | straight |
| Threading 1 | M8 |
| Connection 2 | Male connector |
| Construction type 2 | right angle |
| Threading 2 | M12 |

Electrical specifications

| | | |
|--------------------|-------|-----------------|
| Operating voltage | U_B | max. 30 V AC/DC |
| Operating current | | max. 3 A |
| Contact resistance | | < 10 mΩ |

Ambient conditions

| | |
|---------------------|--|
| Ambient temperature | Body: -40 ... 90 °C (-40 ... 194 °F) cable, fixed: -25 ... 70 °C (-13 ... 158 °F) cable, flexing: -5 ... 70 °C (23 ... 158 °F) |
| Pollution Degree | 3 |

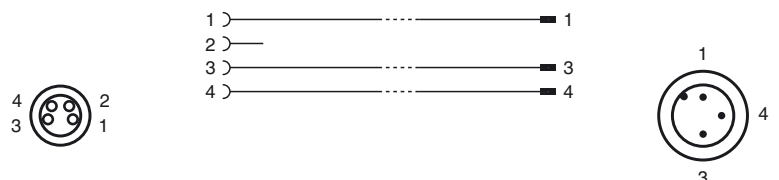
Mechanical specifications

| | |
|------------------------|--|
| Contact elements | spring-loaded contact socket |
| Pin diameter | 1 mm |
| Degree of protection | IP67 |
| Material | |
| Contacts | CuSn / Au |
| Contact surface | Au |
| Body | TPU, black |
| Cable | PVC |
| Slotted nut | Diecast zinc |
| Sleeve connector | Diecast zinc |
| Core insulation | PVC |
| Cable | fine-strand, flexible |
| Sheath diameter | Ø 4.3 mm |
| Bending radius | > 15 x cable diameter, induced > 10 x cable diameter, fixed |
| Color | grey |
| Cores | 3 x 0.25 mm ² |
| Conductor construction | 14 x 0.15 mm Ø |
| Length | L 5 m |
| Flammability | |
| Contact material | 94 HB |
| Housing | 94 V-2 |

Compliance with standards and directives

| | |
|----------------------|---------------|
| Standard conformity | |
| Degree of protection | EN 60529:2000 |

Electrical connection



Release date: 2014-03-25 14:58 Date of issue: 2014-03-25 200186_eng.xml



Flammability

Grip: UL 94

Release date: 2014-03-25 14:58 Date of issue: 2014-03-25 200186_eng.xml