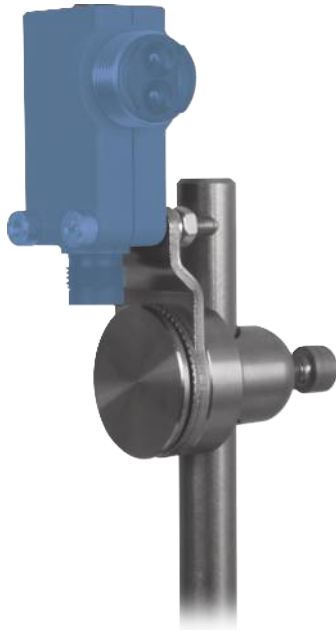


Mounting System for 56,5 × 26 × 16 mm (M)

WRS12VA

Part Number



Technical Data

Mechanical Data

Material Mounting Head	Stainless Steel V2A
Material Mounting Plate	Stainless Steel V2A
for Round Profile Diameter	8...12,5 mm
Packaging unit	1 Piece
Mounting Number	370
Suitable Mounting Technology No.	550

- Flexible alignment possibilities
- For 56,5 × 26 × 16 mm
- Simple installation
- Stainless steel

The mounting system allows to adjust sensors and reflectors and to turn them around 360 degrees in horizontal and vertical direction.

