

06023GA (旧BM6023)

Φ60X23^L

DC Blower Fan



General Specifications

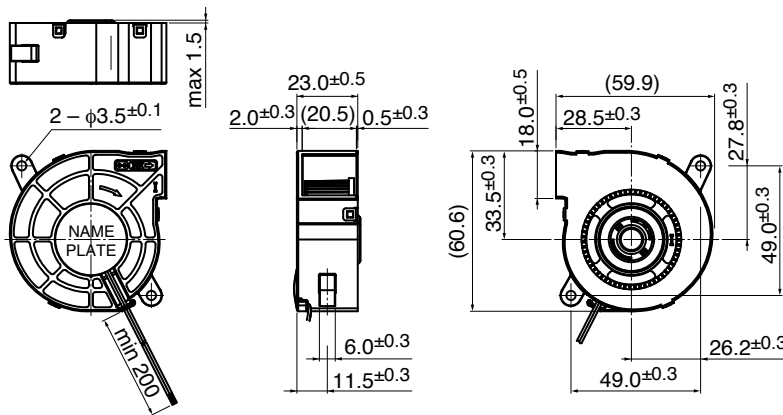
Motor Protection	Auto Restart / Polarity Protection (except Nclass)
Insulation Resistance	10MΩ or over with a DC500V Megger
Dielectric Withstand Voltage	AC700V 1s
Allowable Ambient Temperature Range	L, M Class : -10°C ~ +70°C (Operating) N Class : -10°C ~ +60°C (Operating) -40°C ~ +70°C (Storage) non-condensing environment

Expected Life

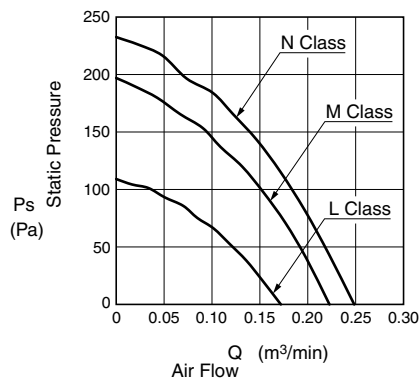
※ Failure Rate: 10% (L10 Life)

25°C 60,000 (Hours)

Outline



Characteristic Curves



Material

Casing Lower	: Plastic (Black) UL94V-0
Casing Upper	: Steel
Impeller	: Plastic (Black) UL94V-0
Bearing	: Ball Bearing
Lead Wire	: UL1061 AWG26 + : Red, - : Black

Specifications

Model	Product No.	Rating Voltage	Operating Voltage	Current	Input Power	Speed	Max. Air Flow		Max. Static Pressure		Noise	Mass
		(V)	(V)	(A)*1	(W)*1	(min ⁻¹)*1	(m³/min)*1	(CFM)*1	(Pa)	(In H ₂ O)	(dB)*1	(g)
06023GA-12L-AA-	00	12	6.0 ~ 13.8	0.11	1.32	3500	0.17	6.0	110.0	0.44	30.0	60
06023GA-12M-AA-	00			0.23	2.76	4500	0.22	7.7	200.0	0.80	37.0	
06023GA-12N-AA-	00		6.0 ~ 13.2	0.26	3.12	5000	0.24	8.4	230.0	0.92	41.0	

Rotation: Clockwise as seen from the label side

*1: Average Values in Free Air