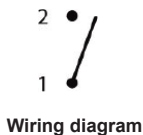


Rocker Switch

11mm x 30mm

multicomp PRO



**RoHS
Compliant**

Description

11x30mm Rocker Switches – panel mount switches suitable for a variety of applications. May be fitted with MP004425 splash proof cap to provide IP65 protection.

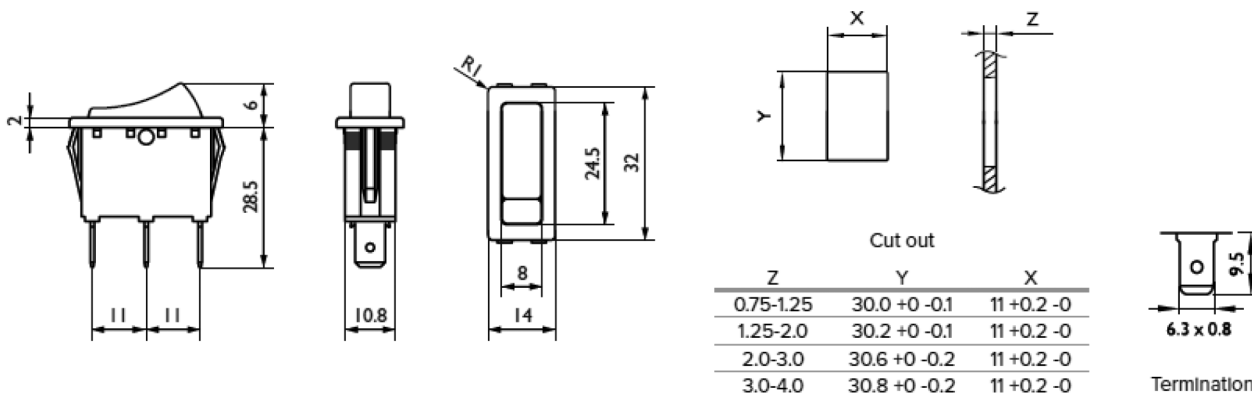
Features

- 11mm × 30mm cut-out
- SPST on-off latching
- 20 (2) A / 250V AC
- 6.3mm × 0.8mm fast-on tabs
- White switch with 01 marking
- UL, ENEC, CE approvals

Rating

- 20 (2) A / 250V AC
- 16 (8) A / 250V AC
- 10 (4) A / 400V AC
- 10 (6) A / 250V AC - 5E4
- T125/55°C
- EN 61058

Dimensions



Dimensions : Millimetres

Part Number Table

Description	Part Number
Rocker Switch, SPST, White, 0/1, 11mm x 30mm	MP008552

Important Notice : This data sheet and its contents (the "Information") belong to the members of the AVNET group of companies (the "Group") or are licensed to it. No licence is granted for the use of it other than for information purposes in connection with the products to which it relates. No licence of any intellectual property rights is granted. The Information is subject to change without notice and replaces all data sheets previously supplied. The Information supplied is believed to be accurate but the Group assumes no responsibility for its accuracy or completeness, any error in or omission from it or for any use made of it. Users of this data sheet should check for themselves the Information and the suitability of the products for their purpose and not make any assumptions based on information included or omitted. Liability for loss or damage resulting from any reliance on the Information or use of it (including liability resulting from negligence or where the Group was aware of the possibility of such loss or damage arising) is excluded. This will not operate to limit or restrict the Group's liability for death or personal injury resulting from its negligence. Multicomp Pro is the registered trademark of Premier Farnell Limited 2019.

Newark.com/multicomp-pro
Farnell.com/multicomp-pro
Element14.com/multicomp-pro

multicomp PRO