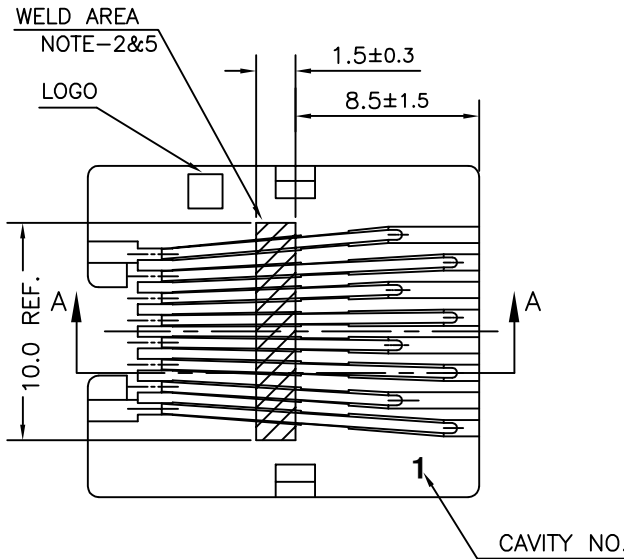


1.LF Products meet European Union Directives and other country Regulations as described in GS-22-008.

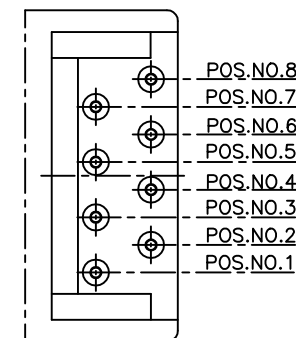
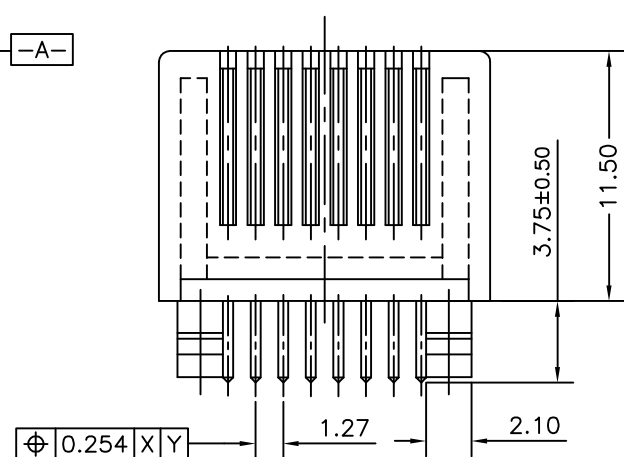
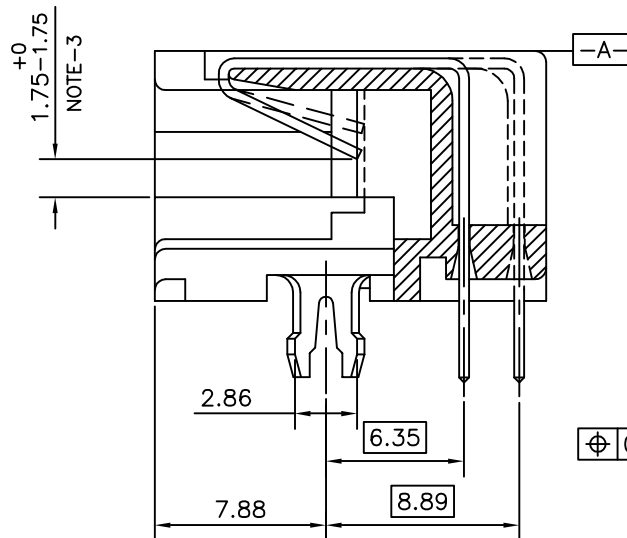
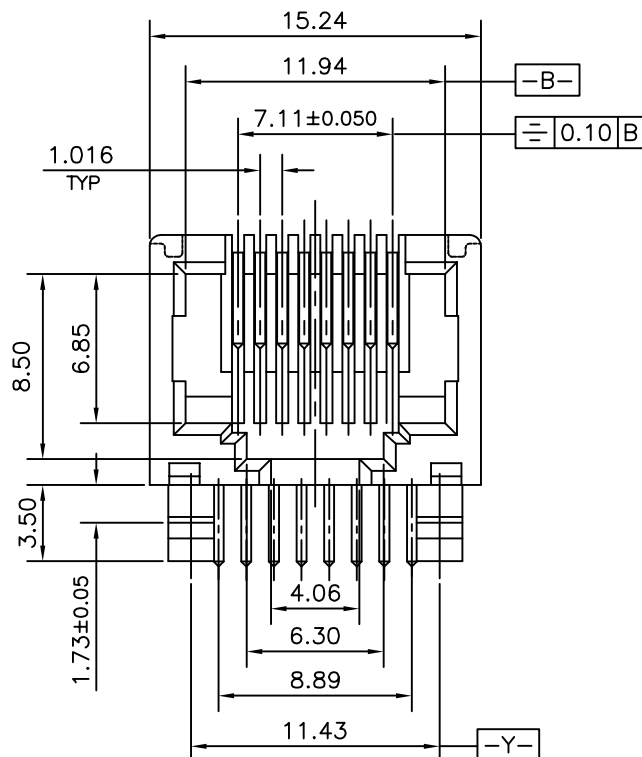
2.The Housing will withstand exposure to 260° peak temperature for 5 sec in a wave solder application with a 1.6mm Min thick circuit board. Slight deformation of snap pegs may occur at 260-265°c which will not affect the function of the product.

3.Lead Free or ROHS Directive labelling to be provided as per GS-14-920 for Lead Free version.

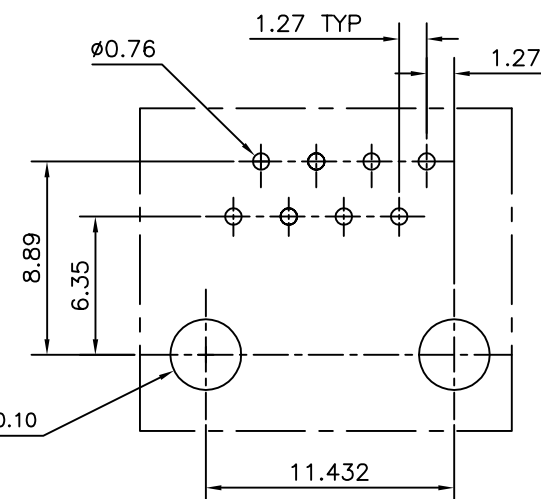


NOTES:

- CONTACT WIRE SHOULD NOT TO BE EXPOSED IN THE WELD AREA. AND WELD FLASH NOT TO EXCEED 0.30 ABOVE \overline{A} .
- ALL WIRES MUST BE CONTAINED IN THE SHELF.
- DISTANCE BETWEEN ADJACENT CONTACT WIRES ARE 0.558 MIN.



WIRE POSITION NO.



P.C.B HOLE PATTERN VIEWED FROM TOP

NOTE:
HOUSING: PA66-GF25%-UL94 V0 BLACK
CONTACT: Ø0.46 PHOSPHOR BRONZE ROUND WIRE

Technical specifications

- Insulation Resistance - 500 M Ohms min.
- Dielectric Strength - 1000 V rms , 60 Hz.
- Contact Resistance - 20 to 30 m Ohms. max.
- Current Rating - 2.0 amp DC
- Maximum Total Mating Force - 20 N
- Retention Force Between Plug & Jack - 22.5 N min.
- Durability - 250 mating cycles

MATERIAL

Housing : PA66-GF25%-UL94 V0 BLACK
Contact : Ø0.46 PHOSPHOR BRONZE ROUND WIRE

Material:

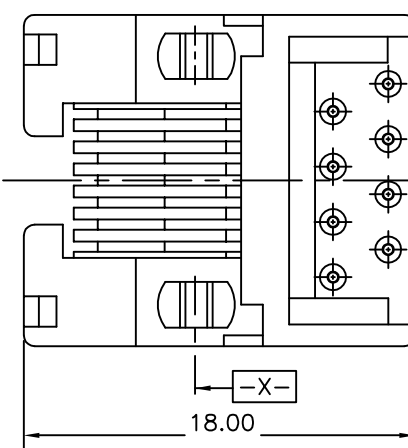
The housing will withstand exposure to 260-265°C for 5 seconds in a wavesoldering application. Use protective adhesive tape(Kapton or Teflon) or protective metallic devices on the areas which are directly exposed to wave soldering as it is used in classical leaded wave soldering.

Contact : Ø0.46mm Phosphor Bronze

Plating :

Active zone : Gold over nickel on contact area
Termination zone : SnPb over Nickel (Leaded vesion)
: Matte Tin over nickel (Lead Free version)

SECTION A-A



TELEJACK PCB SERIES 54601 X 08 WP LF
PLATING
2-0.08 µ Au SELECTIVE MIN.
6-0.8 µ Au SELECTIVE MIN.
7-Au FLASH SELECTIVE MIN.
8-1.27 µ Au SELECTIVE MIN.
9-0.38 µ Au SELECTIVE MIN.

NO.OF POS.
08-8 POL INSULATOR

Ø3.25±0.10 LEAD FREE
WP - WITHOUT PROJECTION

mat'l. code				surface		tolerance		projection		product family	
-				ISO 1302		ISO 406 ISO 1101		MM		MODJACK	
ltr				ecn no		dr		date		title	
F				I07-0118		HVN		2007-09-11		8 POL. PCB MODJACK	
sheet				revision		F				dwg no	
index				sheet		1				sheet 1 of 1	
										size	
										A3	
										type	
										Product Customer Drawing	



Copyright FCI