

## Shaft Collars, Clamp Collars Double-Split

**Material:** Steel C45, black oxide finish, or zinc-plated, Screws steel 12.9.  
 Stainless steel 1.4305 (AISI 303), Screws stainless steel A2-70.  
 Aluminium or aluminium anodized, screws stainless steel A2-70.

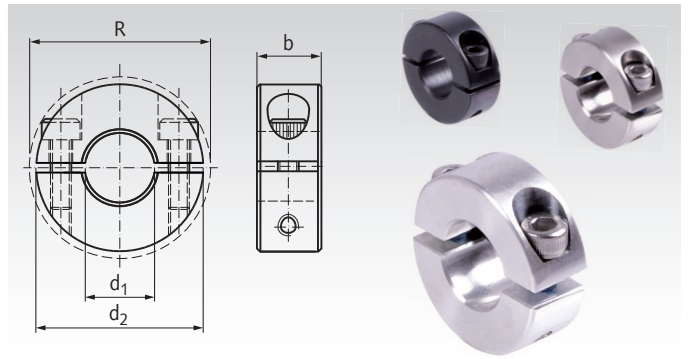


**Features:** does not damage the shaft, stronger clamping force than with set collars, even distribution of clamping forces, easy readjustment, precision honed bores. The threads of the screws DIN 912 are covered with a layer of polyamide.

Tolerance b: +0.08 mm  
 -0.25 mm

Temperature range: -40°C to +175°C.

Ordering Details: e.g.: Product No. 623 403 00, Double-split Clamp Collar, 3 mm Bore



Product No. Steel black	Product No. Steel zinc-plated	Product No. Stainless Steel	Product No. Aluminium	Product No. Alu anodized	d <sub>1</sub> mm	d <sub>2</sub> mm	R <sub>max.</sub> mm	b mm	Screws DIN912	Weight Steel g	Weight Aluminium g
623 403 00	623 884 03	623 994 03	623 664 03	623 674 03	3	16	20,7	9	M3 x 8	12	4
623 404 00	623 884 04	623 994 04	623 664 04	623 674 04	4	16	20,7	9	M3 x 8	11	4
623 405 00	623 884 05	623 994 05	623 664 05	623 674 05	5	16	20,7	9	M3 x 8	11	4
623 406 00	623 884 06	623 994 06	623 664 06	623 674 06	6	16	20,7	9	M3 x 8	10	3
623 407 00	623 884 07	623 994 07	623 664 07	623 674 07	7	18	22,4	9	M3 x 8	13	4
623 408 00	623 884 08	623 994 08	623 664 08	623 674 08	8	18	22,4	9	M3 x 8	12	4
623 409 00	623 884 09	623 994 09	623 664 09	623 674 09	9	24	26,0	9	M3 x 8	25	9
623 410 00	623 884 10	623 994 10	623 664 10	623 674 10	10	24	26,0	9	M3 x 8	24	8
623 411 00	623 884 11	623 994 11	623 664 11	623 674 11	11	28	31,8	11	M4 x 12	40	14
623 412 00	623 884 12	623 994 12	623 664 12	623 674 12	12	28	31,8	11	M4 x 12	39	13
623 413 00	623 884 13	623 994 13	623 664 13	623 674 13	13	30	33,9	11	M4 x 12	45	16
623 414 00	623 884 14	623 994 14	623 664 14	623 674 14	14	30	33,9	11	M4 x 12	43	15
623 415 00	623 884 15	623 994 15	623 664 15	623 674 15	15	34	39,4	13	M5 x 14	68	23
623 416 00	623 884 16	623 994 16	623 664 16	623 674 16	16	34	39,4	13	M5 x 14	65	22
623 417 00	623 884 17	623 994 17	623 664 17	623 674 17	17	36	41,2	13	M5 x 14	74	26
623 418 00	623 884 18	623 994 18	623 664 18	623 674 18	18	36	41,2	13	M5 x 14	71	24
623 419 00	623 884 19	623 994 19	623 664 19	623 674 19	19	40	46,4	15	M6 x 16	104	36
623 420 00	623 884 20	623 994 20	623 664 20	623 674 20	20	40	46,4	15	M6 x 16	101	35
623 421 00	623 884 21	623 994 21	623 664 21	623 674 21	21	42	48,1	15	M6 x 16	113	39
623 422 00	623 884 22	623 994 22	623 664 22	623 674 22	22	42	48,1	15	M6 x 16	107	37
623 423 00	623 884 23	623 994 23	623 664 23	623 674 23	23	45	50,8	15	M6 x 16	127	44
623 424 00	623 884 24	623 994 24	623 664 24	623 674 24	24	45	50,8	15	M6 x 16	122	42
623 425 00	623 884 25	623 994 25	623 664 25	623 674 25	25	45	50,8	15	M6 x 16	120	41
623 426 00	623 884 26	623 994 26	623 664 26	623 674 26	26	48	53,7	15	M6 x 18	139	48
623 428 00	623 884 28	623 994 28	623 664 28	623 674 28	28	48	53,7	15	M6 x 18	128	44
623 430 00	623 884 30	623 994 30	623 664 30	623 674 30	30	54	58,6	15	M6 x 18	171	59
623 432 00	623 884 32	623 994 32	623 664 32	623 674 32	32	54	58,6	15	M6 x 18	161	56
623 434 00	623 884 34	623 994 34	623 664 34	623 674 34	34	57	61,6	15	M6 x 18	181	62
623 435 00	623 884 35	623 994 35	623 664 35	623 674 35	35	57	61,6	15	M6 x 18	172	60
623 436 00	623 884 36	623 994 36	623 664 36	623 674 36	36	57	61,6	15	M6 x 18	169	59
623 438 00	623 884 38	623 994 38	623 664 38	623 674 38	38	60	65,0	15	M6 x 18	183	63
623 440 00	623 884 40	623 994 40	623 664 40	623 674 40	40	60	65,0	15	M6 x 18	172	59
623 442 00	623 884 42	623 994 42	623 664 42	623 674 42	42	73	79,4	19	M8 x 25	383	132
623 445 00	623 884 45	623 994 45	623 664 45	623 674 45	45	73	79,4	19	M8 x 25	360	124
623 448 00	623 884 48	623 994 48	623 664 48	623 674 48	48	78	84,2	19	M8 x 25	414	143
623 450 00	623 884 50	623 994 50	623 664 50	623 674 50	50	78	84,2	19	M8 x 25	386	133
623 455 00	623 884 55	623 994 55	-	-	55	82	88,8	19	M8 x 25	395	-
623 460 00	623 884 60	623 994 60	-	-	60	88	94,0	19	M8 x 25	440	-
623 465 00	623 884 65	623 994 65	-	-	65	93	99,8	19	M8 x 25	465	-
623 470 00	623 884 70	623 994 70	-	-	70	98	104,5	19	M8 x 25	495	-
623 475 00	623 884 75	623 994 75	-	-	75	103	109,1	19	M8 x 25	525	-
623 480 00	623 884 80	623 994 80	-	-	80	108	113,8	19	M8 x 25	550	-
623 490 00	623 884 90	623 994 90	-	-	90	130	138,1	32	M12 x 30	1730	-
623 500 00	623 885 00	623 995 00	-	-	100	140	147,6	32	M12 x 30	1890	-