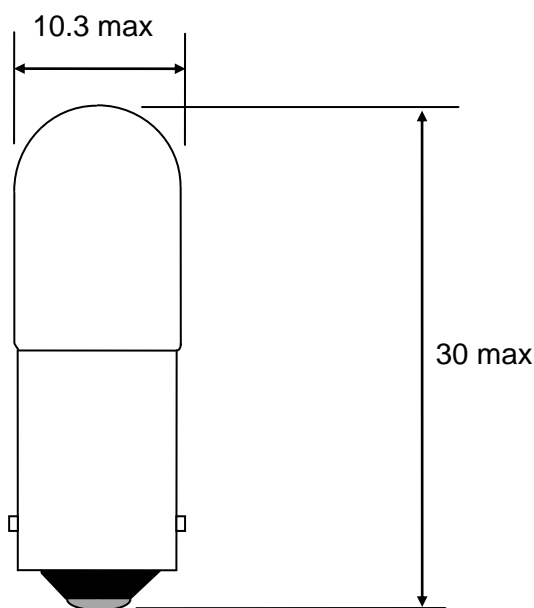


Part Number:

CM755

Type	Size	Rating	Description
Incandescent	T10	6.3V 150mA	T-3¼ Bayonet Lamp



Dimensions in millimetres

TEST VOLTS	CURRENT (mA)			LIGHT OUTPUT (Lm)			LIFE Hours
	Min.	Nom.	Max.	Min.	Nom.	Max.	
6.3	135	150	165	3.6	4.1	4.7	20,000

Notes:

- |   |                            |  |
|---|----------------------------|--|
| 1 | <b>Base Type</b>           | BA9s/13 Nickel plated brass                |
| 2 | <b>Filament Shape</b>      | C-2R<br>Filament in line with pins on base |
| 3 | <b>Bead Colour</b>         | White or clear                             |
| 4 | <b>Light centre Length</b> | 20mm nominal                               |
| 5 | <b>Lamp Marking</b>        | CML755 6.3V 150mA or CM755                 |
| 6 | <b>Environmental</b>       | RoHS & REACH SVHC compliant                |