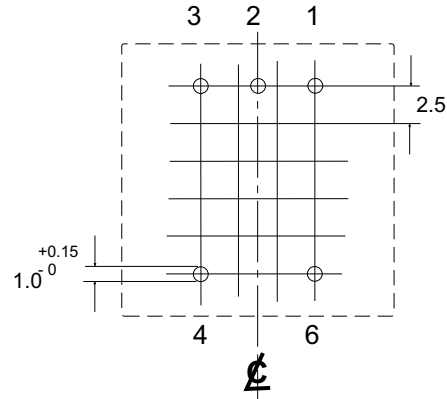
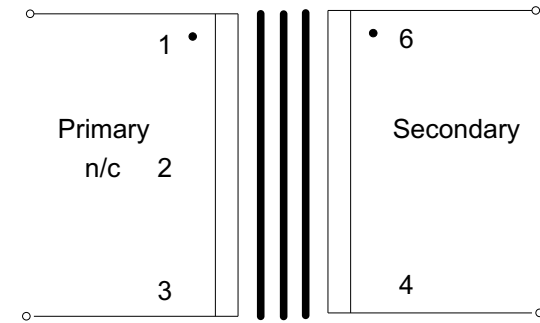


Label
Y WW = date code



Pin view

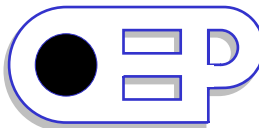
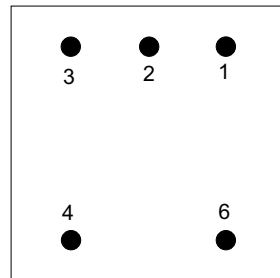
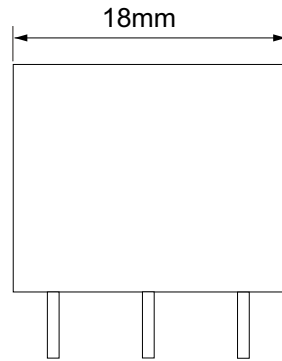
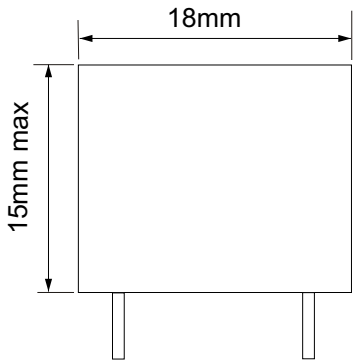
Tolerance on all hole positions +/-0.5mm
Pin diameter = 0.6mm



● = electrical start

Electrical Specification:

Primary DC resistance: 50 ohms +/-15%
 Secondary DC resistance: 72 ohms +/- 15%
 Impedance matching: 600 ohms to 600 ohms (200Hz - 4kHz)
 Inductance, measured at 0.274V, 100Hz
 Primary: >2.6H
 Secondary: >2.6H
 Insertion loss <1.5dB, 200Hz - 4kHz (600 ohms)
 Return loss: <-24dB 200Hz - 4kHz (600ohms)
 Linearity: <0.03% THD 300Hz - 4kHz @ -10dBm (600 ohms)
 Saturation: <10V rms @ 50Hz, 65V peak
 Leakage inductance: 4mH typical
 Hi-pot, primary to secondary: 3kV
 Note: Do not pass DC current through windings.
 Storage temperature range: -25°C to + 85°C
 Operating temperature range: 0°C to + 70°C



Walters Group Holdings Ltd.
 Unit 5, Oxonian Park, Langford Locks,
 Kidlington, Oxfordshire. OX5 1FP
 Tel: (01865) 855085 Fax: (01865) 855075
 Website: www.oep.co.uk

DESCRIPTION	ISSUE	DATE	DRAWN	CHECKED	DRAWING NUMBER
Specification for TF048	1	08/11/99	CS		TF048
	2	06/03/02	CS		
	3	16/11/06	CS		
	4	03/06/11	CS		

Scale: 2 to 1

All dimensions in mm unless stated otherwise