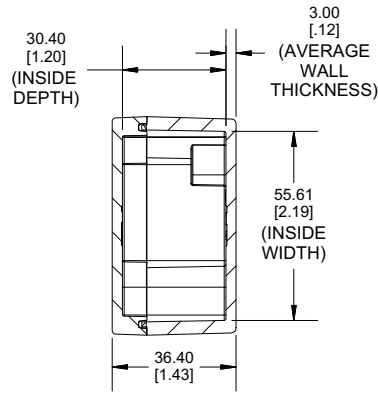
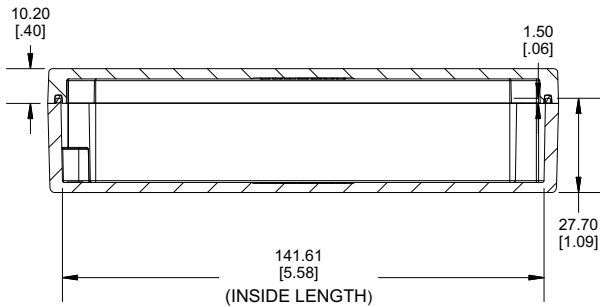
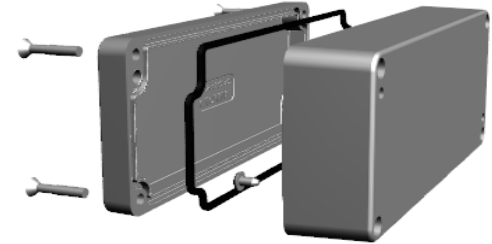


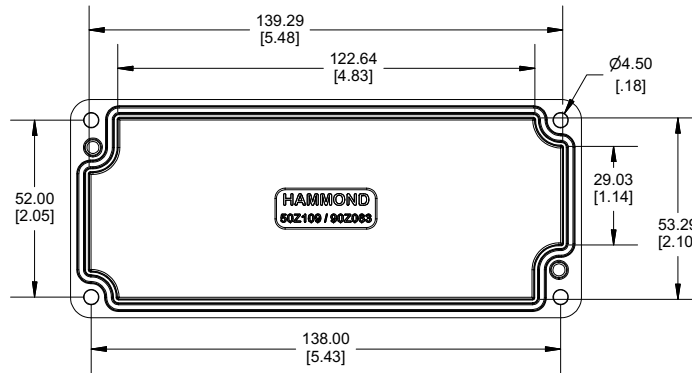
**TOP VIEW**



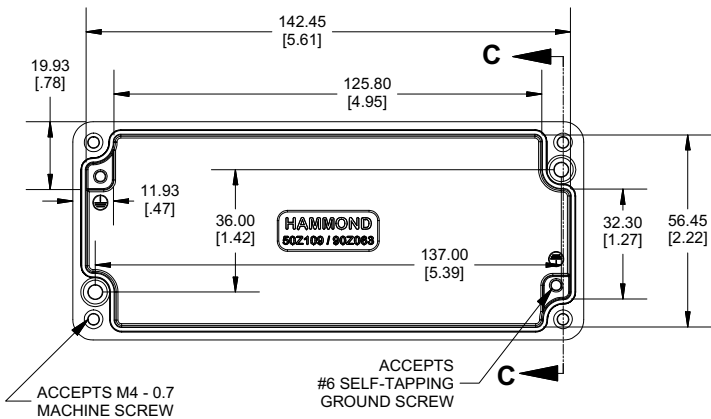
**SECTION A-A  
END VIEW**



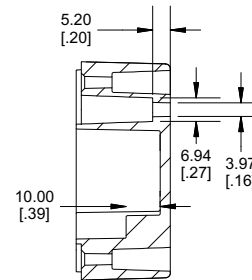
**SECTION B-B  
SIDE VIEW**



**INSIDE LID**



**INSIDE BOX**



**SECTION C-C  
MOUNTING HOLE**

**UL** US LISTED  
FILE #E65324  
NEMA 4, 4X, 6, 6P

Enclosures can be Factory Modified ( Milling, Drilling, Printing etc.)  
Contact Factory [mjm@hammondmfg.com](mailto:mjm@hammondmfg.com) for quotes  
Solid models of this enclosure available in STEP or IGES.  
(Part number and text placement/orientation on our products are subject to change, we do not recommend using them as a locating reference for modification purposes)

**NOTE**

Purchased assembly includes box, lid, silicone gasket, 4 cover screws and 4 ground screws with washers.  
Box and lid are made from Diecast Aluminum Alloy.

**Recommended cover screw Torque 5-7.5 lbf.in ( 50 -75 cN.m)**

1590Z063	
1590Z063 Enclosure	
Natural Enclosure	1590Z063
Black Enclosure	1590Z063BK
Grey Enclosure - RAL7001 Gloss	1590Z063GY
ACCESSORIES	
Pre-Formed Silicone Gasket (2 Pack)	1590Z063G
Ground Hardware (50 Pack) [Copper #6-32X5/16 Self-Tapping / Stainless Steel Cover screws (50 pkg) [M4 - 0.7 x 20mm]]	SCG060-50 SC1550Z103-50

**HAMMOND  
MANUFACTURING**

**1590Z063**

[www.hammondmfg.com](http://www.hammondmfg.com)

**Dimensions:**  
mm  
[inches]