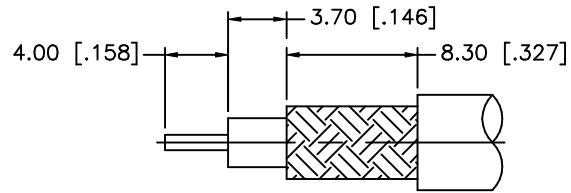
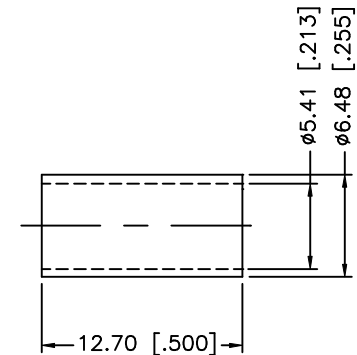
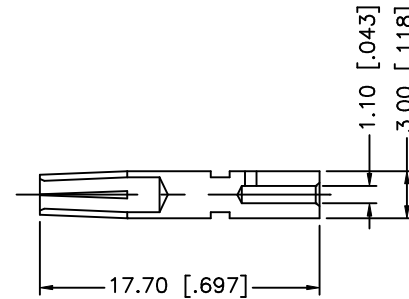
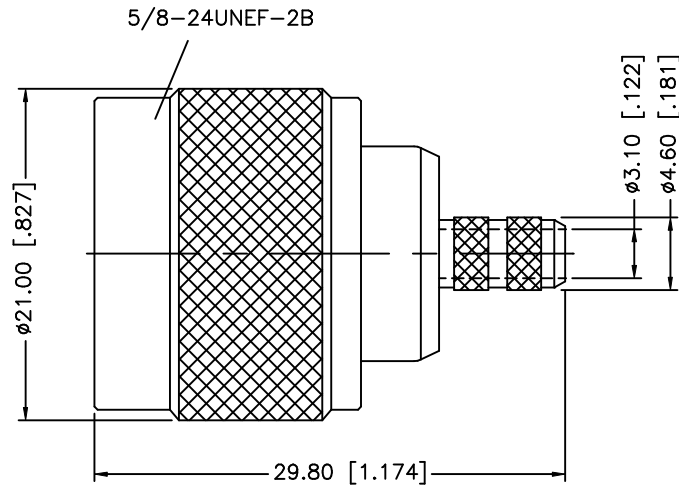


REV.	DATE	DESCRIPTION
A	07/31/98	MODIFY CONTACT PIN I.D.
B	05/09/07	UPDATE DRAWING FORMAT



RECOMMENDED
CABLE STRIPPING DIM'S



- NOTE:
 1. CRIMPED FERRULE HEX CRIMP SIZE .213"
 2. CRIMPED CONTACT PIN HEX CRIMP SIZE .100"

8				
7				
6				
5				
4	FERRULE	BRASS	NICKEL	1
3	CONTACT PIN	PHOS. BRONZE	GOLD	1
2	INSULATOR	TEFLON	NATURAL	1
1	HOUSING/BODY	BRASS	NICKEL	1
	DESCRIPTION	MATERIAL	FINISH	QTY

UNLESS OTHERWISE SPECIFIED DIMENSIONS ARE IN MILLIMETERS. DIMENSIONS IN [] ARE IN INCHES AND FOR CUSTOMER REFERENCE ONLY.

UNLESS OTHERWISE SPECIFIED TOLERANCES FOR MILLIMETERS ARE:
 0.5 - 8mm ± 0.20mm
 8 - 30mm ± 0.40mm
 30 - 120mm ± 0.50mm

UNLESS OTHERWISE SPECIFIED TOLERANCES FOR INCHES ARE:
 .020 - .315 = ± 0.007"
 .315 - 1.180 = ± 0.015"
 1.180 - 4.724 = ± 0.020"

DO NOT SCALE DRAWING

APPROVALS	DATE
DRAWN G.R.S.	05/09/07
CHECKED	
ISSUED	
SHEET 1 OF 1	
CAD FILE	C:/172/172100RP.DWG

Amphenol Connex

PART DESCRIPTION
**N CRIMP REVERSE POLARITY PLUG
(RG-58/U CABLE)**

PART NO. **172100RP**

DWG. NO. 172100RP.DWG	REV. B	SIZE A	SCALE NA
-----------------------	--------	--------	----------