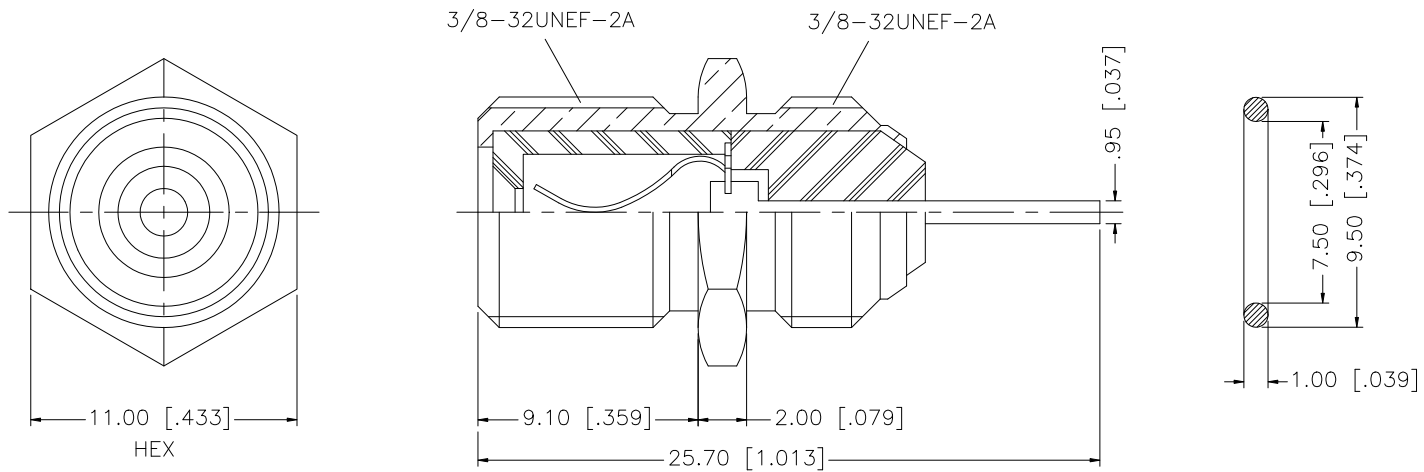
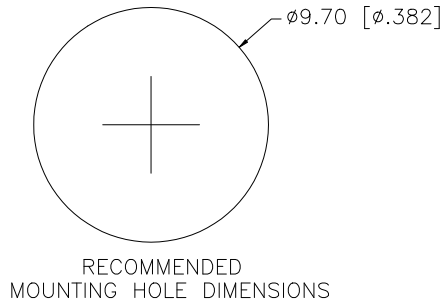


REV.	DATE	DESCRIPTION
A	01/25/99	ADD MOUNTING HOLE DIMENSION
B	06/14/07	UPDATE DRAWING FORMAT



8				<small>UNLESS OTHERWISE SPECIFIED DIMENSIONS ARE IN MILLIMETERS. DIMENSIONS IN [ ] ARE IN INCHES AND FOR CUSTOMER REFERENCE ONLY.</small>  <small>UNLESS OTHERWISE SPECIFIED TOLERANCES FOR MILLIMETERS ARE:  0.5 - 8mm ± 0.20mm  8 - 30mm ± 0.40mm  30 - 120mm ± 0.50mm</small>  <small>UNLESS OTHERWISE SPECIFIED TOLERANCES FOR INCHES ARE:  .020 - .315 = ± 0.007"  .315 - 1.180 = ± 0.015"  1.180 - 4.724 = ± 0.020"</small>	APPROVALS	DATE	<h1 style="color: blue;">Amphenol Connex</h1>	
7			DRAWN		G.R.S.	06/14/07		
6			CHECKED					
5	GASKET	N.B.R.	BLACK		1			PART DESCRIPTION
4	INSULATOR	DELTRIN	NATURAL		1			F STRAIGHT RECEPTACLE - EXTENDED CONTACT
3	CONTACT PIN	BRASS	BRIGHT TIN	1				
2	INSULATOR	P.P	NATURAL	1				
1	BODY	BRASS	NICKEL	1				
	DESCRIPTION	MATERIAL	FINISH	QTY	DO NOT SCALE DRAWING	CAD FILE C:/222/222144.DWG	PART NO. 222144	
						DWG. NO. 222144.DWG	REV. B    SIZE A    SCALE NA	