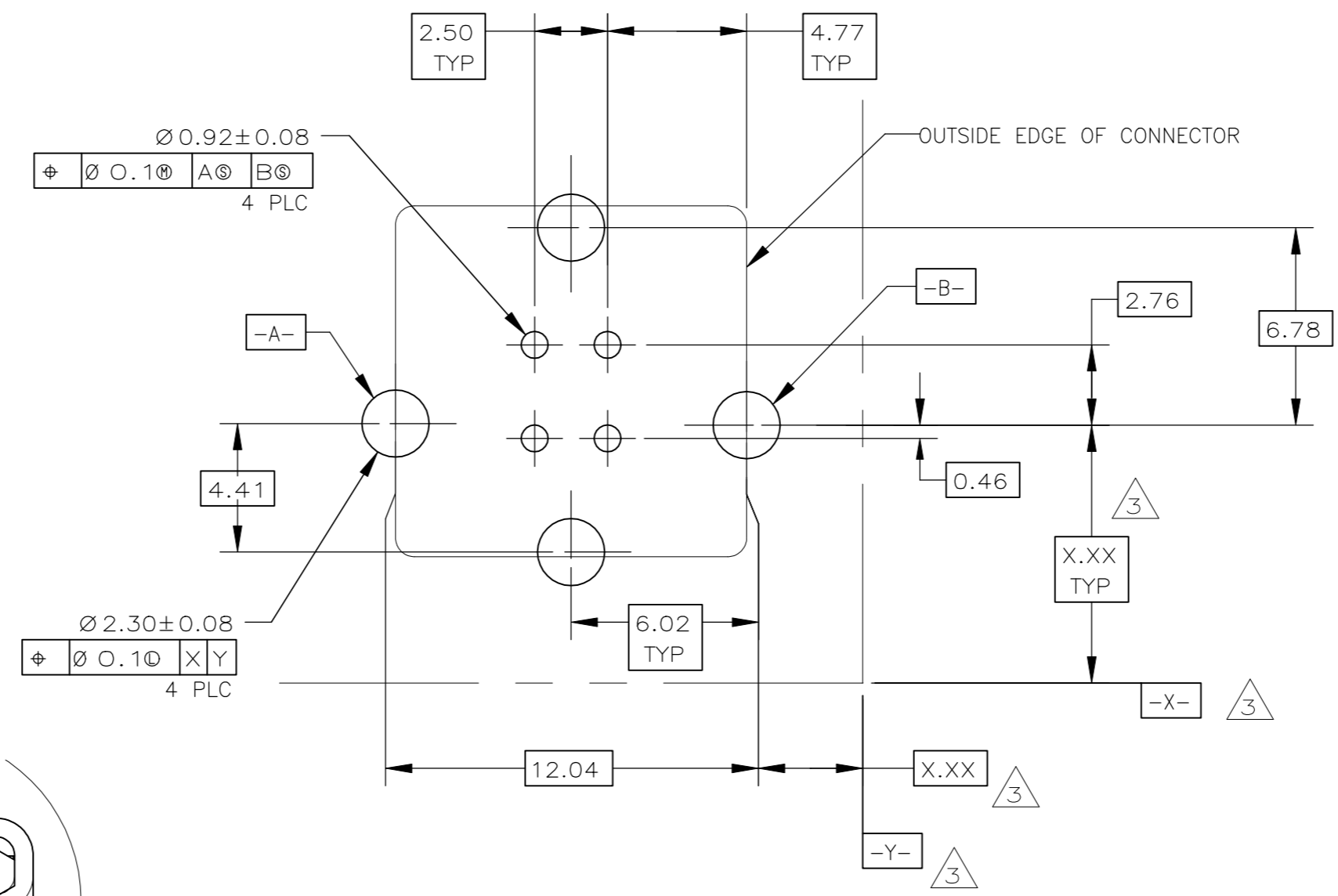
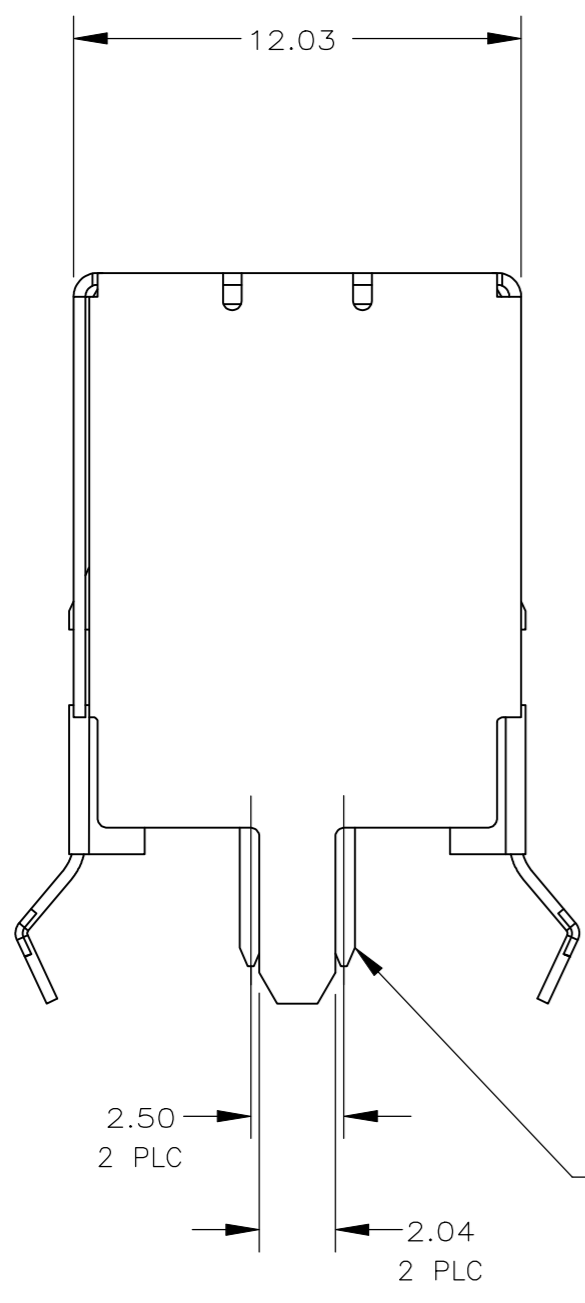
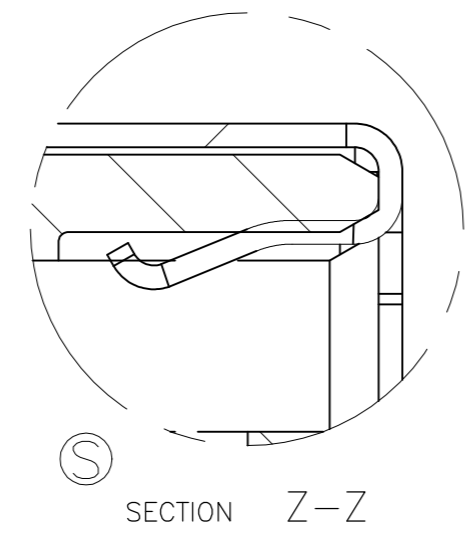
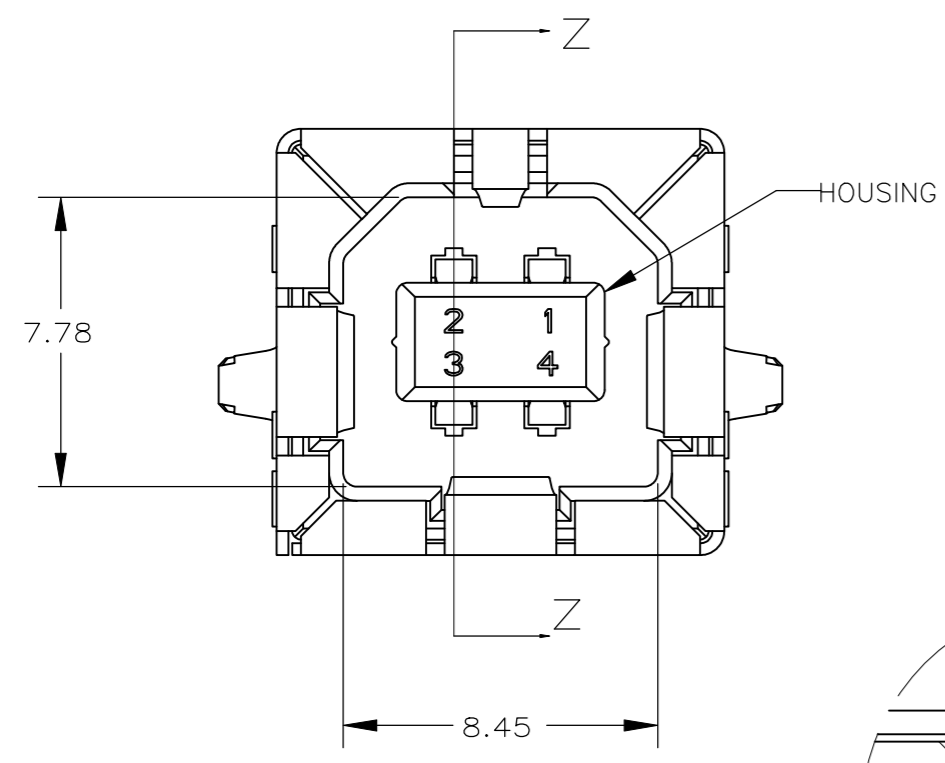


THIS DRAWING IS UNPUBLISHED. RELEASED FOR PUBLICATION
 © COPYRIGHT - 19 By - ALL RIGHTS RESERVED.

LOC		DIST		REVISIONS			
ES	00	P	LTR	DESCRIPTION	DATE	DWN	APVD
		S		REVISED PER ECR-18-008215	26MAR11	T.Z	S.L



PC BOARD MOUNTING DIMENSIONS

LEAD FREE

- 1 SHELL & CONTACTS - PHOSPHOR BRONZE.
HOUSING - POLYESTER, UL 94V-0 RATED, BLACK.
- 2 CONTACTS - 0.076µm MINIMUM GOLD OVER 0.76µm MINIMUM PALLADIUM-NICKEL ON MATING AREA, 3.8µm MINIMUM TIN ON SOLDER TAILS, BOTH OVER 1.27µm MINIMUM NICKEL.
CONTACT ALTERNATE PLATING: 0.76µm MINIMUM GOLD ON MATING AREA, 3.80µm MINIMUM TIN ON SOLDER TAILS, BOTH OVER 1.27µm MINIMUM NICKEL.
SHELL - 2~5µm TIN.
- 3 DATUM AND BASIC DIMENSIONS ESTABLISHED BY CUSTOMER.
- 4 RECOMMENDED PC BOARD THICKNESS OF 1.57.
- 5 CONTACTS - 0.38µm MINIMUM GOLD ON MATING AREA, 3.8µm MINIMUM TIN ON SOLDER TAILS, BOTH OVER 1.27µm MINIMUM NICKEL.
SHELL - 2~5µm TIN.

5	5788336-2
2	5788336-1
FINISH	PART NO.

THIS DRAWING IS A CONTROLLED DOCUMENT.

DIMENSIONS:	TOLERANCES UNLESS OTHERWISE SPECIFIED:	DWN	LEO ZHOU	05NOV04
mm		CHK	STEVEN YAO	05NOV04
		APVD	IENOMOTO	05NOV04
		PRODUCT SPEC		
		APPLICATION SPEC		
MATERIAL	FINISH	WEIGHT		
1	-	-		

STE TE Connectivity

RECEPTACLE ASSY, 4 POSN, VERTICAL, THRU-HOLE, TYPE B, UNIVERSAL SERIAL BUS

SIZE	A2	CAGE CODE	00779	DRAWING NO	C-5788336	RESTRICTED TO	-
CUSTOMER DRAWING	SCALE	5:1	SHEET	1 of 1	REV	S	