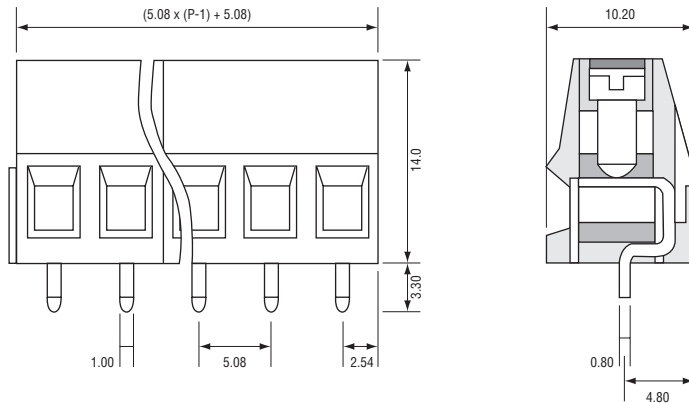


12A Terminal Blocks 5.08mm

Order code: **21-4005** 2-way

Order code: **21-4006** 3-way



Specifications:

- Pitch: 5.08
- Rated voltage: 250V
- Rated current: 12A
- Wire range: 12-24AWG
- Torque: 3.5 lbf-in
- PCB hole dia.: $\varnothing 1.5-1.7$ mm
- Screw: M2.5

