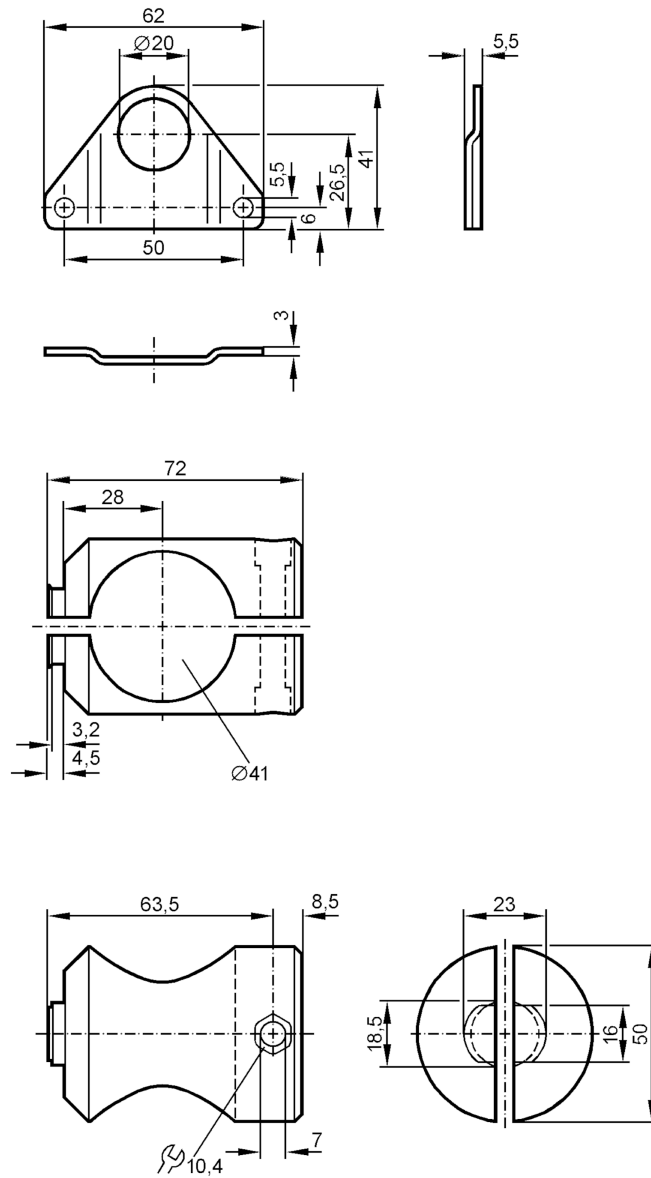


# E21012



## Mounting set for photoelectric sensors

MOUNTING SET FOR OL ROD



Application	
Design	clamp mounting
Mechanical data	
Weight [g]	257
Type of mounting	Mounting rod; (Ø 40 mm)
Materials	fixture: stainless steel (1.4571/316Ti ); Clamp: aluminium uncoloured anodised
Remarks	
Pack quantity	1 pcs.