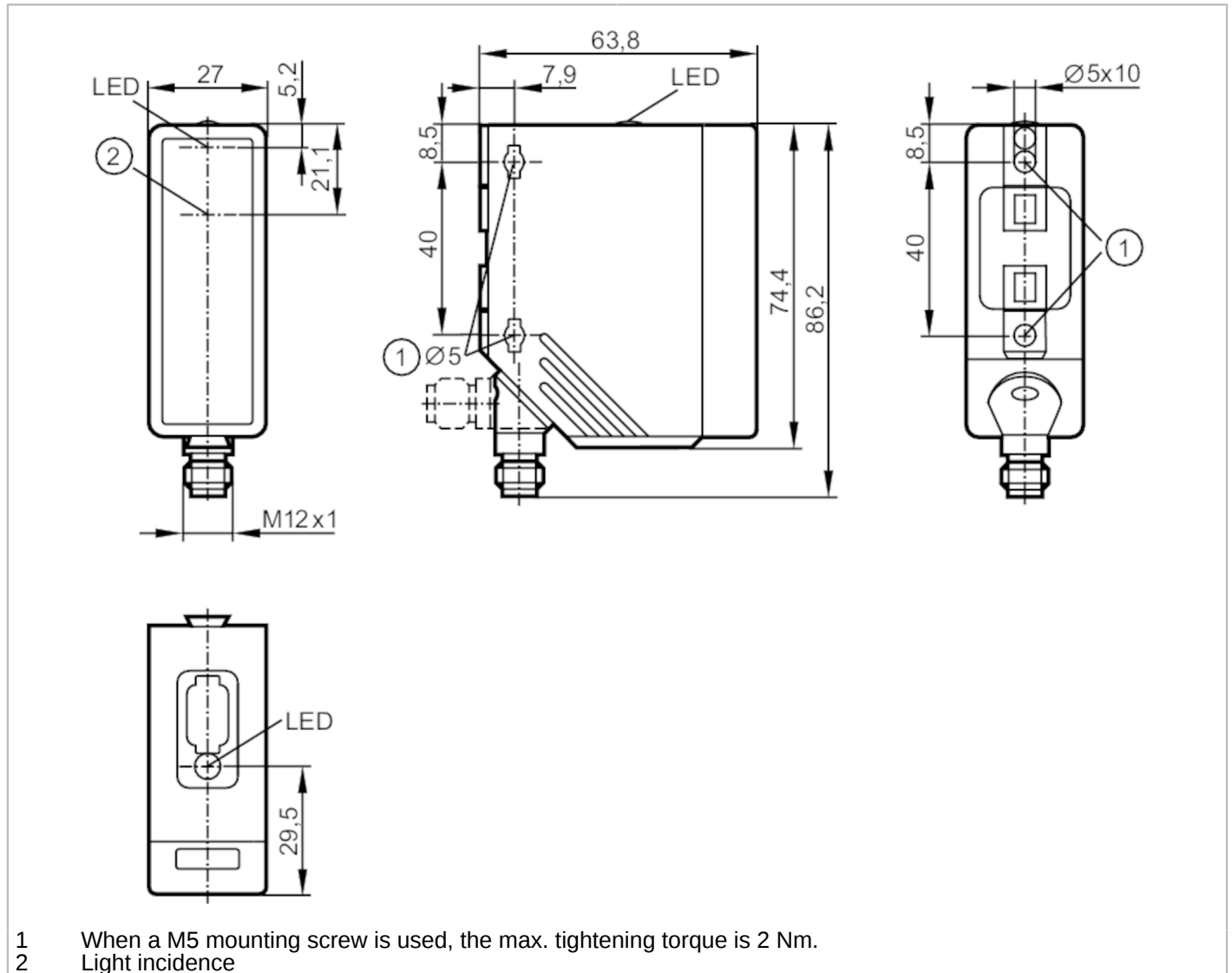


O4E200



Through-beam sensor receiver

O4E-DPKG/US100



Product characteristics	
Type of light	red light
Housing	rectangular
Dimensions [mm]	74.4 x 27 x 63.8
Application	
Function principle	Through-beam sensor
Electrical data	
Operating voltage [V]	10...36 DC; ("supply class 2" to cULus)
Current consumption [mA]	12
Protection class	II
Reverse polarity protection	yes
Type of light	red light
Wave length [nm]	624

O4E200



Through-beam sensor receiver

O4E-DPKG/US100

Outputs	
Electrical design	PNP
Output function	dark-on mode
Max. voltage drop switching output DC [V]	2.5
Permanent current rating of switching output DC [mA]	200
Switching frequency DC [Hz]	1000
Short-circuit protection	yes
Type of short-circuit protection	pulsed
Overload protection	yes

Detection zone	
Transmitter / receiver	receiver
Range [m]	0...50
Range adjustable	no

Operating conditions	
Ambient temperature [°C]	-25...60
Protection	IP 67

Tests / approvals	
EMC	EN 60947-5-2
MTTF [years]	1097

Mechanical data	
Weight [g]	118
Housing	rectangular
Dimensions [mm]	74.4 x 27 x 63.8
Materials	housing: PA; bezel: stainless steel; LED window: PC
Lens material	PMMA
Lens alignment	side lens

Displays / operating elements		
Display	switching status	2 x LED, yellow

Remarks	
Pack quantity	1 pcs.

Electrical connection

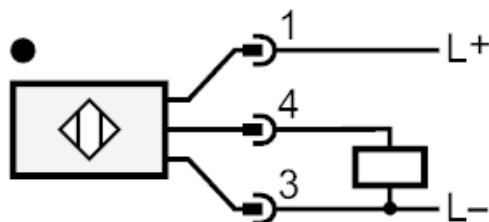
Connector: 1 x M12



Through-beam sensor receiver

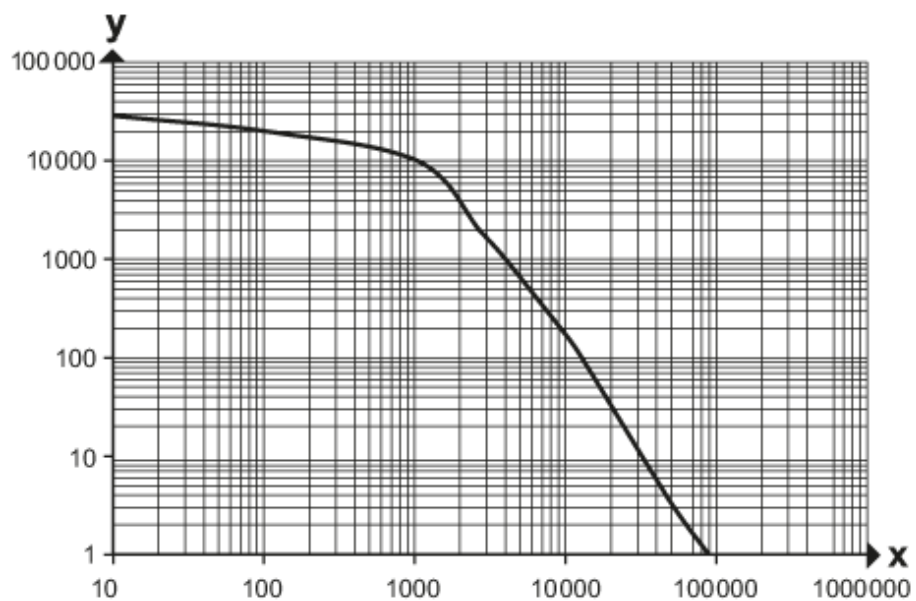
O4E-DPKG/US100

Connection



Diagrams and graphs

excess gain graph



x: Abstand [mm]

y: Funktionsreservfaktor