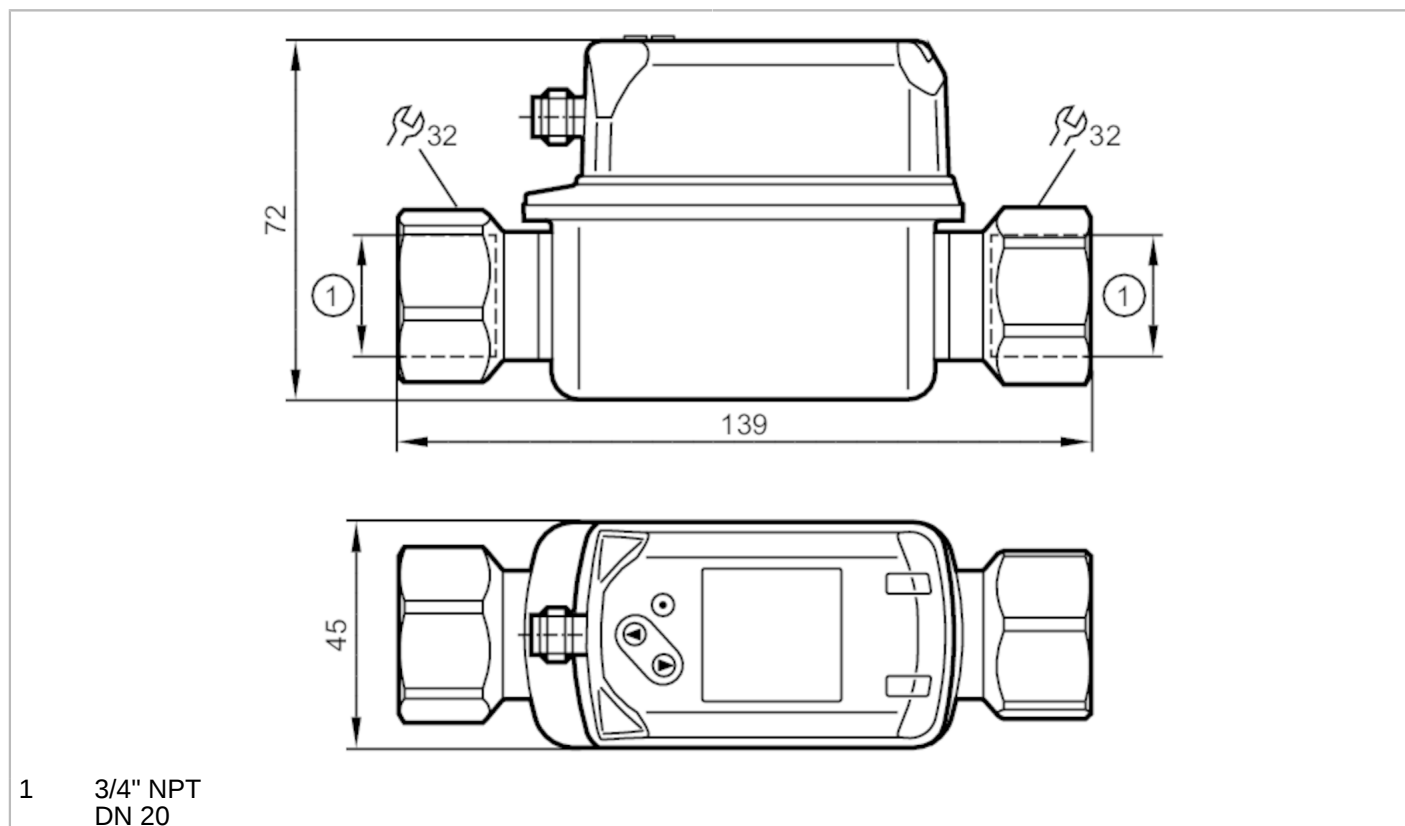


# SV7614



## Vortex flow meter with display

SVN34XXX50KG/US-100



1 3/4" NPT  
DN 20



### Product characteristics

Number of inputs and outputs	Number of analogue outputs: 2	
Measuring range	80...1585 gph	1.3...26.4 gpm
Process connection	threaded connection 3/4 NPT DN20	

### Application

Special feature	Gold-plated contacts	
Application	for industrial applications	
Media	water	
Medium temperature [°F]	14...194	
Pressure rating [bar]	12	
Pressure rating [psi]	174	
Note on pressure rating	up to 40 °C	
MAWP (for applications according to CRN) [bar]	4.3	

### Electrical data

Operating voltage [V]	18...30 DC	
Current consumption [mA]	< 30	
Min. insulation resistance [MΩ]	100; (500 V DC)	
Protection class	III	
Reverse polarity protection	yes	
Power-on delay time [s]	< 3	

# SV7614



## Vortex flow meter with display

SVN34XXX50KG/US-100

Inputs / outputs		
Number of inputs and outputs	Number of analogue outputs: 2	
Outputs		
Total number of outputs	2	
Output signal	analogue signal	
Number of analogue outputs	2	
Analogue current output [mA]	4...20	
Max. load [ $\Omega$ ]	500	
Short-circuit protection	yes	
Overload protection	yes	
Measuring/setting range		
Measuring range	80...1585 gph	1.3...26.4 gpm
Display range	0...1900 gph	0...31.7 gpm
Resolution	5 gph	0.1 gpm
Analogue start point ASP	0...1270 gph	0...21.1 gpm
Analogue end point AEP	315...1585 gph	5.3...26.4 gpm
In steps of	5 gph	0.1 gpm
Measuring dynamics	1:20	
Temperature monitoring		
Measuring range [ $^{\circ}$ F]	14...194	
Display range [ $^{\circ}$ F]	-22...230	
Resolution [ $^{\circ}$ F]	1	
Analogue start point	14...158	
Analogue end point	50...194	
In steps of [ $^{\circ}$ F]	1	
Accuracy / deviations		
Flow monitoring		
Accuracy (in the measuring range)	$\pm 2$ % MEW	
Repeatability	$\pm 0,5$ % MEW	
Temperature monitoring		
Accuracy [K]	$\pm 1$	
Response times		
Flow monitoring		
Response time [s]	1; (dAP = 0)	
Damping for the switching output dAP [s]	0...5	
Temperature monitoring		
Dynamic response T05 / T09 [s]	T09 = 6	
Software / programming		
Parameter setting options	Damping for the analogue output dAA; Display unit	

# SV7614



## Vortex flow meter with display

SVN34XXX50KG/US-100

Operating conditions	
Ambient temperature [°F]	32...140
Note on ambient temperature	medium temperature < 176 °F medium temperature < 194 °F: 32...122 °F
Storage temperature [°F]	-4...176
Protection	IP 65; IP 67

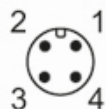
Tests / approvals	
EMC	DIN EN 61000-6-2
	DIN EN 61000-6-3
Shock resistance	DIN EN 60068-2-27 5 g (11 ms)
Vibration resistance	DIN EN 60068-2-6 with water / 10...50 Hz 1 mm
	with water / 50...2000 Hz 2 g
MTTF [years]	342
UL approval	UL Approval no. I002
Pressure Equipment Directive	Sound engineering practice; can be used for group 2 fluids; group 1 fluids on request

Mechanical data	
Weight [g]	514.5
Materials	stainless steel (1.4404 / 316L); PC; PBT+PC-GF30; PPS; TPE-U
Materials (wetted parts)	stainless steel (1.4404 / 316L); ETFE; PA 6T; PPS; FKM
Tightening torque [Nm]	30
Process connection	threaded connection 3/4 NPT DN20

Remarks	
Remarks	MW = measured value MEW = Final value of the measuring range
Pack quantity	1 pcs.

### Electrical connection

Connector: 1 x M12; Contacts: gold-plated



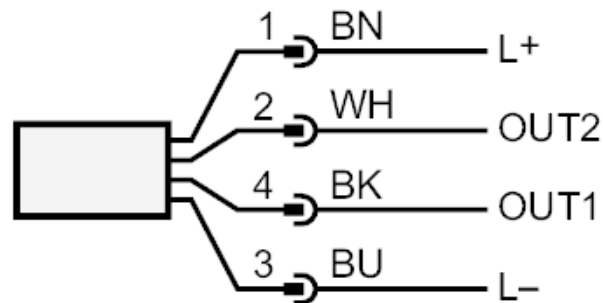
# SV7614



## Vortex flow meter with display

SVN34XXX50KG/US-100

### Connection



OUT1: analogue output Temperature monitoring

OUT2: analogue output volumetric flow quantity monitoring

colours to DIN EN 60947-5-2

Core colours :

BK = black

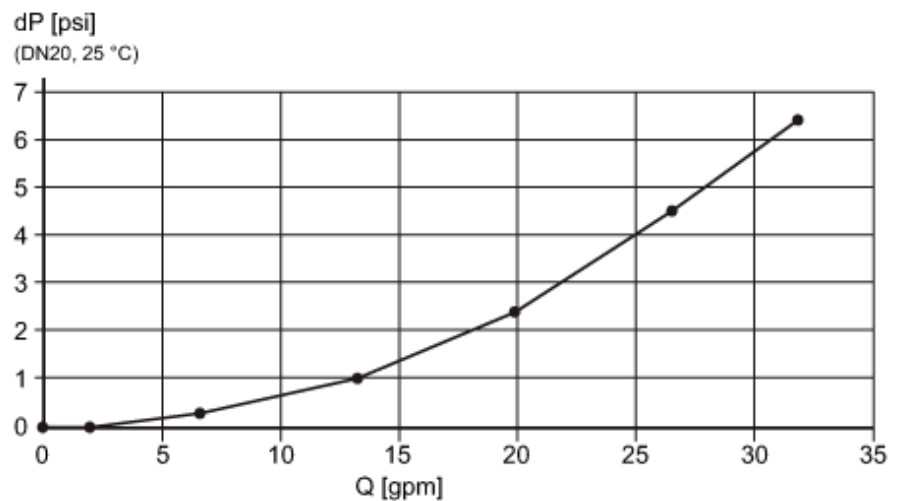
BN = brown

BU = blue

WH = white

### Diagrams and graphs

Pressure loss



dP Pressure loss

Q volumetric flow quantity

# SV7614



## Vortex flow meter with display

SVN34XXX50KG/US-100

pressure rating (bar)

