

## CUBE67 I/O EXTENSION MODULE

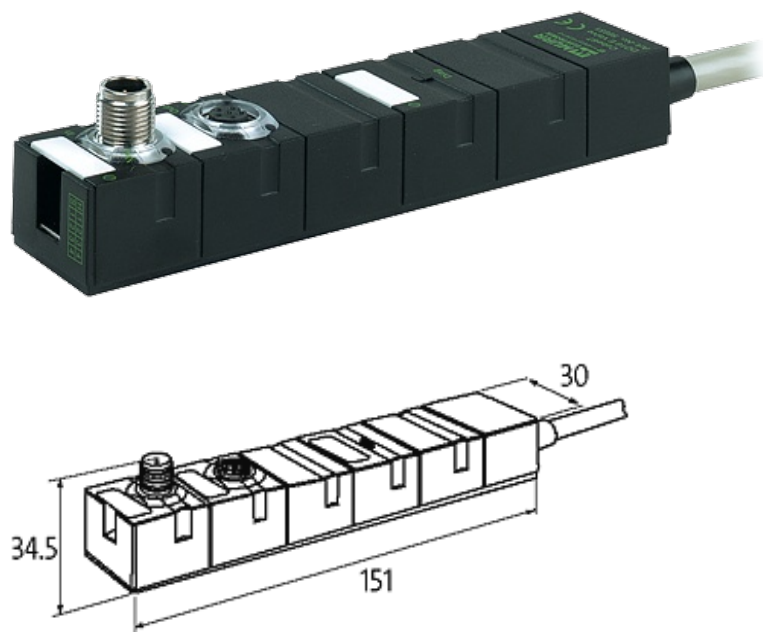
32digital output, pig-tail

Expansion module  
DO32 - Valve (E) 0.5 m  
with open ended wires (0.5 A)

Housing fully potted. For connection cables please see chapter "Connection Technology"

### [Link to Product](#)

#### Illustration



Product may differ from Image

#### Approvals



#### Internal communication

LED display	US: sensor supply and internal supply voltage (green: OK); UA: actuator supply (green: OK)
Current consumption	max. 50 mA

#### Connections

Fieldbus	via internal system connection
Sensor-system/actuator supply	via internal system connection (max. 2×4 A)
I/O ports	Open cable (0.5 m) 0.5 A

**Cables**

No./diameter of wires	36 × 0.14 mm <sup>2</sup>
-----------------------	---------------------------

Material (jacket)	PVC
-------------------	-----

**General data**

Protection	IP67
------------	------

Mounting method	2-hole screw mounting
-----------------	-----------------------

Temperature range	0...+55 °C (storage temperature -20...+75 °C)
-------------------	---

Dimensions H × W × D	150×30×34.5 mm
----------------------	----------------

**Output**

Actuator supply UA	24 V DC (EN 61131-2), via system connection (max. 4 A)
--------------------	--

Switching current per output	short-circuit and overload protected
------------------------------	--------------------------------------

**Diagnostic**

Communication status	via LED
----------------------	---------

Diagnostic via LED	per module
--------------------	------------

Diagnostic via BUS	per module and channel
--------------------	------------------------

Monitoring - under voltage	yes
----------------------------	-----

Monitoring - no voltage	yes
-------------------------	-----

Short circuit and overload	yes
----------------------------	-----

Actuator warning	per channel via BUS
------------------	---------------------

**Commercial data**

country of origin	DE
-------------------	----

customs tariff number	85176200
-----------------------	----------

minimum order quantity	1
------------------------	---