



Model Number

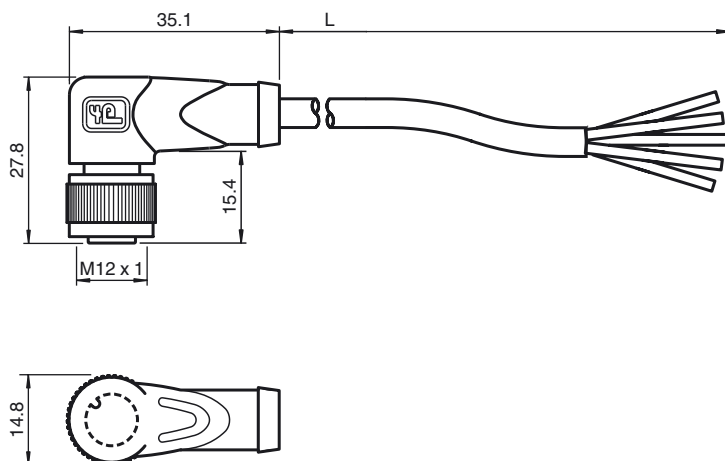
V15-W-10M-PUR

Female cordset, M12, 5-pin, PUR cable

Features

- Knurled nut suitable for tool assembly
- Immunity to vibration, with mechanical latching
- Gold plated contacts
- Degree of protection IP67 / IP68 / IP69K
- Halogen-free
- Suitable for 2-, 3- and 4-wire technology

Dimensions



Technical data

General specifications

Number of pins 5

Electrical specifications

Operating voltage U_B max. 60 V DC
 Test voltage $> 1500 V_{eff AC}$
 Operating current I_B max. 4 A
 Volume resistance $< 5 m\Omega$

Ambient conditions

Ambient temperature $-25 \dots 100 \text{ }^\circ\text{C}$ ($-13 \dots 212 \text{ }^\circ\text{F}$)
 for temperatures over $80 \text{ }^\circ\text{C}$ ($176 \text{ }^\circ\text{F}$) reduced elongation at tear
 Pollution Degree 3

Mechanical specifications

Contact elements spring-loaded contact socket
 Pin diameter 1 mm
 Degree of protection IP68 according to EN 60529 (in screwed state)
 Material
 Contacts CuSn / Au
 Contact surface Au
 Body TPU, black
 Cable PUR
 Slotted nut Diecast zinc
 Core insulation PP
 Cable fine-strand, flexible
 Sheath diameter $\text{\O}4.8 \text{ mm}$
 Bending radius $> 10 \times$ cable diameter, moving
 Color grey
 Cores $5 \times 0.34 \text{ mm}^2$
 Conductor construction $19 \times 0.15 \text{ mm } \text{\O}$
 Length L 10 m
 Flammability
 Contact material 94 V-2
 Housing 94 V-2

Compliance with standards and directives

Standard conformity
 Degree of protection EN 60529:2000
 Standards IEC 61076-2-101:2008

Electrical connection

