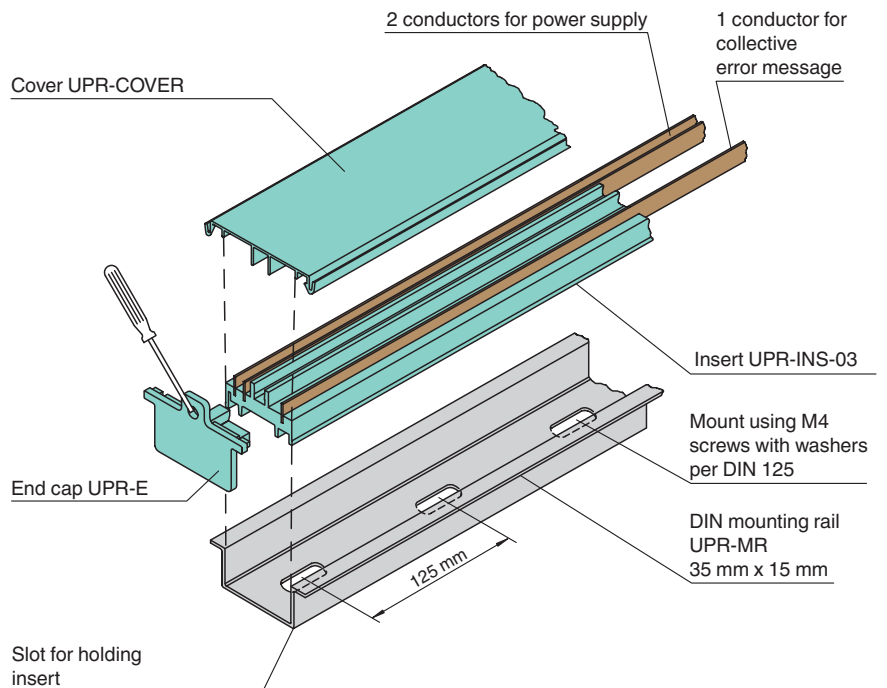


Universal Power Rail with end caps and cover, 3 conductors

**Features**

- 35 mm DIN mounting rail with 3-conductor insert
- Provides DC supply voltage to all equipped K-System modules
- Standard length 2 m (6 ft), simple to customize to application space
- Eliminates daisy-chains

**Dimensions**



**Technical data**

**Electrical specifications**

Rated voltage	$U_n$	24 V DC
Rated current	$I_n$	4 A

**Ambient conditions**

Ambient temperature	-20 ... 60 °C (-4 ... 140 °F)
---------------------	-------------------------------

**Mechanical specifications**

Dimensions	35 x 15 x 2000 mm (1.4 x 0.6 x 78.7 in)
------------	---

**Accessories**

Designation	- end cap UPR-E - insulation spacer UPR-I - DIN mounting rail UPR-MR - insert UPR-INS-03 - cover UPR-COVER
-------------	--

**Function**

The Power Rail consists of a DIN mounting rail UPR-MR and a insert UPR-INS-03. The component has two conductors for power and one conductor for collective error messaging.

The component reduces wiring and maintenance costs because it eliminates the need to daisy-chain the wires. It also simplifies expansion – just snap in a new isolator when you're ready to expand a system.

The component comes in 2 m segments but can be cut to any size.

The Power Rail is delivered with two UPR-E end caps and UPR-COVER cover. All components of the Power Rail can be ordered separately.

In conjunction with K-System modules the component can be mounted in Zone 2.



*Cover empty, open segments of the Power Rail. Use the supplied cover. Thereby Power Rail will be protected from pollution. The contact with electrically conductive parts on Power Rail will be prevented.*