



TWIST LEVER FOR POSITION SWITCH 3SE52
 STAINLESS STEEL LEVER 21MM LONG PLASTIC
 ROLLER 19MM FUNCTIONAL AT -40 DEGREES

Figure similar

Product designation	actuator for part-turn actuator	
General technical data:		
Product function		
• positive opening		Yes
Shock resistance		30g / 11 ms
Vibration resistance		0.35 mm / 5g
Mechanical service life (switching cycles)		
• typical		15 000 000
Equipment marking		
• acc. to DIN EN 61346-2		T
• acc. to DIN EN 81346-2		T
Active principle		mechanical
Explosion protection category for dust		none
Explosion protection category for gas		none
Enclosure:		
Coating of the enclosure		Other types
Drive Head:		
Design of the operating mechanism		stainless steel lever, 21 mm long, straight, plastic roller 19 mm
Standard-compliant actuator head		EN 50047, design A
Shape of the switch head		roller
Outer diameter of the switch head	mm	19
Communication/ Protocol:		
Design of the interface		without

Ambient conditions:





Ambient temperature

- | | | |
|--------------------|----|-------------|
| • during operation | °C | -40 ... +85 |
| • during storage | °C | -40 ... +90 |

Installation/ mounting/ dimensions:

mounting position		any
Mounting type		screw fixing

Certificates/ approvals:

General Product Approval	Declaration of Conformity	Test Certificates	other		
 CSA	 UL		 EG-Konf.	Special Test Certificate	Confirmation

other

[Vibration Test Certificates](#)

Further information

Information- and Downloadcenter (Catalogs, Brochures,...)

<http://www.siemens.com/industrial-controls/catalogs>

Industry Mall (Online ordering system)

<http://www.siemens.com/industrymall>

Cax online generator

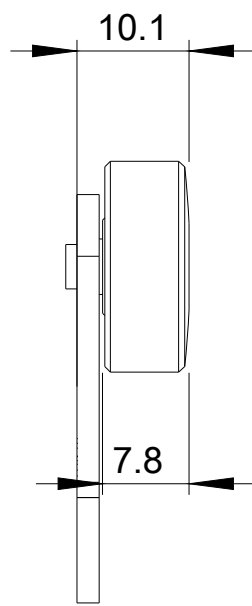
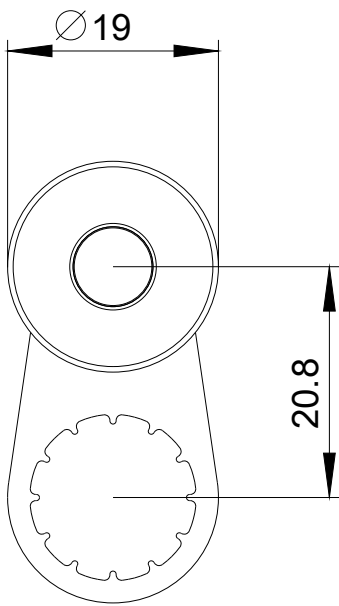
<http://support.automation.siemens.com/WW/CAXorder/default.aspx?lang=en&mlfb=3SE50000AA311AJ0>

Service&Support (Manuals, Certificates, Characteristics, FAQs,...)

<http://support.automation.siemens.com/WW/view/en/3SE50000AA311AJ0/all>

Image database (product images, 2D dimension drawings, 3D models, device circuit diagrams, EPLAN macros, ...)

http://www.automation.siemens.com/bilddb/cax_de.aspx?mlfb=3SE50000AA311AJ0&lang=en



last modified:

16.03.2015