

SIVACON sicube, insulated support, D40x50/ M8 (PE 2 units)

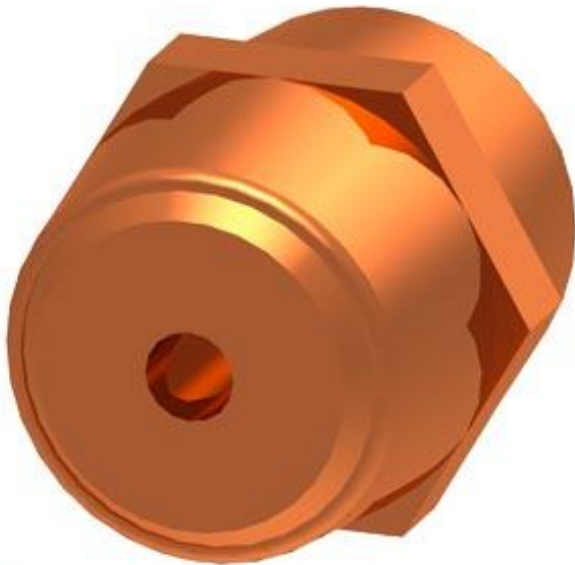


Figure similar

Model	
Product brand name	SIVACON
Design of the product	D40x50 mm / M8 (PE 2 units)
Design of the product / EMC version	No
Product component	No
<ul style="list-style-type: none"> • ventilation 	No
Mechanical Design	
Net weight	200 g
Equipment marking	
<ul style="list-style-type: none"> • acc. to DIN EN 61346-2 	U
<ul style="list-style-type: none"> • acc. to DIN EN 81346-2 	UC

EMC	Declaration of Conformity	Test Certificates	other
Miscellaneous	 EG-Konf.	Special Test Certificate	Miscellaneous

Further information

Information- and Downloadcenter (Catalogs, Brochures,...)

<http://www.siemens.com/lowvoltage/catalogs>

Industry Mall (Online ordering system)

<https://mall.industry.siemens.com/mall/en/en/Catalog/product?mlfb=8MF1000-2VY>

Service&Support (Manuals, Certificates, Characteristics, FAQs,...)

<https://support.industry.siemens.com/cs/ww/en/ps/8MF1000-2VY>

Image database (product images, 2D dimension drawings, 3D models, device circuit diagrams, ...)

http://www.automation.siemens.com/bilddb/cax_en.aspx?mlfb=8MF1000-2VY

CAX-Online-Generator

<http://www.siemens.com/cax>

Tender specifications

<http://www.siemens.com/specifications>

