

Mounting Tube for Stainless Steel Fork Sensor

Z1HT001

Part Number

InoxSens

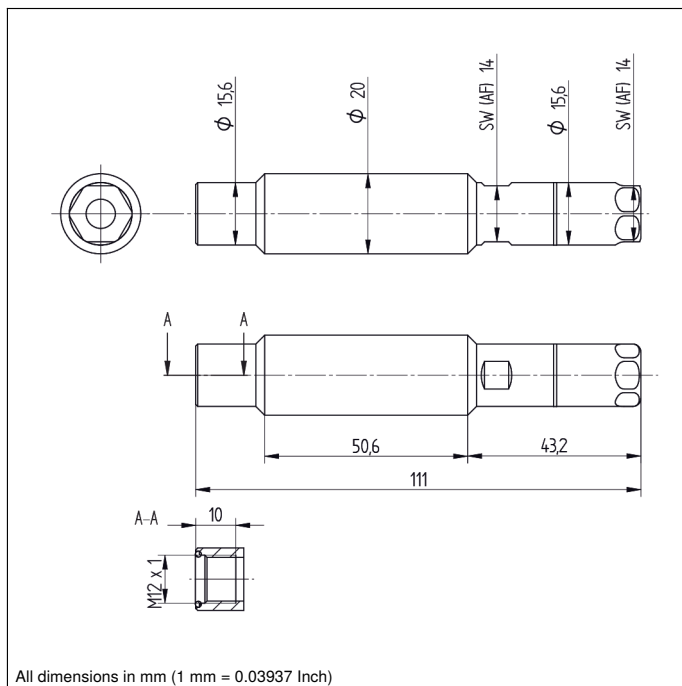


Technical Data

Mechanical Data

Material	Stainless Steel 316L
Material Sealing	Silicone (FDA)
Degree of Protection	IP68/IP69K
with threaded cable gland IP68/IP69K	yes
For cable diameter	3...6,5 mm
Packaging unit	1 Piece
Hygienic Design	<input checked="" type="checkbox"/>
Detergent resistant	<input checked="" type="checkbox"/>
Mounting Number	570
Suitable Mounting Technology No.	140

- Hygienic design makes it easy to clean
- Made with food safe materials that are FDA approved
- Resistant to cleaning agents
- Waterproof (IP68/IP69K)



Suitable for straight cables.

InoxSens is the hygiene series from wenglor. The InoxSens mounting tubes are also part of this complete system, which is seamlessly integrated into the machine. The stainless steel tubes made of V4A (1.4404/316L) are corrosion-free and resistant to cleaning agents, and they provide IP68/IP69K protection for all standard connector cables.

