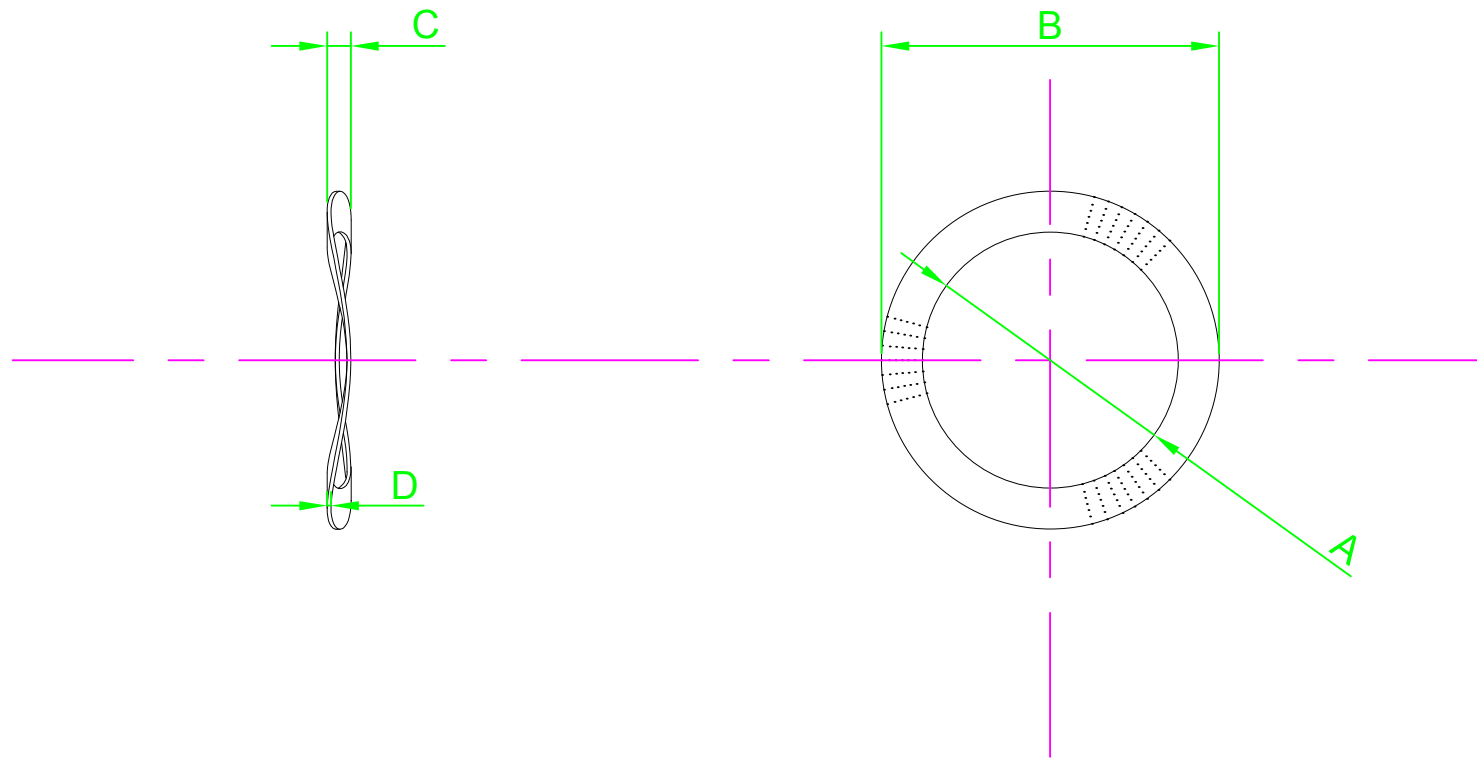


DO NOT SCALE DRAWING

REVISION

A INITIAL DRAWING 28.9.15



Part Number	A Max	B Max	C Max	D Nom
DM2 - CWA2WA - S100	2.3	4.6	0.53	0.16
DM2.5 - CWA2WA - S100	2.8	5.8	0.53	0.16
DM3 - CWA2WA - S100	3.32	6.4	0.61	0.16
DM3.5 - CWA2WA - S100	3.82	6.9	0.79	0.20
DM4 - CWA2WA - S100	4.42	8.1	0.84	0.28
DM5 - CWA2WA - S100	5.42	9.2	0.89	0.30
DM6 - CWA2WA - S100	6.55	11.5	1.14	0.40
DM8 - CWA2WA - S100	8.55	15.0	1.40	0.40
DM10 - CWA2WA - S100	10.68	19.6	1.70	0.55

NOTES:



UNLESS OTHERWISE SPECIFIED:  
DIMENSIONS ARE IN MM (MILLIMETERS).  
SURFACE FINISH:  
TOLERANCES: BS 4463

MATERIAL:  
Stainless Steel A2

TITLE:  
Crinkle Washer BS 4463

	NAME	DATE
DRAWN	Darryl Wilson	28.09.15
CHK'D		
APPVD		

HEAT TREATMENT:  
N/A

DESIGN RIGHT. TR FASTENINGS LTD, 2003  
UNDER NO CIRCUMSTANCES MUST THIS  
DRAWING BE COPIED OR DISCLOSED  
WITHOUT FIRST OBTAINING WRITTEN  
AUTHORITY.

CUSTOMER PART NUMBER:  
N/A

FINISH:  
Self Finish

DRAWING NUMBER:  
DCWA2WA-S100

A4

PROJECTION

