

RoHS
Compliant



MP008144



MP008145



MP008146



MP008147



MP008148



MP008295



MP008296



MP008297



MP008298



MP008299



MP008300

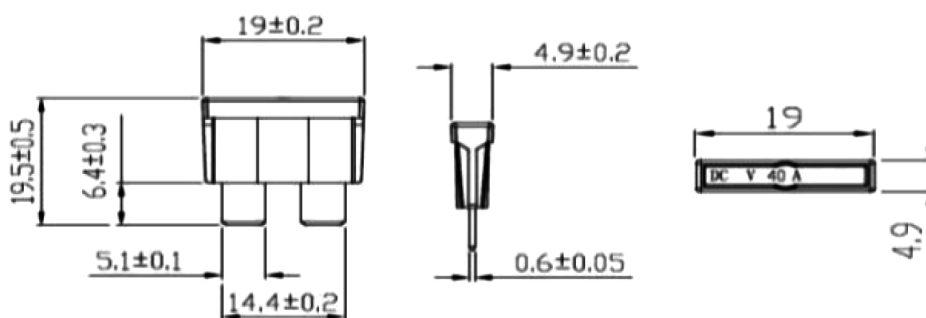
Description

The ATP Style blade fuse rated at 80V, featuring a three part construction with copper contacts for excellent reliability in harsh environment conditions and low voltage drop. Current ratings 3A thru 40A. Filled with arc-quenching material.

Specification

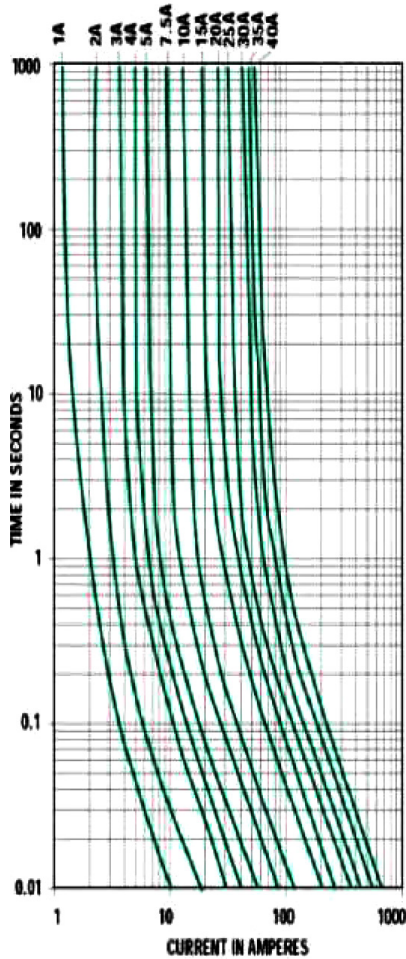
Interrupting Rating	: 1000 A @ 80V DC
Insulating Body	: Out of thermoplastic (UL 94-V0, heat-resistant)
Cover	: Out of thermoplastic (UL 94-V0, heat-resistant) Red, not transparent
Terminals	: Blade contacts, Copper alloy, gal. Sn plated, Edge-protected
Complies with	: UL 248 Special Purpose Fuses
cULus Recognized	: File No. E10480

Diagram

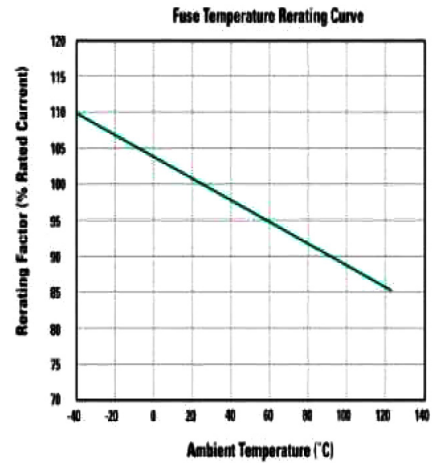


Dimensions : Millimetres

Time-Current Characteristic Curves



Temperature Re-rating Curve



Part Number Table

Description	Part Number
ATP Blade Fuse, 1A, 80V	MP008144
ATP Blade Fuse, 2A, 80V	MP008145
ATP Blade Fuse, 3A, 80V	MP008146
ATP Blade Fuse, 5A, 80V	MP008147
ATP Blade Fuse, 7.5A, 80V	MP008148
ATP Blade Fuse, 10A, 80V	MP008295
ATP Blade Fuse, 15A, 80V	MP008296
ATP Blade Fuse, 20A, 80V	MP008297
ATP Blade Fuse, 25A, 80V	MP008298
ATP Blade Fuse, 30A, 80V	MP008299
ATP Blade Fuse, 40A, 80V	MP008300

Important Notice : This data sheet and its contents (the "Information") belong to the members of the AVNET group of companies (the "Group") or are licensed to it. No licence is granted for the use of it other than for information purposes in connection with the products to which it relates. No licence of any intellectual property rights is granted. The Information is subject to change without notice and replaces all data sheets previously supplied. The Information supplied is believed to be accurate but the Group assumes no responsibility for its accuracy or completeness, any error in or omission from it or for any use made of it. Users of this data sheet should check for themselves the Information and the suitability of the products for their purpose and not make any assumptions based on information included or omitted. Liability for loss or damage resulting from any reliance on the Information or use of it (including liability resulting from negligence or where the Group was aware of the possibility of such loss or damage arising) is excluded. This will not operate to limit or restrict the Group's liability for death or personal injury resulting from its negligence. Multicomp Pro is the registered trademark of Premier Farnell Limited 2019.